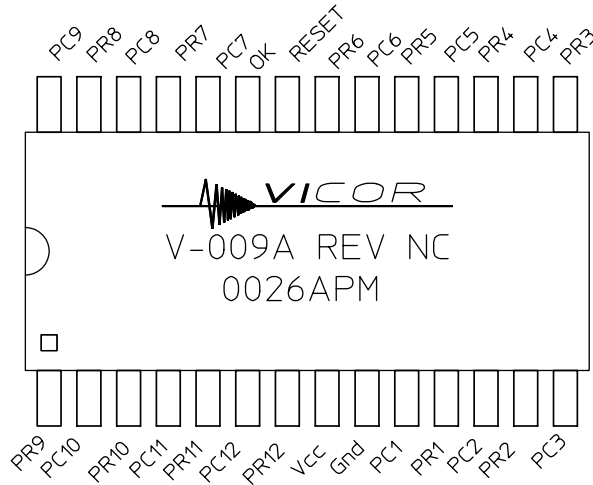

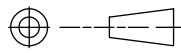


VICOR CONFIDENTIAL THIS DOCUMENT AND THE DATA DISCLOSED HEREIN OR HEREWITH IS NOT TO BE REPRODUCED, USED, OR DISCLOSED IN WHOLE OR IN PART TO ANYONE WITHOUT PERMISSION OF VICOR CORP.	REV.	DESCRIPTION	DATE	APVD	
	#1	INITIAL RELEASE	JS	07/14/98	JRS
	#2	ADDED LOGO & NOMENCLATURE	GCK	12/23/03	CF



NOTES

1. VENDER AMI
2. VENDER PART NUMBER 11475-002
3. DESCRIPTION, 28 PIN SOIC
PHASE ARRAY CONTROLLER

					
DRAWN BY	DATE	THIRD ANGLE PROJECTION		28 LEAD SOIC PAC	
<i>saxelby</i>	<i>07/98</i>				
UNLESS OTHERWISE SPECIFIED DIMENSIONS ARE IN INCHES- TOLERANCES ARE: FRACTIONS DECIMALS ANGLES $\pm 1/64$.XX= .01 $\pm 1^\circ$.XXX= .005		SIZE	FSCM NO.	DWG NO	REV
		A	67131	19077	# 2
		DO NOT SCALE DRAWING	SCALE	X	SHEET 1 OF 1