

TUF2D1
Hard Case Flashlight™



Specifications

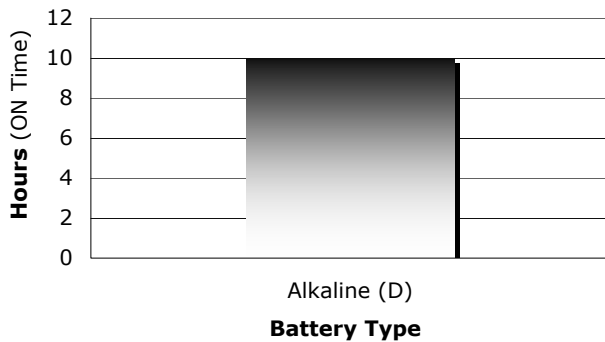
- Designation:** Energizer Flashlight
- Power Source:** Two D Size Batteries (ANSI/NEDA 13 Series)
- Lamp:** No. KPR-102 (Rated at 2.4V, 0.7A)
- Lamp Life:** Rated at 15 Hours
- Lamp Output:** Rated at 16.5 Lumens
- Typical Weight:** 500 grams (17.7 oz.) (without batteries)

Features

- Impact Resistant
- Steel Plate Bolted Sides
- Waterproof
- Shatterproof Lens
- Survives a 15 Foot Drop
- Krypton Bulb

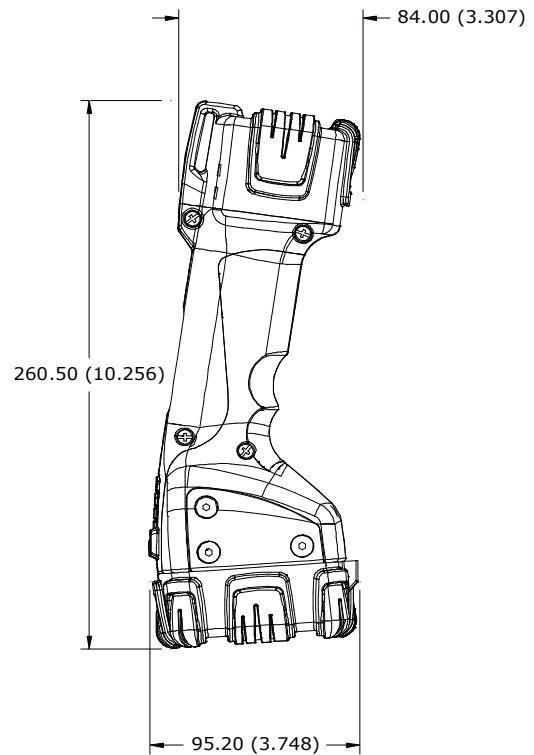
Typical Battery Service

700 mA Continuous
at 21°C (70°F)



Physical Dimensions

mm (inches)



Typical Battery Service to 0.9V (per battery) at 21°C (70°F)

<u>Schedule</u>	<u>Battery Type</u>	<u>Hours (ON Time)</u>
700 mA Continuous	E95	10

Important Notice

This datasheet contains information specific to flashlights manufactured at the time of its publication.
Contents herein do not constitute a warranty.
Copyright Eveready Battery Co. Inc. - All Rights Reserved