

VICOR CONFIDENTIAL

THIS DOCUMENT AND THE DATA DISCLOSED HEREIN OR HEREWITH IS NOT TO BE REPRODUCED, USED, OR DISCLOSED IN WHOLE OR IN PART TO ANYONE WITHOUT PERMISSION OF VICOR CORP.

REV.	DESCRIPTION	DATE	APPROVED
01	RELEASED PER E0130346	DPK 01/25/02	GCK

ABSOLUTE MAXIMUM RATINGS:

Operating Ambient Temperature range (T _A).....	-55 to + 85	°C
Storage Temperature Range (T _{STG}).....	-55 to +125	°C
Temperature Coefficient (αV) of Clamping Voltage (V _C) at Specified Test Current.....	<0.01	%/°C
Hi-Pot Encapsulation (Isolation Voltage Capability).....	2500	V
(Dielectric must withstand indicated DC voltage for one minute per MIL-STD-202 Method 301)		
Insulation Resistance.....	1000	MΩ

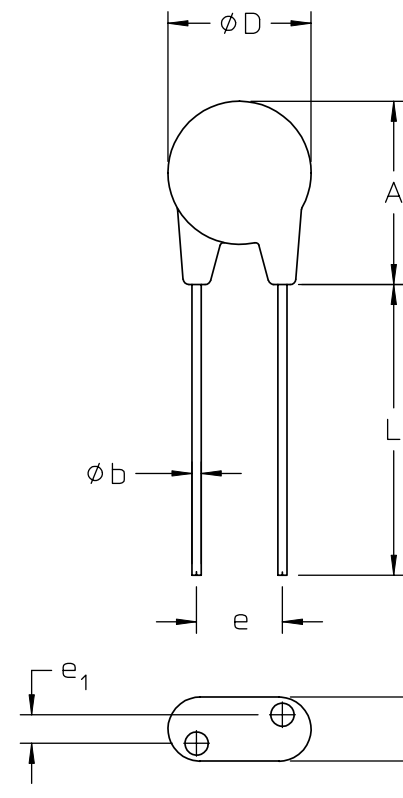
MAXIMUM RATING @ Ta = 85 °C

Parameter	Symbol	Test Condition	OPTIONS		Units
			-056	-120	
Continuous AC Voltage	V _{MACRMS}		35	75	V
Continuous DC Voltage	V _{MDC}		45	102	V
Transient Single Pulse Energy	W _{TM}	10 x 1000 μs current wave (1)	5.5	12	J
Transient Peak Pulse Current	I _{TM}	8 x 20 μs current wave	500	2500	A

(1) Average power dissipation of transients not to exceed 0.4W

ELECTRICAL SPECIFICATIONS @ Ta = 25 °C

Parameter	Symbol	Test Condition	20461-056			20461-120			Units
			Min	Typ	Max	Min	Typ	Max	
Varistor Voltage	V _{NOM}	1mA DC	50		62	108		132	V
Clamping Voltage	V _C	8 x 20 μs current wave			110			200	V
Peak Current at V _C	I _{PK}				5			25	A
Capacitance	C	f = 1MHz		1800			750		pF



DIMENSIONS	MILLIMETER (INCHES)	
	MIN	MAX
A	----	16 (.630)
Dia. D	----	12.5 (.492)
e	6.5 (.256)	8.5 (.335)
e ₁	1.5 (.059)	3.5 (.138)
E	----	5.6 (.220)
Dia. b	.76 (.030)	.86 (.034)
L	25.4 (1.00)	----

DRAWN BY D.P. KELLY	DATE 1/02				
UNLESS OTHERWISE SPECIFIED DIMENSIONS ARE IN MM/(IN)-TOLERANCES ARE: DECIMALS ANGLES .XX= ± 0.254 [.01] ±1° .XXX= ± 0.127 [.005]					
VARISTOR, RADIAL LEAD MOV, LINE-VOLTAGE		SIZE B	FSCM NO. 67131	DWG NO 20461-XXX	REV 01
THIRD ANGLE PROJECTION 		SCALE 2X	SHEET 1 OF 1		

DO NOT SCALE DRAWING