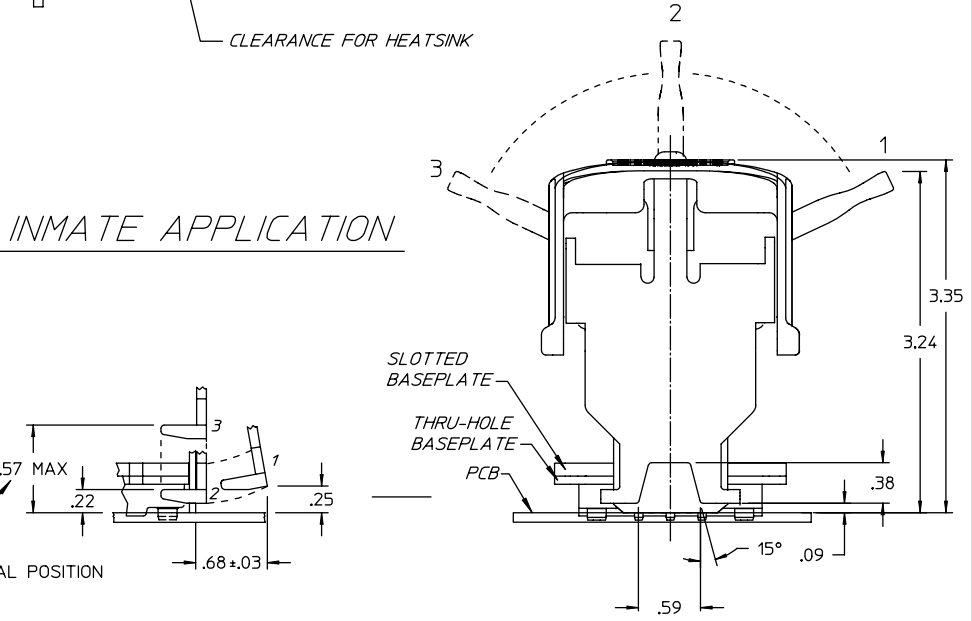
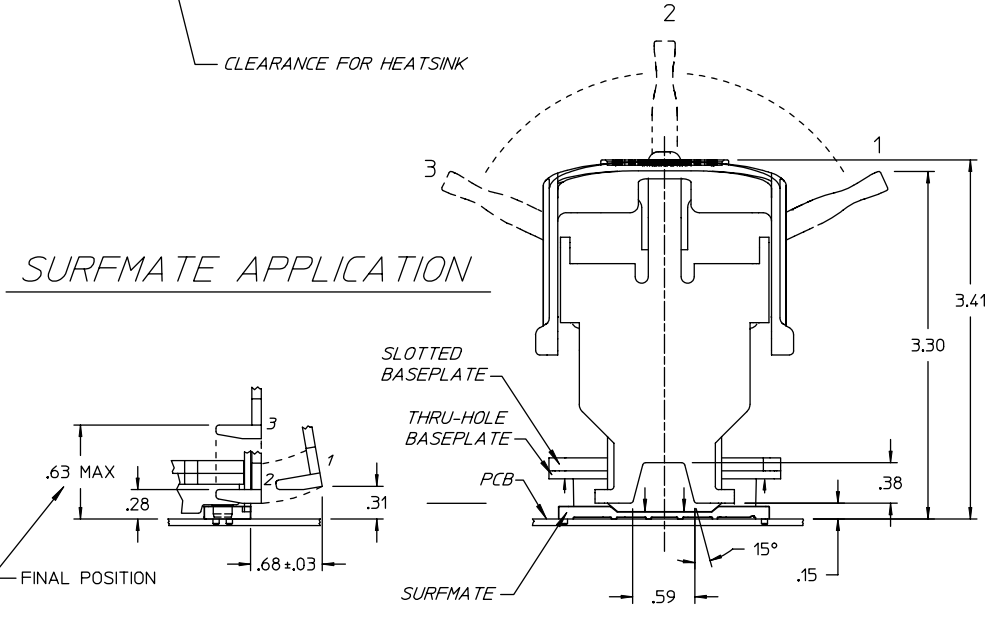
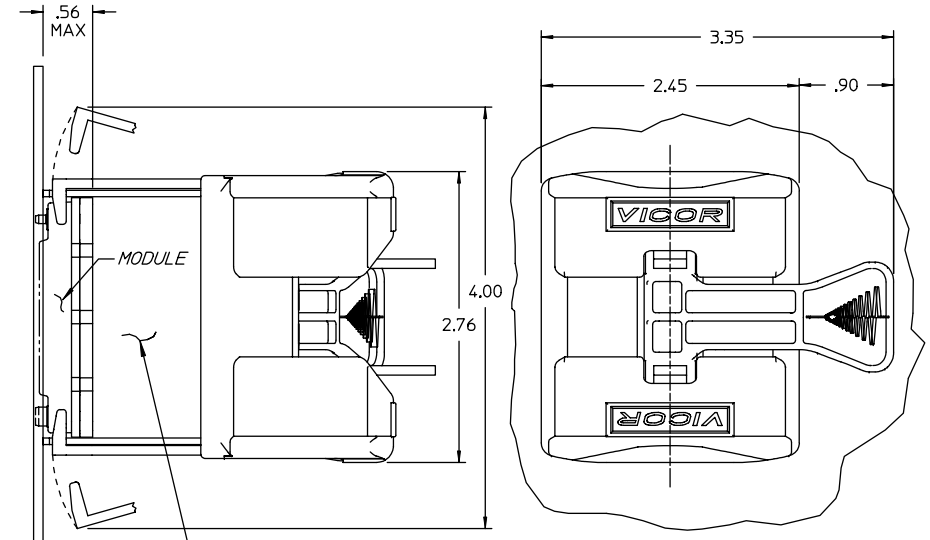
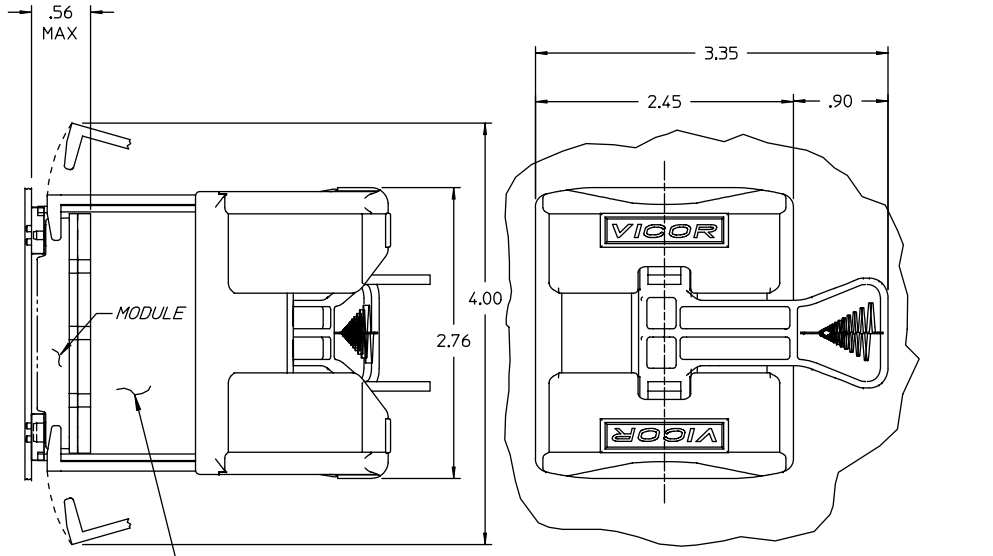


THIS DOCUMENT AND THE DATA DISCLOSED HEREIN OR HEREWITH IS NOT TO BE REPRODUCED, USED, OR DISCLOSED IN WHOLE OR IN PART TO ANYONE WITHOUT PERMISSION OF VICOR CORP.

REV.	DESCRIPTION	DATE	APPROVED
#1	DRAWN FOR DEVELOPMENT	LDN 11/27/00	SWN



- NOTES:
 1. MATERIAL:
 FRAME & HOOKS: 1020 CRS
 HANDLE, CAMS, & CAM BLOCKS: PPS RYTON R4 (BLACK)
 COVER: URETHANE, BRS 200 (BLACK)
 2. ALL DIMENSIONS ARE INCH.
 3. HOOK TRAVEL WORKS WITH ALL SCENARIOS.

Acceptable Applications						
Mounting Style	Pin Style	Baseplate Type			Heatsink Type	
		Slot	Thru	Threaded	Thru	Threaded
In-Board (InMATE)	I	X	X	X	X	X
On-Board (InMATE)	I	X	X	X	X	X
	II	X	X	X	X	X
Surface Mount (SurfMATE)	I	X	X	X	X	X

DRAWN BY LAP NGUYEN	DATE 11/00
UNLESS OTHERWISE SPECIFIED DIMENSIONS ARE IN INCHES- FRACTIONS DECIMALS ANGLES 4/164 XX+.01 ±1° XXX+.005	
THIRD ANGLE PROJECTION	SCALE 1:1
DO NOT SCALE DRAWING	

VICOR

**APPS DWG, VI-700
MODULE EXCHANGE TOOL**

SIZE C 67131	DWG NO 23285	REV # 1
SHEET 1 OF 1		