

Battery Clamp for CF8 Fuse Rated 58V

RoHS



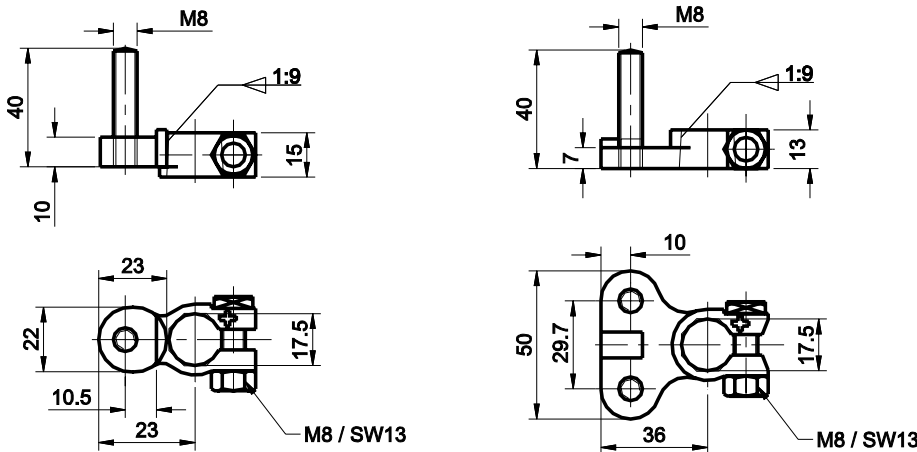
Specifications

| | |
|-------------------------|--|
| Material: | Brass G-Cu Zn 33 Pb |
| Starting torque: | 10 Nm at batterypole, 12 Nm Compact Fuse |
| Packaging unit: | Pos 1: 100 pieces |
| | Pos 2: 50 pieces |

Battery clamp for CF8 Fuse links. Both battery clamps have an integrated twisted protection for the CF8-fuse link.

Batterieklemme für CF8-Sicherungen. Beide Batterieklemmer haben einen integrierten Verdrehschutz für die CF8-Sicherungen.

Dimensions in mm / Maße in mm



| Part Number Artikel-Nr. | Description Beschreibung | Fuse Rating Nennstrom |
|----------------------------|-----------------------------|--------------------------|
| 255.1000.000_ | Battery clamp 1 pole | max. 250 A (23+5°C) |
| 255.2000.000_ | Battery clamp 2 pole | max. 250 A (23+5°C) |

CF8-fuses links only in conjunction with Insulating nuts 255.0808.0001, 255.0899.4001 or 255.0899.5001.

Corresponding CF8-fuse links see Section "Bolt-down Fuses."

Insert CF8-Fuse links only in conjunction with the insulating nut see next page.

Last figure of part number = packaging code, see Section "Packaging Index," pg. 157.