

MODEM MAGNETICS

V.90 Modem Transformers

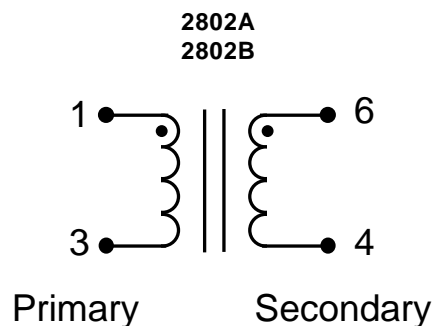
TM00408

- Provide isolation and balance while minimizing signal distortion and insertion loss in high-speed modem applications
- Qualified per Bellcore TR-TSY-000357-1
- Approved by UL and CSA
- 2802A transformer is designed to match a 600Ω line to a 536Ω load
- 2802B transformer is designed to match a 600Ω line to a 301Ω load
- Minimum interwinding breakdown voltage of 1000 Vrms

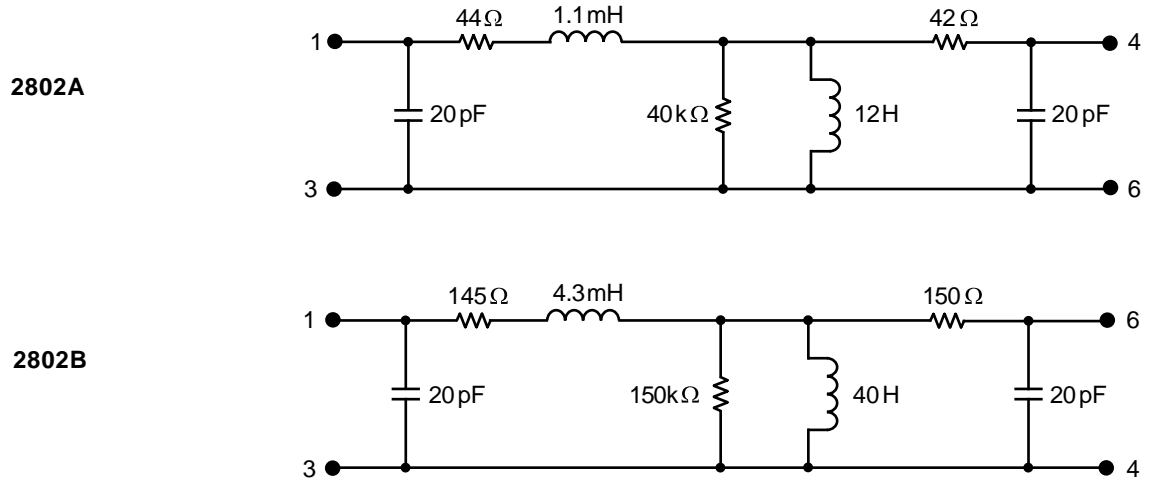
ELECTRICAL SPECIFICATIONS at 25° C

Part Number	Turns Ratio ± 2%	Insertion Loss dB	Return Loss dB	Frequency Response dB	DCR Ω max		Harmonic Distortion dB	Longitudinal Balance dB
		@ 1 kHz	300 Hz - 3500 Hz	200 Hz - 5 kHz	Pri	Sec	0 dBm, 600 Hz	300 Hz - 3500 Hz
2802A	1 : 1	≤ 0.80	≥ 30	≤ 0.1	48	48	≤ -82	≥ 60
2802B	1 : 1	≤ 2.8	≥ 20	≤ 0.2	165	170	≤ -90	≥ 60

SCHEMATIC

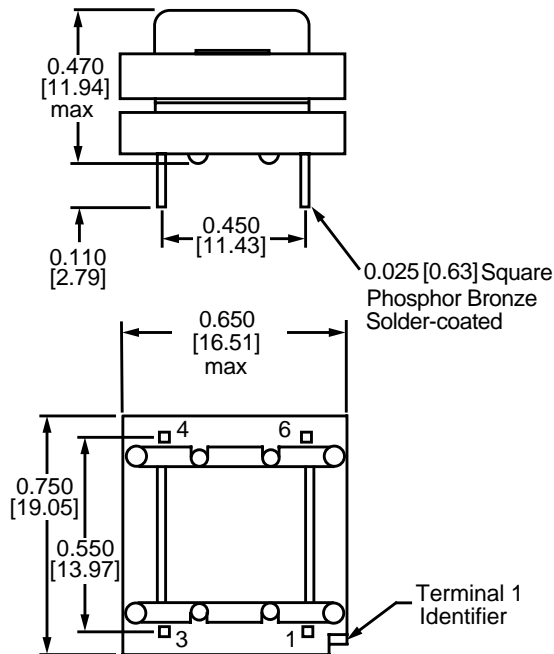


TYPICAL SPICE TRANSMISSION MODEL



MECHANICAL

2802A
2802B



Note: Unless otherwise specified, dimensions are nominal and in inches [millimeters].

CORPORATE

Bel Fuse Inc.
198 Van Vorst Street
Jersey City, NJ 07302
Tel 201-432-0463
Fax 201-432-9542
www.belfuse.com

FAR EAST

Bel Fuse Ltd.
8F / 8 Luk Hop Street
San Po Kong
Kowloon, Hong Kong
Tel 852-2328-5515
Fax 852-2352-3706
www.belfuse.com

EUROPE

Bel Fuse Europe Ltd.
Preston Technology Management Centre
Marsh Lane, Suite G7, Preston
Lancashire, PR1 8UD, U.K.
Tel 44-1772-556601
Fax 44-1772-888366
www.belfuse.com