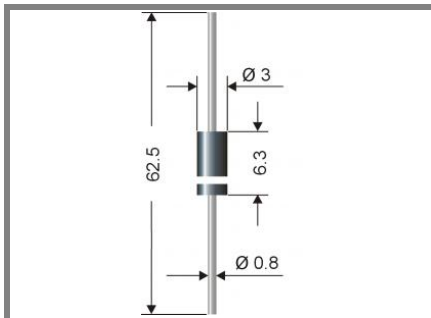


3EZ 1...3EZ 200(3W)



Axial lead diode

Zener silicon diodes

3EZ 1...3EZ 200(3W)

Maximum Power Dissipation: 3 W

Nominal Z-voltage: 1 to 200 V

Features

- Max. solder temperature: 260°C
- Plastic material has UL classification 94V-0
- Standard Zener voltage tolerance is graded to the international E 24 (5%) standard. Other voltage tolerances and higher Zener voltages on request.

Mechanical Data

- Plastic case DO-15 / DO-204AC
- Weight approx.: 0,4 g
- Terminals: plated terminals solderable per MIL-STD-750
- Mounting position: any
- Standard packaging: 4000 pieces per ammo

- 1) Valid, if leads are kept at ambient temperature at a distance of 10 mm from case
- 2) Tested with pulses
- 3) The 3EZ1 is a diode, operated in forward. The cathode, indicated by a ring, is to be connected to the negative pole.

Absolute Maximum Ratings		$T_c = 25^\circ\text{C}$, unless otherwise specified	
Symbol	Conditions	Values	Units
P_{tot}	Power dissipation, $T_A = 50^\circ\text{C}$ ¹⁾	3	W
P_{ZSM}	Non repetitive peak power dissipation, $t < 10$ ms	60	W
R_{thA}	Max. thermal resistance junction to ambient	45	K/W
R_{thT}	Max. thermal resistance junction to terminal	15	K/W
T_j	Operating junction temperature	- 50 ... + 150	°C
T_s	Storage temperature	- 50 ... + 175	°C

Type	Zener Voltage ²⁾ $V_Z@I_{ZT}$		Test curr. I_{ZT} mA	Dyn. Resistance $Z_{ZT}@I_{ZT}$ Ω	Temp. Coeffiz. of V_Z a_{VZ} $10^{-4}/^\circ\text{C}$	Z- curr. ¹⁾ $T_A = 50^\circ\text{C}$		
	$V_{Z\text{min}}$ V	$V_{Z\text{max}}$ V				I_R μA	V_R V	$I_{Z\text{max}}$ mA
3EZ 1 ³⁾	0,71	0,82	100	0,5(<1)	- 26 ... - 16	1	-	2000
3EZ 10	9,4	10,6	50	2(<4)	+ 5 ... + 9	1	> 5	264
3EZ 11	10,4	11,6	50	4(<7)	+ 5 ... + 10	1	> 5	241
3EZ 12	11,4	12,7	50	4(<7)	+ 5 ... + 10	1	> 7	220
3EZ 13	12,4	14,1	50	5(<10)	+ 5 ... + 10	1	> 7	199
3EZ 15	13,8	15,6	50	5(<10)	+ 5 ... + 10	1	> 10	179
3EZ 16	15,3	17,1	25	6(<15)	+ 6 ... + 11	1	> 10	164
3EZ 18	16,8	19,1	25	6(<15)	+ 6 ... + 11	1	> 10	147
3EZ 20	18,8	21,2	25	6(<15)	+ 6 ... + 11	1	> 10	132
3EZ 22	20,8	23,3	25	6(<15)	+ 6 ... + 11	1	> 12	120
3EZ 24	22,8	25,6	25	7(<15)	+ 6 ... + 11	1	> 12	109
3EZ 27	25,1	28,9	25	7(<15)	+ 6 ... + 11	1	> 14	97
3EZ 30	28	32	25	8(<15)	+ 6 ... + 11	1	> 14	88
3EZ 33	31	35	25	8(<15)	+ 6 ... + 11	1	> 17	80
3EZ 36	34	38	10	16(<40)	+ 6 ... + 11	1	> 17	74
3EZ 39	37	41	10	20(<40)	+ 6 ... + 11	1	> 20	68
3EZ 43	40	46	10	24(<45)	+ 7 ... + 12	1	> 20	61
3EZ 47	44	50	10	24(<45)	+ 7 ... + 12	1	> 24	56
3EZ 51	48	54	10	25(<60)	+ 7 ... + 12	1	> 24	52
3EZ 56	52	60	10	25(<60)	+ 7 ... + 12	1	> 28	47
3EZ 62	58	66	10	25(<80)	+ 8 ... + 13	1	> 28	42
3EZ 68	64	72	10	25(<80)	+ 8 ... + 13	1	> 34	39
3EZ 75	70	79	10	30(<100)	+ 8 ... + 13	1	> 34	35
3EZ 82	77	88	10	30(<100)	+ 8 ... + 13	1	> 41	32
3EZ 91	85	96	5	40(<200)	+ 9 ... + 13	1	> 41	29
3EZ 100	94	106	5	60(<200)	+ 9 ... + 13	1	> 50	26
3EZ 110	104	116	5	80(<250)	+ 9 ... + 13	1	> 50	24
3EZ 120	114	127	5	80(<250)	+ 9 ... + 13	1	> 60	22
3EZ 130	124	141	5	90(<300)	+ 9 ... + 13	1	> 60	20
3EZ 150	138	156	5	100(<300)	+ 9 ... + 13	1	> 75	18
3EZ 160	153	171	5	110(<350)	+ 9 ... + 13	1	> 75	16
3EZ 180	168	191	5	120(<350)	+ 9 ... + 13	1	> 90	15
3EZ 200	188	212	5	150(<350)	+ 9 ... + 13	1	> 90	13