

No. 523 / PIPclip lead free



Specifications

Packaging

S00 blister tape (1x800 pcs.)
reel diameter 380 mm
tape width 16 mm

Mounting

PC Board, 5,2 mm pin spacing
Solder pins 0.4 x 1.2 mm

Materials

copper alloy, solderable tinned

Electrical Data (23 °C)

Rated Voltage: 250 V
Max. Current/Power: 6.3 A/2.5 W

Minimum Cross Section

Conducting path - 0.2 mm²

Solderability

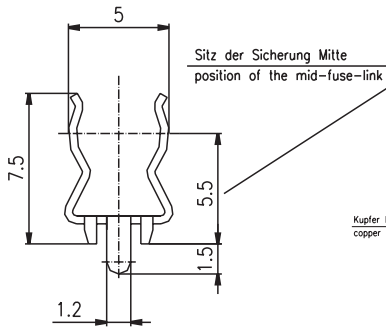
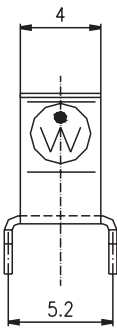
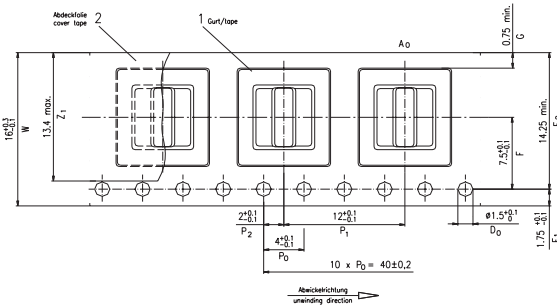
235 °C, 2 s (IEC 60068-2-20)

Soldering Heat Resistance

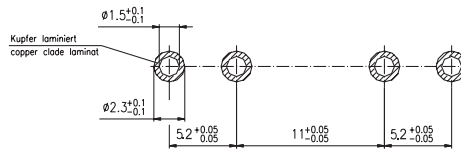
260 °C, 10 s (IEC 60068-2-20)

Unit Weight

0.4 g



Example for PC Board



Order-Information

Qty.	Order-Number	Series		Packaging
		523	0000	S00

Specifications are subject to change without notice

Note: 1.00 means the number one with two decimal places. 1,000 means the number one thousand.