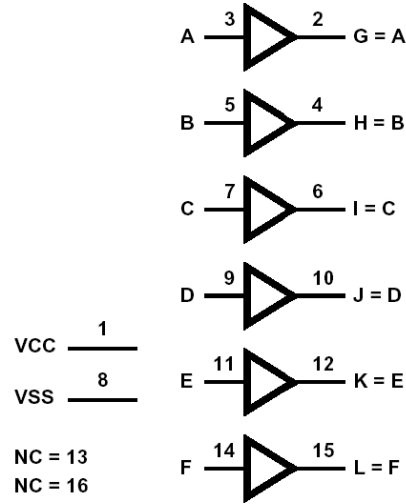
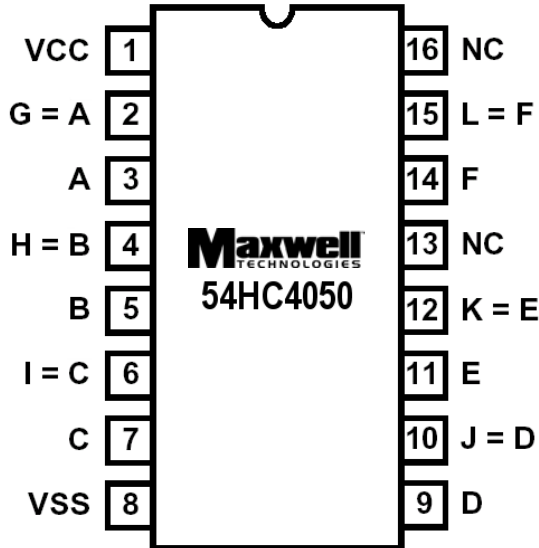


54HC4050

CMOS Logic Hex Non-Inverting Buffers



Logic Diagram

FEATURES:

- High speed CMOS logic hex non-inverting buffers
- RAD-PAK® radiation hardened against natural space radiation
- Single Event Effects:
 - SEL: > 120 MeV/mg/cm²
- Total dose hardness:
 - > 100 Krad (Si), depending upon space mission
- Package:
 - 16 Pin RAD-PAK® Flat Pack
- Typical propagation delay:
 - 6ns at $V_{CC} = 5V$, $C_L = 15pF$, $T_A = 25^\circ C$
- High-to-Low voltage level converter for up to $V_I = 16V$
- Fanout (over temperature range)
 - 10 LSTTL loads (Standard Outputs)
 - 15 LSTTL loads (Bus Driver Outputs)
- Balanced propagation delay and transition times
- Significant power reduction compared to LSTTL logic ICs
- 2V to 6V operation
- High noise immunity
- $-N_{IL} = 30\%$, $N_{IH} = 30\%$ of V_{CC} at $V_{CC} = 5V$

DESCRIPTION:

Maxwell Technologies' 54HC4050 high speed CMOS Logic Hex Non-Inverting Buffers features a greater than 100 krad(Si) total dose tolerance, depending upon space mission. These parts have a modified input protection structure that enables them to be used as logic level translators which will convert high-level logic to a low-level logic while operating off the low-level logic supply. For example, 15V input pulse levels can be down-converted to 0V to 5V logic levels. The modified input protection structure protects the input from negative electrostatic discharge. The 54HC4050 can be used as simple buffers or inverters without level translation.

Maxwell Technologies' patented RAD-PAK® packaging technology incorporates radiation shielding in the microcircuit package. It eliminates the need for box shielding while providing the required radiation shielding for a lifetime in orbit or space mission. In a GEO orbit, RAD-PAK provides greater than 100 krad (Si) radiation dose tolerance. This product is available with screening up to Class S.

TABLE 1. 54HC4050 PINOUT DESCRIPTIONS

PIN	SYMBOL	DESCRIPTION
1	V_{CC}	Power supply
8	V_{SS}	Ground
13, 16	NC	Not Connected
3, 5, 7, 9, 11, 14	A - F	Inputs
2	G = A	Buffered Output
4	H = B	Buffered Output
6	I = C	Buffered Output
10	J = D	Buffered Output
12	K = E	Buffered Output
15	L = F	Buffered Output

TABLE 2. 54HC4050 ABSOLUTE MAXIMUM RATINGS

PARAMETER	SYMBOL	MIN	MAX	UNIT
Storage Temperature	T_S	-65	150	°C
Operating Temperature Range	T_A	-55	125	°C
DC Supply Voltage	V_{CC}	-0.5	7.0	V
DC Input Diode Current For $V_I < -0.5V$ or $V_I > V_{CC} + 0.5V$	I_{IK}	-20	+20	mA
DC Output Diode Current For $V_O < -0.5V$ or $V_O > V_{CC} + 0.5V$	I_{OK}	-20	+20	mA
DC Output Source or Sink Current per Output Pin For $V_O > -0.5V$ or $V_O < V_{CC} + 0.5V$	I_O	-25	+25	mA
DC V_{CC} or Ground Current	I_{CC} or I_{GND}	-50	+50	mA

TABLE 3. DELTA LIMITS

PARAMETER	VARIATION
I_{CC}	±10% of specified value in Table 5

TABLE 4. 54HC4050 RECOMMENDED OPERATING CONDITIONS

PARAMETER	SYMBOL	MIN	MAX	UNIT
Supply Voltage	V_{CC}	2	6	V
DC Input or output Voltage	V_I, V_O	0	V_{CC}	V
Input Rise and Fall Time 2V 4.5V 6V		--	1000 500 400	ns
Temperature Range	T_A	-55	125	°C

TABLE 5. 54HC4050 DC ELECTRICAL CHARACTERISTICS

($V_{CC} = 5V \pm 10\%$, $T_A = -55$ TO 125°C , UNLESS OTHERWISE SPECIFIED)

PARAMETER	SYMBOL	TEST CONDITIONS	MIN	MAX	UNIT		
High Level Output Voltage CMOS Loads	V_{OH}	$V_I = V_{IH}$ or V_{IL} , $I_O = -0.02\text{mA}$ $V_{CC} = 2\text{V}$ $V_{CC} = 4.5\text{V}$ $V_{CC} = 6\text{V}$	1.9 4.4 5.9	-- -- --	V		
High Level Output Voltage TTL Loads		$V_I = V_{IH}$ or V_{IL} , $I_O = -4\text{mA}$ $V_{CC} = 4.5\text{V}$	+25°C -55 to 125°C	3.98 3.7		-- --	
		$V_I = V_{IH}$ or V_{IL} , $I_O = -5.2\text{mA}$ $V_{CC} = 6\text{V}$	+25°C -55 to 125°C	5.48 5.2		-- --	
Low Level Output Voltage CMOS Loads		$V_I = V_{IH}$ or V_{IL} , $I_O = -0.02\text{mA}$ $V_{CC} = 2\text{V}$ $V_{CC} = 4.5\text{V}$ $V_{CC} = 6\text{V}$				0.1 0.1 0.1	V
Low Level Output Voltage TTL Loads	$V_I = V_{IH}$ or V_{IL} , $I_O = 4\text{mA}$ $V_{CC} = 4.5\text{V}$	+25°C -55 to 125°C	0.26 0.4	-- --			
	$V_I = V_{IH}$ or V_{IL} , $I_O = 5.2\text{mA}$ $V_{CC} = 6\text{V}$	+25°C -55 to 125°C	0.36 0.4	-- --			
High Level Input Voltage	V_{IH}	$V_{CC} = 2\text{V}$ $V_{CC} = 4.5\text{V}$ $V_{CC} = 6\text{V}$	1.5 3.15 4.2	-- -- --	V		
Low Level Input Voltage		V_{IL}	$V_{CC} = 2\text{V}$ $V_{CC} = 4.5\text{V}$ $V_{CC} = 6\text{V}$	-- -- --		0.5 1.35 1.8	V
Input Leakage Current			$V_{CC} = 6\text{V}$, $V_I = V_{CC}$ or GND	+25°C -55 to 125°C		-- --	
	$V_{CC} = 6\text{V}$, $V_I = 15\text{V}$		+25°C -55 to 125°C	-- --	± 0.5 ± 5		

TABLE 5. 54HC4050 DC ELECTRICAL CHARACTERISTICS

($V_{CC} = 5V \pm 10\%$, $T_A = -55$ TO 125°C , UNLESS OTHERWISE SPECIFIED)

PARAMETER	SYMBOL	TEST CONDITIONS	MIN	MAX	UNIT	
Quiescent Device Current	I_{CC}	$V_I = V_{CC}$ or GND, $I_O = 0\text{mA}$ $V_{CC} = 6V$	+25°C	--	2	μA
			-55 to 125°C	--	40	

TABLE 6. 54HC4050 AC ELECTRICAL CHARACTERISTICS

($V_{CC} = 5V \pm 10\%$, $T_A = -55$ TO 125°C , UNLESS OTHERWISE SPECIFIED)

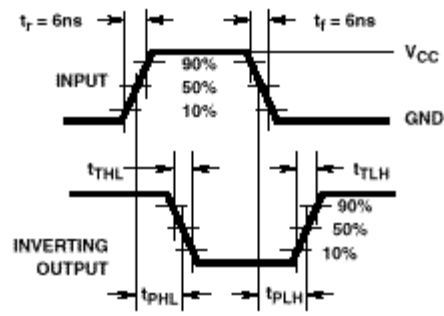
PARAMETER	SYMBOL	TEST CONDITION	MIN	MAX	UNIT	
Propagation Delay nA to nY	t_{PLH}, t_{PHL}	$C_L = 50\text{pF}$ $V_{CC} = 2V$	+25°C	--	85	ns
			-55 to 125°C	--	130	
		$V_{CC} = 4.5V$	+25°C	--	17	
			-55 to 125°C	--	26	
		$V_{CC} = 6V$	+25°C	--	14	
			-55 to 125°C	--	22	
Transition Times (Figure 1)	t_{TLH}, t_{THL}	$C_L = 50\text{pF}$ $V_{CC} = 2V$	+25°C	--	75	ns
			-55 to 125°C	--	110	
		$V_{CC} = 4.5V$	+25°C	--	15	
			-55 to 125°C	--	22	
		$V_{CC} = 6V$	+25°C	--	13	
			-55 to 125°C	--	19	

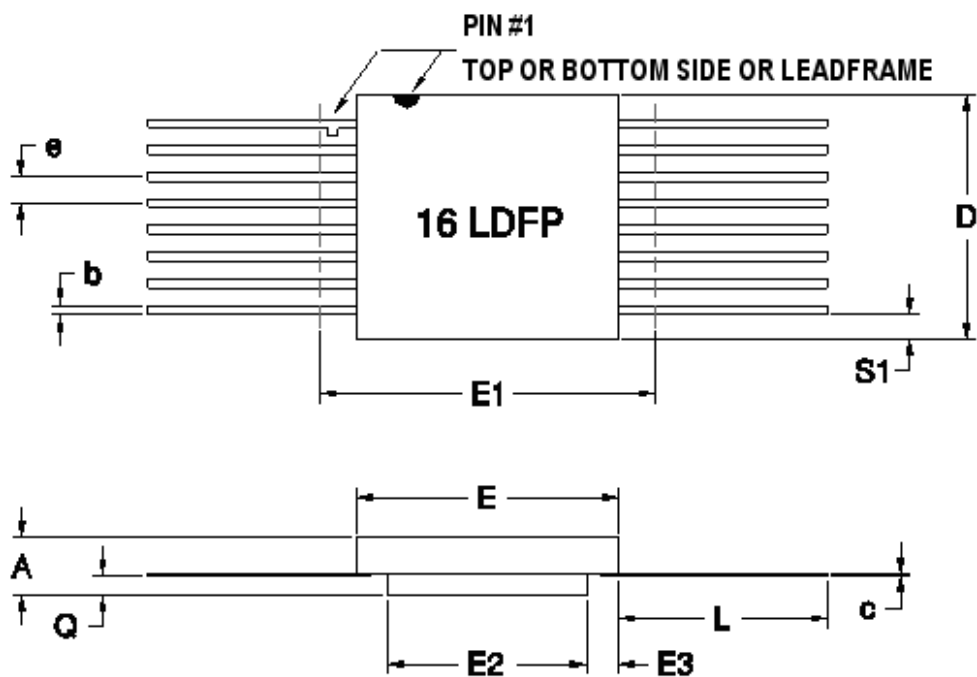
TABLE 7. 54HC4050 CAPACITANCE¹

PARAMETER	SYMBOL	TEST CONDITIONS	MAX	UNIT
Input Capacitance	C_I		10	pF
Power Dissipation Capacitance ^{2, 3}	C_{PD}	$V_{CC} = 5V$	35	pF

1. Guaranteed by design.
2. C_{PD} is used to determine the dynamic power consumption, per gate.
3. $P_D = V_{CC}^2 f_i (C_{PD} + C_L)$ where f_i = Input Frequency, C_L = Output Load Capacitance, V_{CC} = Supply Voltage.

FIGURE 1. TRANSITION TIMES AND PROPOGATION DELAY TIMES, COMBINATION LOGIC





16-PIN RAD-PAK® FLAT PACKAGE

SYMBOL	DIMENSION		
	MIN	NOM	MAX
A	0.115	0.135	0.150
b	0.015	0.017	0.019
c	0.004	0.005	0.007
D	0.407	0.415	0.423
E	0.275	0.280	0.285
E1	--	--	0.500
E2	0.150	0.156	0.162
E3	0.030	0.062	--
e	0.050 BSC		
L	0.325	0.335	0.345
Q	0.020	0.033	0.045
S1	0.005	0.024	0.045
N	16		

F16-01

Note: All dimensions in inches

Important Notice:

These data sheets are created using the chip manufacturer's published specifications. Maxwell Technologies verifies functionality by testing key parameters either by 100% testing, sample testing or characterization.

The specifications presented within these data sheets represent the latest and most accurate information available to date. However, these specifications are subject to change without notice and Maxwell Technologies assumes no responsibility for the use of this information.

Maxwell Technologies' products are not authorized for use as critical components in life support devices or systems without express written approval from Maxwell Technologies.

Any claim against Maxwell Technologies must be made within 90 days from the date of shipment from Maxwell Technologies. Maxwell Technologies' liability shall be limited to replacement of defective parts.

Product Ordering Options

