

Key Parameters

V_{RRM}	=	5000 V
I_{FAVM}	=	690 A
I_{FSM}	=	7.0 kA
V_{F0}	=	1.10 V
r_F	=	1.01 mΩ

Avalanche Rectifier Diode

5SDA 06D5007

Doc. No. 5SYA 1125 - 01 Apr-98

Features

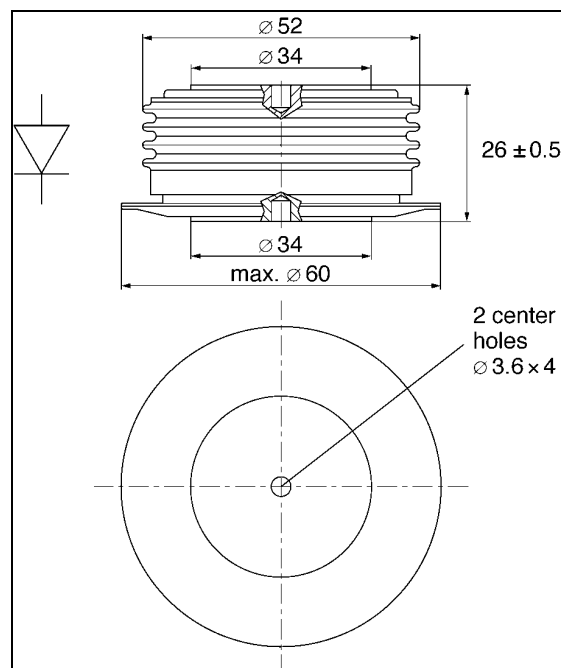
- Optimized for line frequency rectifiers
- Low on-state voltage, narrow V_F -bands for parallel operation
- Self protected against transient overvoltages
- Guaranteed maximum avalanche power dissipation
- Industry standard housing

Blocking

Part number	5SDA 06D5007	5SDA 06D4407	5SDA 06D3807	Condition
V_{RRM}	5000	4400	3800	$f = 50 \text{ Hz}$ $t_P = 10 \text{ ms}$
V_{RSM}	5500	4840	4180	$t_P = 10 \text{ ms}$ $T_j = 160^\circ\text{C}$
I_{RRM}	$\leq 50 \text{ mA}$			V_{RRM} $T_j = 160^\circ\text{C}$
P_{RSM}	$\leq 70 \text{ kW}$			$t_P = 20 \mu\text{s}$ $T_j = 45^\circ\text{C}$
	$\leq 50 \text{ kW}$			$t_P = 20 \mu\text{s}$ $T_j = 160^\circ\text{C}$

Mechanical data

F_M	Mounting force	min.	10 kN
		max.	12 kN
a	Acceleration		
	Device unclamped	50 m/s ²	
	Device clamped	200 m/s ²	
m	Weight	0.25 kg	
D_S	Surface creepage distance	30 mm	
D_a	Air strike distance	20.5 mm	



On-state

I _{FAVM}	Max. average on-state current	690 A	Half sine wave, T _C = 85°C	
I _{FRMS}	Max. RMS on-state current	1090 A		
I _{FSM}	Max. peak non-repetitive surge current	7.0 kA	t _p =	10 ms
		7.6 kA	t _p =	8.3 ms
I ² t	Limiting load integral	245·10 ³ A ² s	t _p =	10 ms
		240·10 ³ A ² s	t _p =	8.3 ms
V _{F0}	Threshold voltage	1.10 V	I _F = 700 - 2000 A	T _j = 160°C
r _F	Slope resistance	1.01 mΩ		
V _{F min}	On-state voltage	2.00 V	I _F = 1800 A	T _j = 25°C
V _{F max}	On-state voltage	2.40 V		

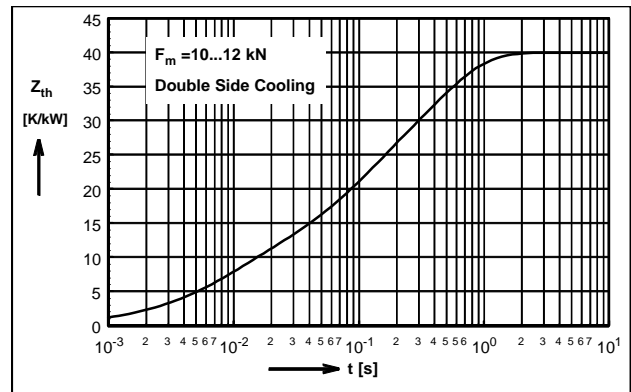
Thermal

T _j	Storage and operating junction temperature range	-40...160°C	
R _{thJC}	Thermal resistance junction to case	80 K/kW	Anode side cooled
		80 K/kW	Cathode side cooled
		40 K/kW	Double side cooled
R _{thCH}	Thermal resistance case to heat sink	16 K/kW	Single side cooled
		8 K/kW	Double side cooled

Analytical function for transient thermal impedance:

$$Z_{thJC}(t) = \sum_{i=1}^4 R_i(1 - e^{-t/\tau_i})$$

i	1	2	3	4
R (K/kW)	20.95	10.57	7.15	1.33
τ _i (s)	0.396	0.072	0.009	0.0044



For a given case temperature T_c at ambient temperature T_a the maximum on-state current can be calculated as follows:

$$I_{FAVM} = \frac{-V_{F0} + \sqrt{(V_{F0})^2 + 4 * f^2 * r_f * P}}{2 * f^2 * r_f}$$

- I_{FAVM} (A)
- T_{max} (°C)
- R_{thja} (K/kW)
- P (W)
- T_c (°C)
- R_{thJC} (K/kW)
- V_{F0} (V)
- T_a (°C)
- r_f (Ω)

where $P = \frac{T_{Jmax} - T_C}{R_{thjc}}$ or $P = \frac{T_{Jmax} - T_A}{R_{thja}}$

- f² = 1 for DC current
- 2.5 for half-sine wave
- 3.1 for 120°el., sine
- 6 for 60° el., sine

