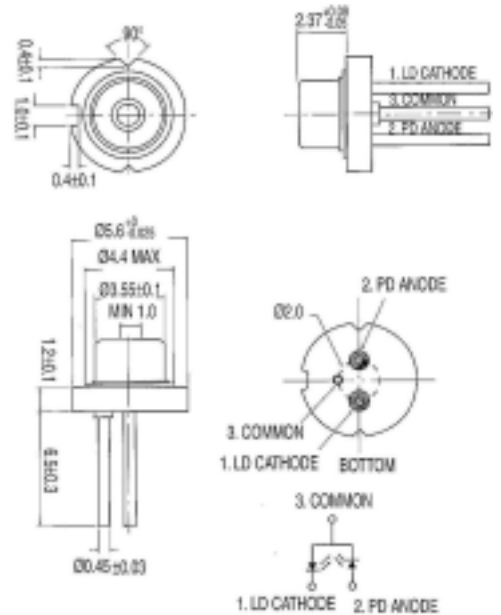




6350-1271-AU 635nm 5 mW Laser Diodes AUTO PACKAGE

Specifications

Device Laser Diode
Package Type TO-18(5.6mm)



Absolute Maximum Ratings(Tc=25)

Characteristics	Symbols	Ratings	Units
Optical Output	Po	7	mW
Reverse Voltage	Laser	2	V
	PIN PD	10	V
Operating Temperature	Top	-10 +40	
Storage Temperature	Tstg	-40 +85	

Electrical and optical Characteristics(Tc=25)

Characteristics	Symbols	Conditions	Min.	Typ.	Max.	Units
Threshold Current	Ith	-	-	25	35	mA
Operating Current	Iop	Po=5mW	-	35	40	mA
Operating Voltage	Vop	Po=5mW	-	2.3	2.7	Volts
Slope Efficiency		2mW	0.35	0.55	1.0	mW/mA
		I(5mW)-I(3mW)				
Monitor Current	Im	Po=5mW	-	0.05	0.8	mA
Beam Divergence (FWHM)	Parallel	Po=5mW	6	8	15	deg.
	Prependicular	Po=5mW	22	35	40	deg.
Parallel Deviation Angle	//	Po=5mW	-3	-	3	deg.
Perpendicular Deviation Angle		Po=5mW	-3	-	3	deg.
Emission Point Accuracy	X	Po=5mW	-80	-	80	µm
	Y	Po=5mW	-80	-	80	µm
	Z	Po=5mW	-80	-	80	µm
Lasing Wavelength		Po=5mW	630	637	640	nm

Im is sorting by custom's need

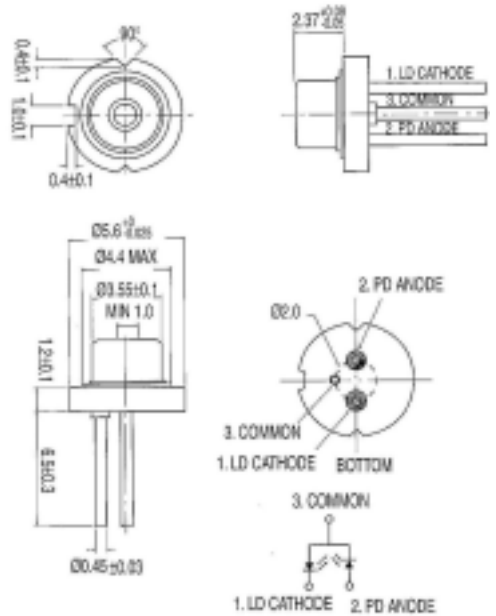
// and are defined as the angle within which the intensity is 50% of the peak value.



6350-1271-AU-50 635nm 5 mW Laser Diodes AUTO PACKAGE

Specifications

Device Laser Diode
 Package Type TO-18(5.6mm)



Absolute Maximum Ratings(Tc=25)

Characteristics	Symbols	Ratings	Units
Optical Output	Po	7	mW
Reverse Voltage	Laser	Vr	2
	PIN PD	Vr(PIN)	10
Operating Temperature	Top	-10 +50	
Storage Temperature	Tstg	-40 +85	

Electrical and optical Characteristics(Tc=25)

Characteristics	Symbols	Conditions	Min.	Typ.	Max.	Units
Threshold Current	Ith	-	-	25	35	mA
Operating Current	Iop	Po=5mW	-	35	45	mA
Operating Voltage	Vop	Po=5mW	-	2.3	2.7	Volts
Slope Efficiency		2mW	0.35	0.55	1.0	mW/mA
		I(5mW)-I(3mW)				
Monitor Current	Im	Po=5mW	-	0.05	0.8	mA
Beam Divergence (FWHM)	Parallel	Po=5mW	6	8	15	deg.
	Prependicular	Po=5mW	22	35	40	deg.
Parallel Deviation Angle	//	Po=5mW	-3	-	3	deg.
Perpendicular Deviation Angle		Po=5mW	-3	-	3	deg.
Emission Point Accuracy	X	Po=5mW	-80	-	80	µm
	Y	Po=5mW	-80	-	80	µm
	Z	Po=5mW	-80	-	80	µm
Lasing Wavelength		Po=5mW	630	637	640	nm

Im is sorting by custom's need

// and are defined as the angle within which the intensity is 50% of the peak value.