

$I_{F(AV)} = 60\text{Amp}$   
 $V_R = 100\text{V}$

**Major Ratings and Characteristics**


Characteristics	Values	Units
$I_{F(AV)}$ Rectangular waveform	60	A
$V_{RRM}$	100	V
$I_{FSM}$ @tp = 5 $\mu$ s sine	2200	A
$V_F$ @30 Apk, $T_J = 125^\circ\text{C}$ (per leg)	0.64	V
$T_J$ range	-55 to 175	$^\circ\text{C}$

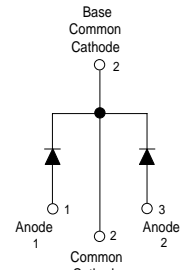
**Description/ Features**

The 63CPQ100PbF center tap Schottky rectifier series has been optimized for low reverse leakage at high temperature. The proprietary barrier technology allows for reliable operation up to 175° C junction temperature. Typical applications are in switching power supplies, converters, free-wheeling diodes, and reverse battery protection.

- 175° C  $T_J$  operation
- Center tap TO-247 package
- High purity, high temperature epoxy encapsulation for enhanced mechanical strength and moisture resistance
- Low forward voltage drop
- High frequency operation
- Guard ring for enhanced ruggedness and long term reliability
- Lead-Free ("PbF" suffix)

**Case Styles**





**TO-247AC**

## Voltage Ratings

Part number	63CPQ100PbF
$V_R$ Max. DC Reverse Voltage (V)	100
$V_{RWM}$ Max. Working Peak Reverse Voltage (V)	

## Absolute Maximum Ratings

Parameters	63CPQ	Units	Conditions
$I_{F(AV)}$ Max. Average Forward Current (Per Leg) * See Fig. 5 (Per Device)	30	A	50% duty cycle @ $T_C = 153^\circ\text{C}$ , rectangular wave form
	60		
$I_{FSM}$ Max. Peak One Cycle Non-Repetitive Surge Current (Per Leg) * See Fig. 7	2200	A	5 $\mu\text{s}$ Sine or 3 $\mu\text{s}$ Rect. pulse 10ms Sine or 6ms Rect. pulse Following any rated load condition and with rated $V_{RWM}$ applied
	410		
$E_{AS}$ Non-Repetitive Avalanche Energy (Per Leg)	15	mJ	$T_J = 25^\circ\text{C}$ , $I_{AS} = 1$ Amps, $L = 30$ mH
$I_{AR}$ Repetitive Avalanche Current (Per Leg)	1	A	Current decaying linearly to zero in 1 $\mu\text{sec}$ Frequency limited by $T_J$ max. $V_A = 1.5 \times V_R$ typical

## Electrical Specifications

Parameters	63CPQ	Units	Conditions
$V_{FM}$ Max. Forward Voltage Drop (Per Leg) * See Fig. 1 (1)	0.77	V	@ 30A $T_J = 25^\circ\text{C}$
	0.92	V	@ 60A
	0.64	V	@ 30A $T_J = 125^\circ\text{C}$
	0.76	V	@ 60A
$I_{RM}$ Max. Reverse Leakage Current (Per Leg) * See Fig. 2 (1)	0.3	mA	$T_J = 25^\circ\text{C}$ $V_R = \text{rated } V_R$
	25	mA	$T_J = 125^\circ\text{C}$
$V_{F(TO)}$ Threshold Voltage	0.38	V	$T_J = T_J \text{ max.}$
$r_t$ Forward Slope Resistance	5.75	mW	
$C_T$ Max. Junction Capacitance (Per Leg)	1300	pF	$V_R = 5V_{DC}$ (test signal range 100Khz to 1Mhz) $25^\circ\text{C}$
$L_S$ Typical Series Inductance (Per Leg)	7.5	nH	Measured lead to lead 5mm from package body
dv/dt Max. Voltage Rate of Change	10000	V/ $\mu\text{s}$	(Rated $V_R$ )

(1) Pulse Width < 300 $\mu\text{s}$ , Duty Cycle <2%

## Thermal-Mechanical Specifications

Parameters	63CPQ	Units	Conditions
$T_J$ Max. Junction Temperature Range	-55 to 175	$^\circ\text{C}$	
$T_{stg}$ Max. Storage Temperature Range	-55 to 175	$^\circ\text{C}$	
$R_{thJC}$ Max. Thermal Resistance Junction to Case (Per Leg) * See Fig. 4	0.8	$^\circ\text{C/W}$	DC operation
$R_{thJC}$ Max. Thermal Resistance Junction to Case (Per Package)	0.4	$^\circ\text{C/W}$	DC operation
$R_{thCS}$ Typical Thermal Resistance, Case to Heatsink	0.25	$^\circ\text{C/W}$	Mounting surface, smooth and greased
wt Approximate Weight	6 (0.21)	g (oz.)	
T Mounting Torque	Min. 6 (5)	Kg-cm (lbf-in)	
	Max. 12 (10)		
Case Style	TO-247AC(TO-3P)		JEDEC
Marking Device	63CPQ100		

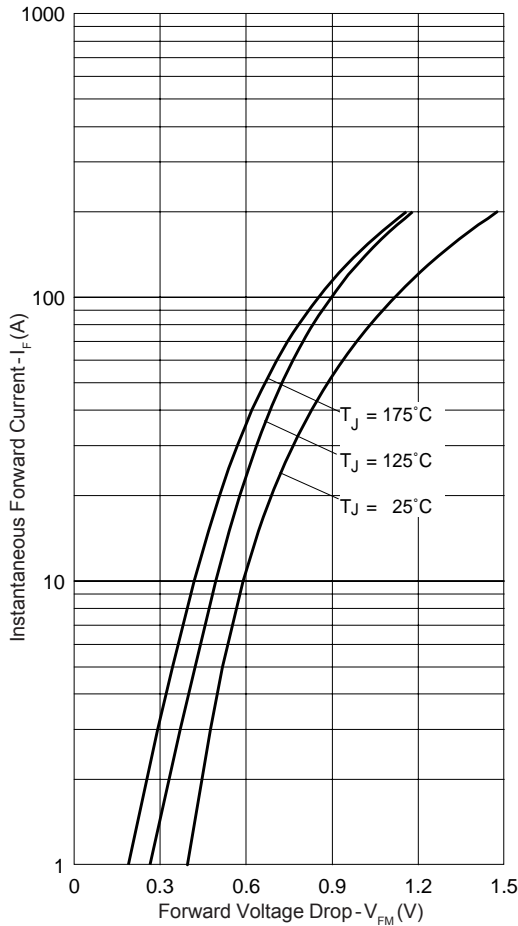


Fig.1 - Max. Forward Voltage Drop Characteristics

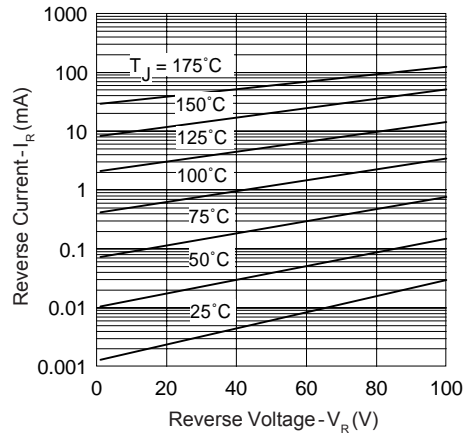


Fig.2 - Typical Values Of Reverse Current Vs. Reverse Voltage

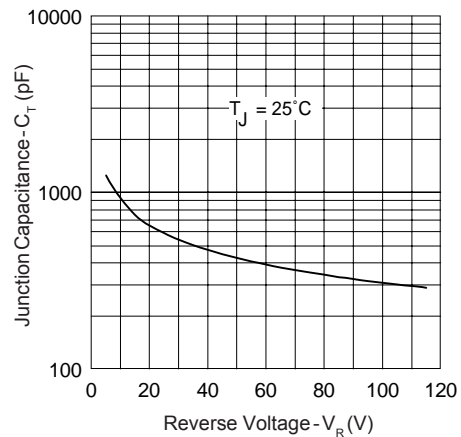


Fig.3 - Typical Junction Capacitance Vs. Reverse Voltage

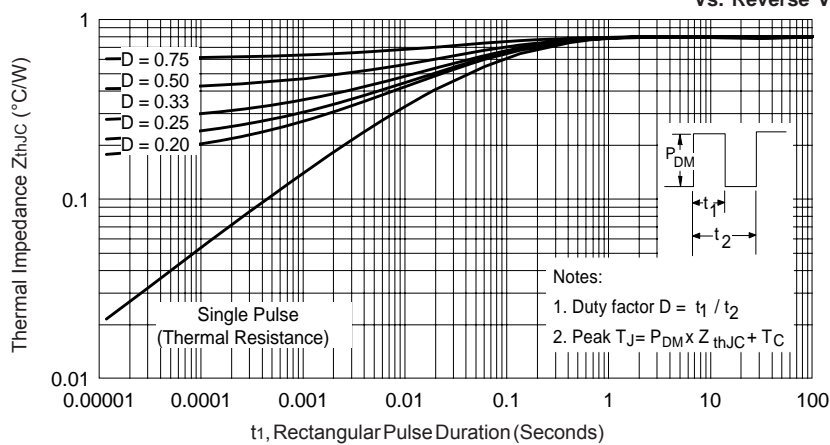


Fig.4 - Max. Thermal Impedance  $Z_{thJC}$  Characteristics

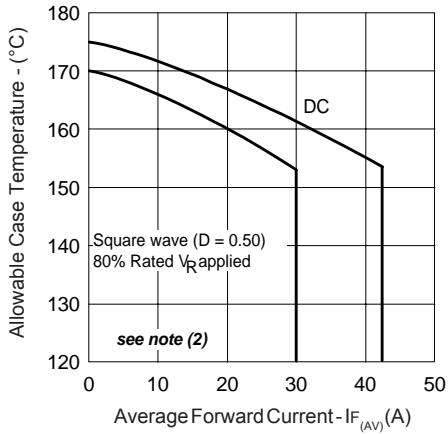


Fig. 5 - Max. Allowable Case Temperature Vs. Average Forward Current

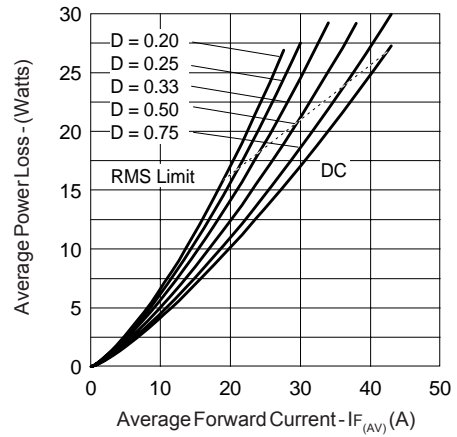


Fig. 6 - Forward Power Loss Characteristics

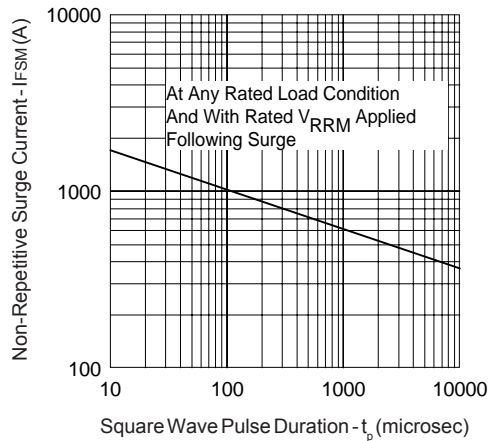


Fig. 7 - Max. Non-Repetitive Surge Current

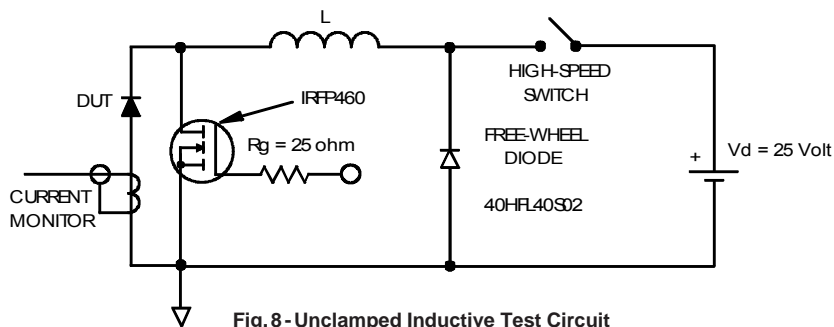
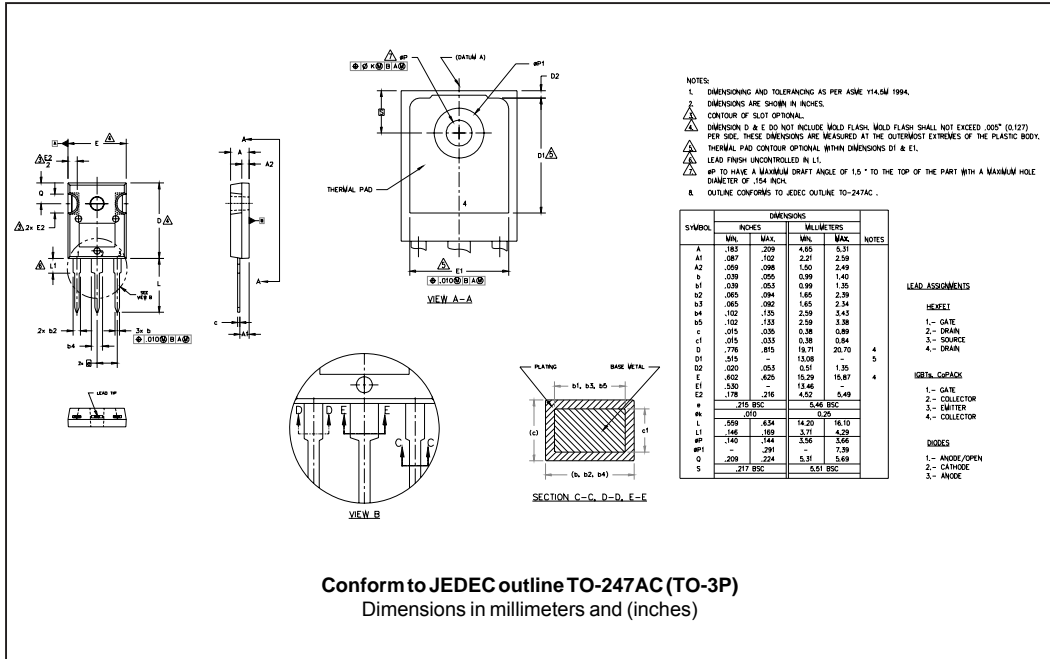


Fig. 8 - Unclamped Inductive Test Circuit

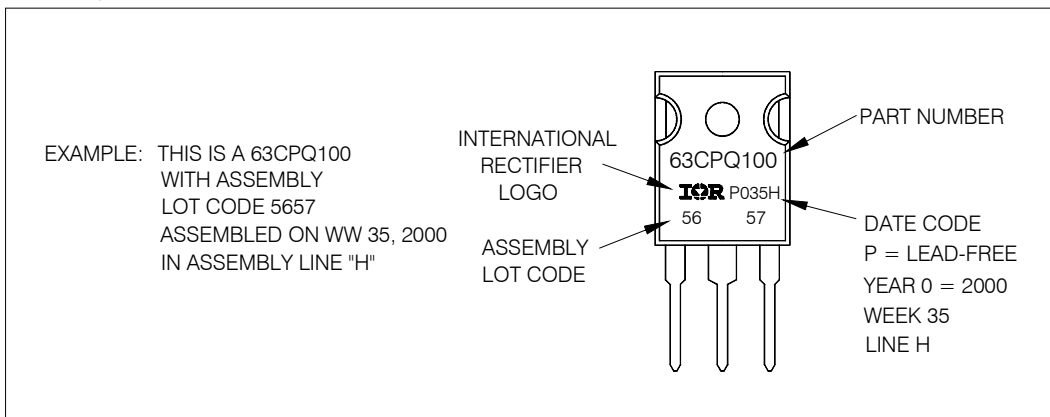
- (2) Formula used:  $T_C = T_J - (Pd + Pd_{REV}) \times R_{thJC}$ ;  
 $Pd = \text{Forward Power Loss} = I_{F(AV)} \times V_{FM} @ (I_{F(AV)} / D)$  (see Fig. 6);  
 $Pd_{REV} = \text{Inverse Power Loss} = V_{R1} \times I_R (1 - D); I_R @ V_{R1} = 80\% \text{ rated } V_R$

Outline Table



Conform to JEDEC outline TO-247AC (TO-3P)  
 Dimensions in millimeters and (inches)

Marking Information



## Ordering Information Table

Device Code													
	<table border="1" style="margin: auto;"> <tr> <td style="padding: 5px;"><b>63</b></td> <td style="padding: 5px;"><b>C</b></td> <td style="padding: 5px;"><b>P</b></td> <td style="padding: 5px;"><b>Q</b></td> <td style="padding: 5px;"><b>100</b></td> <td style="padding: 5px;"><b>PbF</b></td> </tr> <tr> <td style="text-align: center;">①</td> <td style="text-align: center;">②</td> <td style="text-align: center;">③</td> <td style="text-align: center;">④</td> <td style="text-align: center;">⑤</td> <td style="text-align: center;">⑥</td> </tr> </table>	<b>63</b>	<b>C</b>	<b>P</b>	<b>Q</b>	<b>100</b>	<b>PbF</b>	①	②	③	④	⑤	⑥
<b>63</b>	<b>C</b>	<b>P</b>	<b>Q</b>	<b>100</b>	<b>PbF</b>								
①	②	③	④	⑤	⑥								
<b>1</b>	- Current Rating (60A)												
<b>2</b>	- Circuit Configuration C = Common Cathode												
<b>3</b>	- Package P = TO-247												
<b>4</b>	- Schottky "Q" Series												
<b>5</b>	- Voltage Code												
<b>6</b>	- • none = Standard Production • PbF = Lead-Free												
Tube Standard Pack Quantity : 25 pieces													

Data and specifications subject to change without notice.  
This product has been designed and qualified for Industrial Level and Lead-Free.  
Qualification Standards can be found on IR's Web site.

International  
**IR** Rectifier

**IR WORLD HEADQUARTERS:** 233 Kansas St., El Segundo, California 90245, USA Tel: (310) 252-7105  
TAC Fax: (310) 252-7309  
Visit us at [www.irf.com](http://www.irf.com) for sales contact information. 11/06