

FEATURES

Unity gain single-channel signal conditioning output module.

Interfaces and filters a ± 10 V input signal and provides an isolated precision output of ± 10 V.

All 7B22 series modules are mix-and-match and Hot Swappable.

APPLICATIONS

Industrial signal conditioning

Industrial signal isolation

Industrial signal filtering

PRODUCT OVERVIEW

The 7B Series of signal conditioners feature small size, low cost and a wide output voltage range for a variety of applications including process control and factory-floor environments. The single-channel 7B modules accept inputs from a range of transducers and are fully rated over the extended -40°C to $+85^{\circ}\text{C}$ industrial temperature range.

All 7B Series modules are rated for a nominal power supply input of +24 VDC; and, for maximum flexibility, they will accept supply voltages in the +14 VDC to +35 VDC range. The input modules, with the exception of the 7B21, provide a high-level output voltage that is factory configured for either the +1 V to +5 V or 0 V to +10 V range. The 7B21 is a unity gain, isolated input module with an input/output range of +10V. Output modules are available that provide either isolated process current or isolated bipolar voltage output. Model 7B39 converts either a +1 V to +5 V input to a 4 to 20 mA output or a 0 V to +10 V input to a 0-20 mA output. The input/output ranges of the 7B39 are factory configured. The 7B22 is a unity gain module that provides an isolated +10V output signal. All modules have a universal pin-out and may be readily hot-swapped under full power without disrupting field wiring.

Each module accepts analog transducer signals and transfers them to a process control or factory data collection system without the inherent noise, non-linearity, drift and extraneous voltages which frequently accompany the signals.

FUNCTIONAL BLOCK DIAGRAM

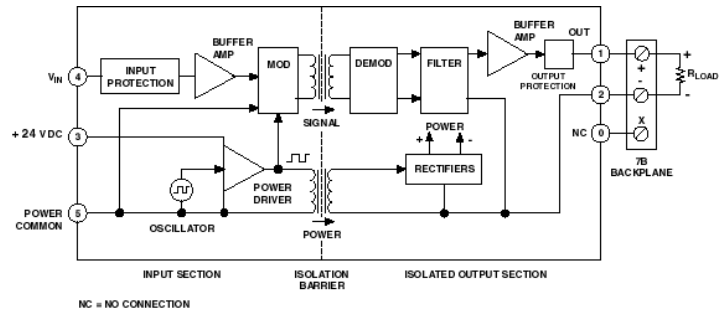


Figure 1. 7B22 Functional Block Diagram

The modules feature a maximum nonlinearity of $\pm 0.02\%$ and are factory calibrated to guarantee a maximum accuracy specification of $\pm 0.1\%$.

The 7B Series offers up to 1500 V rms continuous common mode voltage isolation and 120 V rms of field wiring input protection. The power supplies necessary to drive each of the individual module's input circuitry are internally isolated, enabling the 7B Series modules to offer true channel-to-channel isolation of the input signals.

The modules directly accept analog signals from thermocouples, RTDs, current loop powered transmitters, and other process control signals. The 7B Series modules amplify, linearize, isolate, protect and convert the transducer output signals to standardized analog inputs for high-level analog I/O subsystems. The 7B Series Subsystem consists of 19-inch rack-compatible hardware (model AC 1363), with universal mounting backplane and a family of plug-in (up to 16 per backplane) input and output signal conditioning modules. Four-, eight-, and sixteen-channel backplanes are available. Each backplane incorporates screw terminals for easy power connections and field wiring, and includes a 25-pin D-type connector for interfacing the high-level single-ended voltage outputs to the user's equipment. Gold-plated sockets are provided on each channel of the backplane to ensure the reliability of each module's electrical connection.

Rev. 0

Information furnished by Analog Devices is believed to be accurate and reliable. However, no responsibility is assumed by Analog Devices for its use, nor for any infringements of patents or other rights of third parties that may result from its use. Specifications subject to change without notice. No license is granted by implication or otherwise under any patent or patent rights of Analog Devices. Trademarks and registered trademarks are the property of their respective companies.

GENERAL DESCRIPTION

The 7B22 is a unity gain single-channel signal conditioning output module that interfaces and filters a ± 10 V input signal and provides an isolated precision output of ± 10 V. The output voltage appears at the 7B Series backplane screw terminal block. Model 7B22 features a nonlinearity of $\pm 0.02\%$ maximum and an accuracy of $\pm 0.1\%$ maximum ($\pm 0.01\%$ typical). Providing 1500 V rms of galvanic transformer based isolation, output-to-input and power, the 7B22 offers a common mode rejection (CMR) of 100 dB @ 50/60 Hz to preserve the integrity of low level signals in noisy environments. The 7B22 is mix-and-match and hot-swappable with other 7B Series modules, so it can be inserted or removed from any socket in the same backplane without disturbing system power. Model 7B22 is rated to operate with a nominal +24 VDC supply.

The input and floating isolated voltage output of Model 7B22 are protected up to ± 35 VDC. The input signal from the user's system is buffered and then used to modulate the amplitude of a square wave carrier. The modulated signal is transmitted across the signal transformer and demodulated to retrieve the original input voltage signal. This voltage is then filtered by a two-pole low pass 400 Hz filter. The nominal +24 VDC module supply

voltage powers the input side of the 7B22. The oscillator on the input side provides the square wave carrier signal used by the modulator and also drives the power transformer. The signal at the secondary of the transformer is used in the demodulator and is also converted to a DC voltage that powers the circuit on the module's output. The two-pole output filter and subsequent buffer ensures that a low noise, low impedance ($< 1\Omega$) signal is available at the isolated output to drive loads down to 5 k Ω .



Figure 2

7B22 Models Available

Model	Input Range	Output Range
7B22	-10 V to +10 V	-10 V to +10 V

7B22 Specifications

(typical @ +23°C ±5°C and $V_s = +24$ V dc)

Description	Model 7B22
	Output Range ($R_L > 5$ kΩ)
Standard Ranges	-10 V to +10 V (-14 V to +14 V, maximum)
Custom Ranges	Not Available*
Input Range	-10 V to +10 V
	Accuracy¹
Initial @ +25°C	±0.01% Span (±0.1% Span, maximum)
Nonlinearity ²	±0.02% Span, maximum
Span vs. Temperature	±35 ppm/°C
Output Offset vs. Temperature	±0.001% Span/°C
Input Bias Current	+3 nA
	Input Resistance
Power ON	2 M Ω
Power OFF	30 k Ω , minimum
	Output Noise
5 MHz Bandwidth	7 mV peak
10 Hz to 100 kHz Bandwidth	3 mV rms
0.1 Hz to 10 Hz Bandwidth	6 μ V peak
Bandwidth, -3 dB	400 Hz
Output Rise Time, 10% to 90% Span	1 ms
Normal Mode Rejection @ 50/60 Hz	60 dB
	Common-Mode Voltage (CMV)
Output-to-Input and Power	1500 V rms continuous
	Common Mode Rejection (CMR)
Output-to-Input and Power @ 50/60 Hz	100 dB
Input Protection	±35 V dc, continuous
Input Transient Protection	ANSI/IEEE C376.90.1-1989 IEEE-STD 472 IEC 255-4, Class II
Output Resistance	< 1 Ω
	Power Supply
Voltage Range, Operating	+19 V dc to +29 V dc
Current	+20 mA, maximum

Sensitivity	±0.0001%/ % of Vs
Mechanical Dimensions	1.663" x 2.11" x 0.563" (42.24 mm x 53.6 mm x 14.3 mm)
Weight	60 grams
Environmental	
Temperature Range	
Operating	-40°C to +85°C
Storage	-40°C to +85°C
Relative Humidity, 24 hours	0 to 90% @ +60°C non-condensing
ESD Sensitivity	IEC 801-2, Level 2
RFI Susceptibility	±0.5% Span error @ 400 MHz, 5 Watt, 3 ft

Warm-up time required to meet specifications is approximately 10 minutes.

* Contact factory for OEM requirements.

¹ Includes the combined effects of repeatability, hysteresis, and nonlinearity.

² Nonlinearity is calculated using best-fit straight line method.

Specifications subject to change without notice.

PIN CONFIGURATIONS AND FUNCTIONAL DESCRIPTIONS

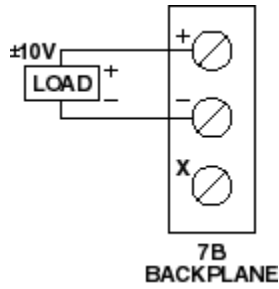


Figure 3 7B22 Input Field Connections

Table 1. Pin Function Descriptions—

Pin No.	Input Module Function	Output Module Function
0	SENSOR INPUT	NOT USED
1	INPUT HIGH	OUTPUT HIGH
2	INPUT LOW	OUTPUT LOW
3	POWER SUPPLY (DC)	POWER SUPPLY (DC)
4	OUTPUT VOLTAGE	INPUT VOLTAGE
5	OUTPUT & POWER COMMON	INPUT AND POWER COMMON



Figure 4 . Model 7B Series Module, with pin-out assignments.

ESD CAUTION

ESD (electrostatic discharge) sensitive device. Electrostatic charges as high as 4000 V readily accumulate on the human body and test equipment and can discharge without detection. Although this product features proprietary ESD protection circuitry, permanent damage may occur on devices subjected to high energy electrostatic discharges. Therefore, proper ESD precautions are recommended to avoid performance degradation or loss of functionality.



OUTLINE DIMENSIONS



Figure 5. Outline Dimensions

NOTES

NOTES