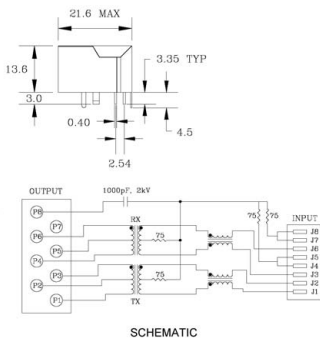
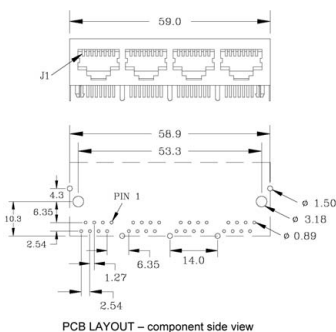


- RJ-45 connector with integrated magnetics/resistors/high voltage capacitor
- Designed for 100 base transmission over UTP-5 cable
- Reduced EMI radiation and improved EMI performance



Mechanical and Schematic (All dimensions in millimetres)



ELECTRICAL SPECIFICATION @ 25°C

Turns Ratio ±3%	DCR Ω MAX	C_{int}^1 pF MAX	Inductance ² μH MIN	L_L^3 μH MAX	Return Loss dB MIN	Insertion Loss dB MAX	Crosstalk dB MIN	CCMA dB MIN	Hipot ⁴ VAC	
(P6-P4-J6-J3) & (P3-P1-J2-J1)	(J6-J3) & (J2-J1)	(P4-J3) & (P1-J1)	(P6-P4) & (P3-P1)	(P6-P4 & J6+J3) & (P3-P1 & J2+J1)	1-30 MHz	30-80 MHz	0.1-100 MHz	1-100MHz	(J1-J2 to P1-P3) & (J3-J6 to P4-P6)	
1CT:1CT	1.2	30	350	0.3	-16	-12	-1.1	-35	-35	1500

1. Interwinding Capacitance @ 1.0 MHz, 0.1V
2. Inductance @ 100kHz, 0.1V, 8mA DC Bias
3. Leakage Inductance @ 1.0MHz, 0.1V
4. Hipot: 1.0mA, 1sec