

Blade Terminal & Special Purpose Fuses

Low Voltage

RoHS JCASE® 42V Slo-Blo® Cartridge Fuse

As power demand in vehicles continues to grow, the need for electrical and fuel economy is driving the necessity for a more efficient automotive electrical system.

Littelfuse is working closely with major automakers and wire harness suppliers to develop and establish new standards of circuit protection for 42 volt automotive electrical systems.

Advantages include:

- 42 Volt nominal rating / 58 Volt interrupting rating
- Unique keying design prevents lower rated fuses from being inserted into the circuit
- Same performance characteristics as industry standard JCASE fuse but modified to work in the 42 volt environment

ELECTRICAL CHARACTERISTICS:

| % of (Rating) | Opening Time |
|---------------|---|
| 110% | 100 hrs., Minimum |
| 135% | 60 sec., Min. ; 1800 sec., Max. |
| 200% | 4.00 sec., Min. ; 60.0 sec., Max. |
| 350% | 0.20 sec., Min. ; 17.0 sec., Max. |
| 600% | 0.04 sec., Min. ; 1.0 sec., Max. |

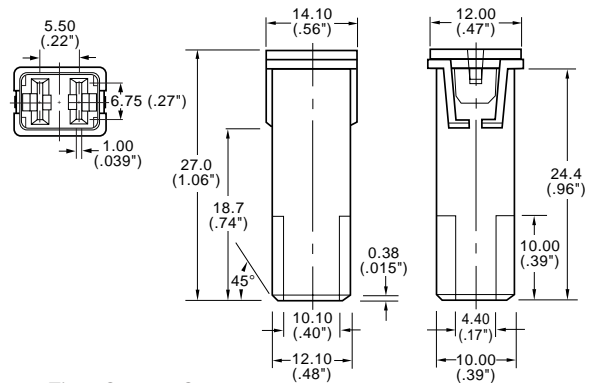
Interrupting Rating: 1000A @ 58 VDC

Voltage Rating: 58 VDC

Ambient Temp: -40°C to +125°C

ORDERING INFORMATION:

| Catalog Number | Ampere Rating (A) | Voltage Rating (VDC) | Body Color | Typical Voltage Drop at Rated Current (mV) | Nominal Cold Resistance (Ω) |
|----------------|-------------------|----------------------|------------|--|-----------------------------|
| 995 020 | 20 | 58 | Blue | 125 | .00486 |
| 995 025 | 25 | 58 | Natural | 120 | .00328 |
| 995 030 | 30 | 58 | Pink | 115 | .00245 |
| 995 040 | 40 | 58 | Green | 115 | .00152 |
| 995 050 | 50 | 58 | Red | 115 | .00118 |
| 995 060 | 60 | 58 | Yellow | 115 | .00095 |



Average Time Current Cur ves

