

UTC A2804 LINEAR INTEGRATED CIRCUIT

ZERO VOLTAGE SWITCH

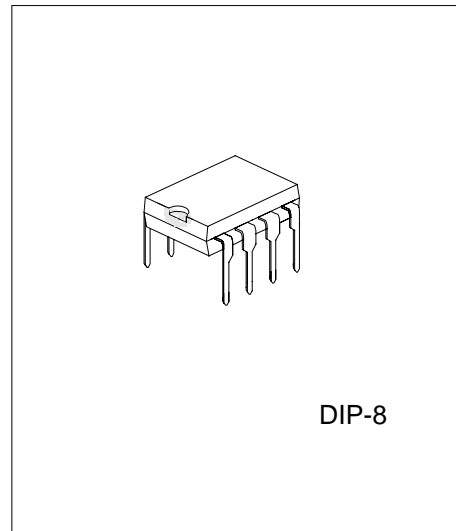
DESCRIPTION

The UTC A2804 is a TRIAC controller providing a complete solution for temperature controlled electric panel heaters, cookers, film processing baths etc.

Switching occurs at the zero voltage point in order to minimize radio frequency interference. The device is suitable for mains-on-line operation and requires minimal components.

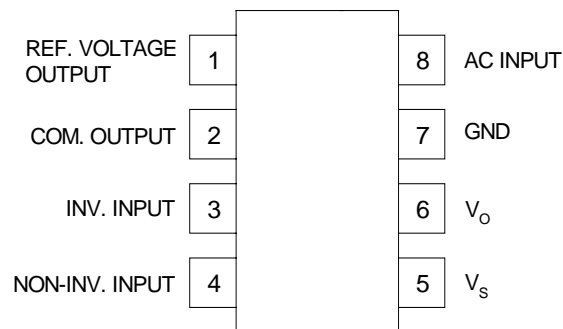
FEATURES

- *Easy operation either through the AC line or a DC supply.
- *Supply voltage control.
- *Very few external components.
- *Symmetrical burst control-No DC current components in the load circuit
- *Negative output current pulse up to 250mA-short circuit protection.
- *Reference voltage output



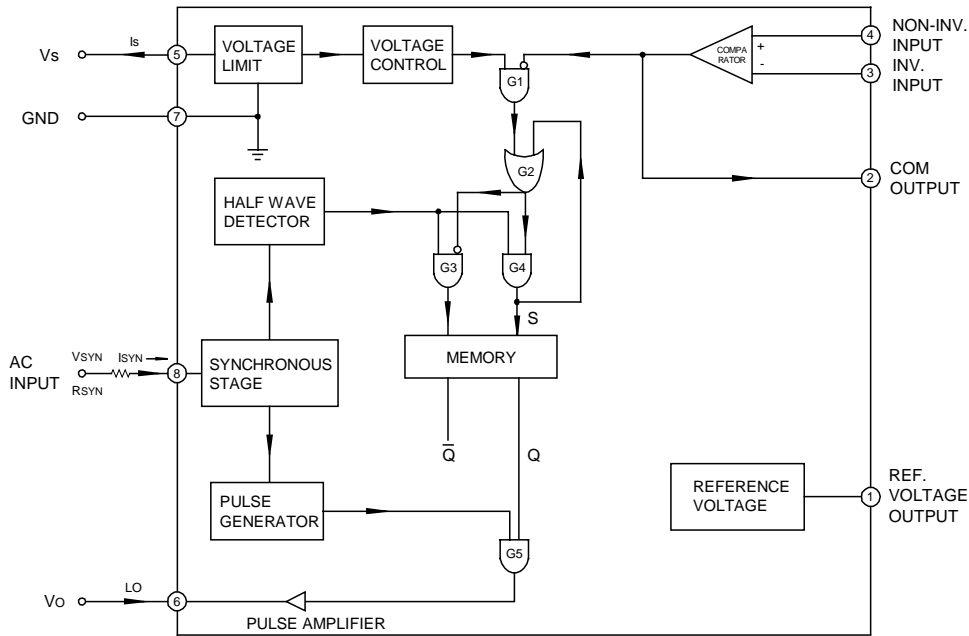
*Pb-free plating product number: A2804L

PIN CONFIGURATION



UTC A2804 LINEAR INTEGRATED CIRCUIT

BLOCK DIAGRAM



ABSOLUTE MAXIMUM RATINGS (Ta=25 °C)

PARAMETER	SYMBOL	RATINGS	UNIT
Supply Voltage	-Vs	8.2	V
Supply Current	-Is	40(average)	mA
Synchronous Current	ISYN	5.0(rms)	mA
Input Voltage	Vi	IVsl	V
Power Dissipation	Pd	350	mW
Junction Temperature	Tj	125	°C
Operating Ambient Temperature	Topr	-20 ~ +70	°C
Storage Temperature	Tstg	-65 ~ +150	°C

ELECTRICAL CHARACTERISTICS

(Vs=8.0V, VSYN=100 ~ 115Vrms, Ta=25 °C, f=50/60Hz, unless otherwise specified)

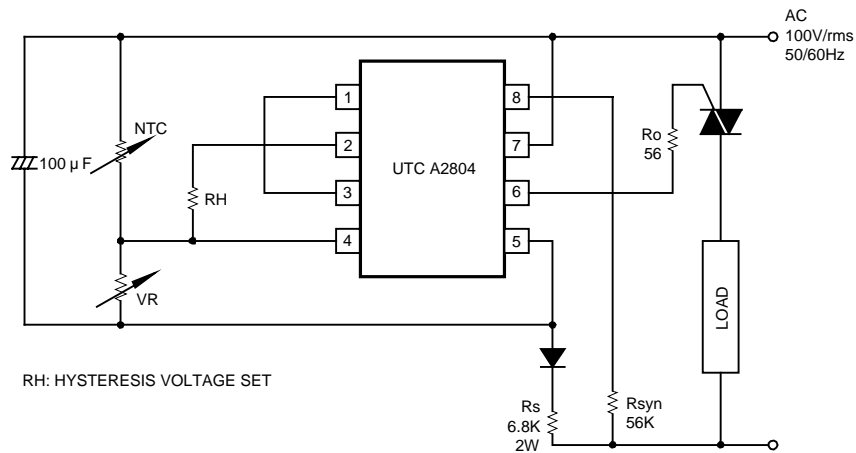
PARAMETER	SYMBOL	TEST CONDITIONS	MIN	TYP	MAX	UNIT
Circuit Current	-Is	Pin5, RSYN=56K		2.0	2.5	mA
Supply Voltage 1	-Vs1	Pin5, Is=2.5mA RSYN=56K	7.2		8.4	V
Supply Voltage 2	-Vs2	Pin5, Is=20mA RSYN=56K	7.2		8.6	V
Synchronous Current	ISYN	Pin8	0.3			mA
Output Pulse Width	TP	Pin6, RSYN=56K		200		μs
Output Voltage	Vo	Pin6, Io 200mA	4.2	5.2		V

UTC A2804 LINEAR INTEGRATED CIRCUIT

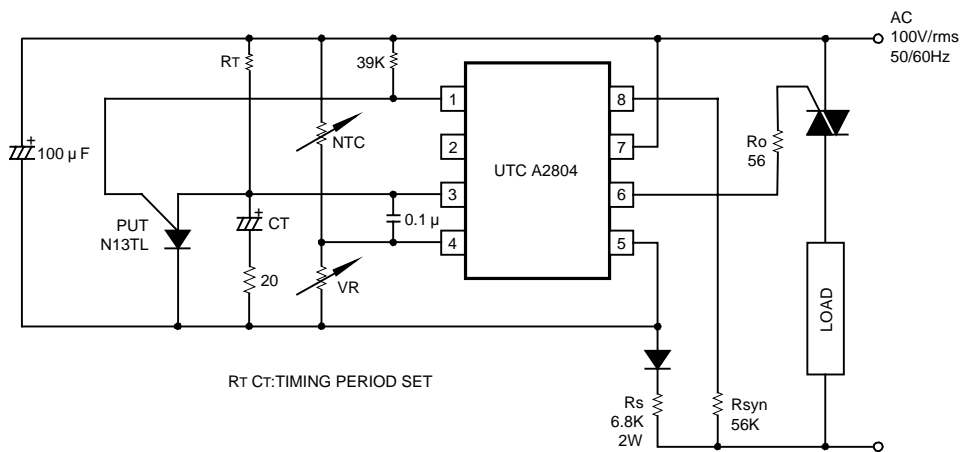
PARAMETER	SYMBOL	TEST CONDITIONS	MIN	TYP	MAX	UNIT
Output Current	I_o	Pin6, R_o 25	200	250		mA
Output Offset Voltage	I_{Lo}	Pin6			2.0	μA
Input Offset Voltage	V_{io}	Pin3, 4		2.0	5.0	mV
Input Bias Current	I_i	Pin3, 4		0.5	1.0	μA
Common Mode Input Voltage Range	$-V_{icm}$	Pin3, 4	0		5.7	V
Output Leakage Current	I_{lc}	Pin2			0.2	μA
Reference Voltage	$-V_R$	Pin1, I_R 1 μA		3.6		V

APPLICATIONS

ON-OFF TEMPERATURE CONTROL



TIME PROPORTIONAL TEMPERATURE CONTROL



UTC A2804 LINEAR INTEGRATED CIRCUIT

UTC assumes no responsibility for equipment failures that result from using products at values that exceed, even momentarily, rated values (such as maximum ratings, operating condition ranges, or other parameters) listed in products specifications of any and all UTC products described or contained herein. UTC products are not designed for use in life support appliances, devices or systems where malfunction of these products can be reasonably expected to result in personal injury. Reproduction in whole or in part is prohibited without the prior written consent of the copyright owner. The information presented in this document does not form part of any quotation or contract, is believed to be accurate and reliable and may be changed without notice.