

AA4040PGC

PURE GREEN

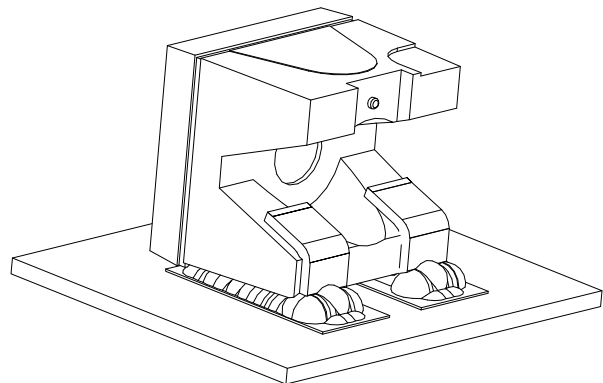
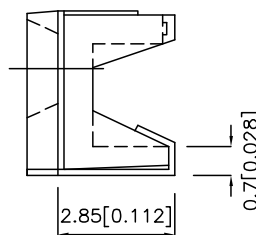
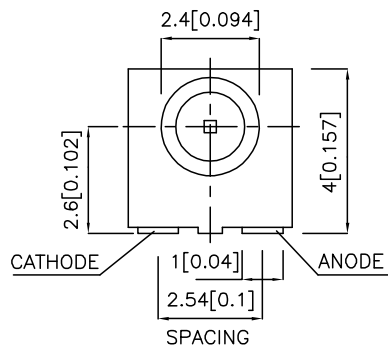
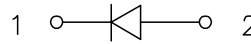
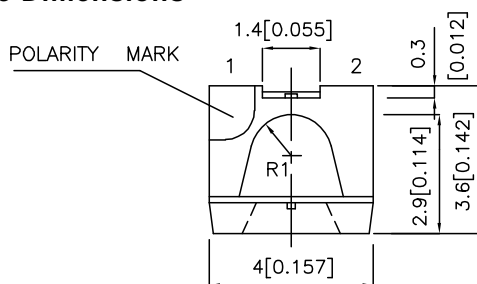
Features

- SINGLE COLOR.
- SUITABLE FOR ALL SMT ASSEMBLY AND SOLDER PROCESS.
- AVAILABLE ON TAPE AND REEL.
- IDEAL FOR BACKLIGHTING.
- PACKAGE : 500PCS / REEL.
- RoHS COMPLIANT.

Description

The Pure Green source color devices are made with Gallium Phosphide Pure Green Light Emitting Diode.

Package Dimensions



Notes:

1. All dimensions are in millimeters (inches).
2. Tolerance is $\pm 0.25(0.01")$ unless otherwise noted.
3. Specifications are subject to change without notice.

Selection Guide

| Part No. | Dice | Lens Type | Iv (mcd) @ 20 mA | | Viewing Angle |
|-----------|------------------|-------------|---------------------|------|------------------|
| | | | Min. | Typ. | 2θ1/2 |
| AA4040PGC | PURE GREEN (GaP) | WATER CLEAR | 1.6 | 6 | 90° |

Note:

1. θ1/2 is the angle from optical centerline where the luminous intensity is 1/2 the optical centerline value.

Electrical / Optical Characteristics at TA=25°C

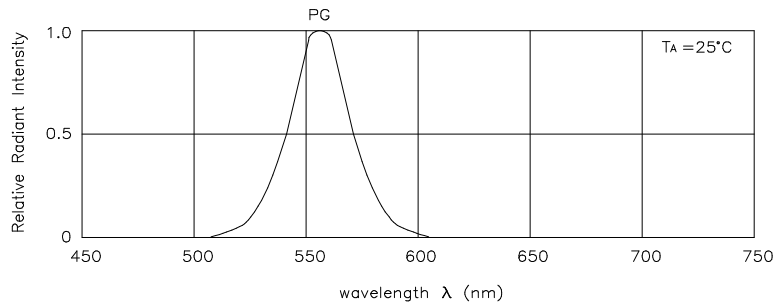
| Symbol | Parameter | Device | Typ. | Max. | Units | Test Conditions |
|--------|--------------------------|------------|------|------|-------|-----------------|
| λpeak | Peak Wavelength | Pure Green | 555 | | nm | IF=20mA |
| λD | Dominant Wavelength | Pure Green | 555 | | nm | IF=20mA |
| Δλ1/2 | Spectral Line Half-width | Pure Green | 30 | | nm | IF=20mA |
| C | Capacitance | Pure Green | 45 | | pF | VF=0V;f=1MHz |
| VF | Forward Voltage | Pure Green | 2.25 | 2.5 | V | IF=20mA |
| IR | Reverse Current | Pure Green | | 10 | uA | VR = 5V |

Absolute Maximum Ratings at TA=25°C

| Parameter | Pure Green | Units |
|-------------------------------|----------------|-------|
| Power dissipation | 105 | mW |
| DC Forward Current | 25 | mA |
| Peak Forward Current [1] | 135 | mA |
| Reverse Voltage | 5 | V |
| Operating/Storage Temperature | -40°C To +85°C | |

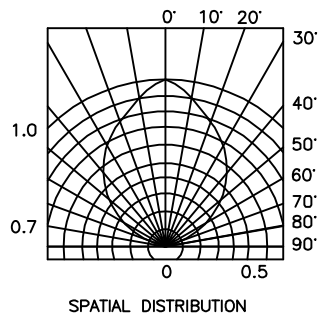
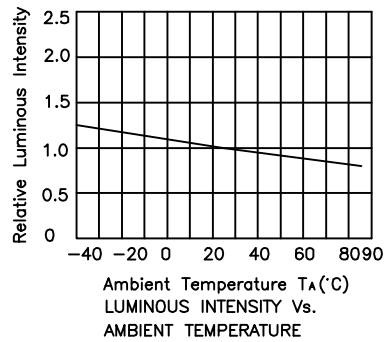
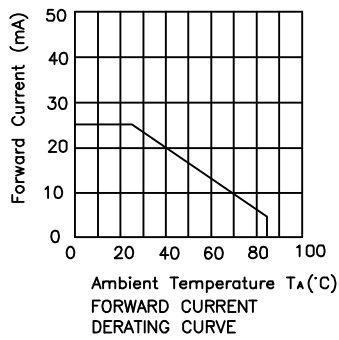
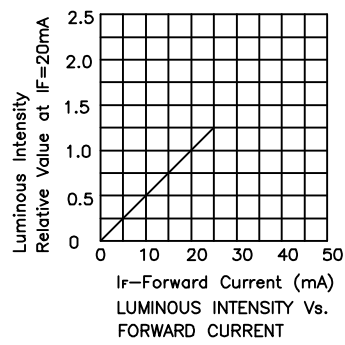
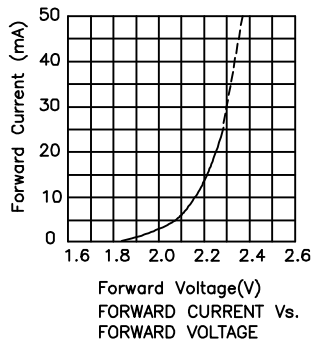
Note:

1. 1/10 Duty Cycle, 0.1ms Pulse Width.



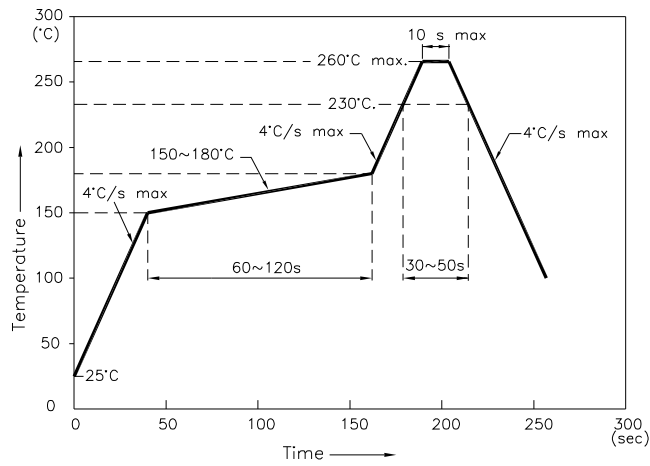
Pure Green

AA4040PGC



AA4040PGC

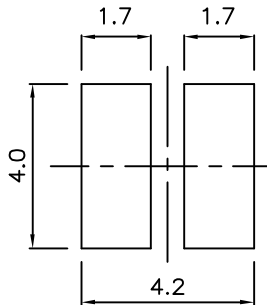
Reflow Soldering Profile For Lead-free SMT Process.



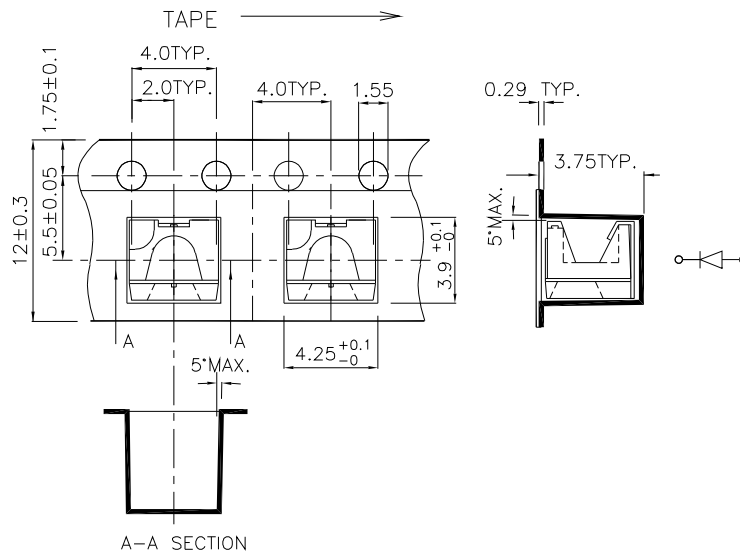
NOTES:

1. We recommend the reflow temperature 245°C(+/-5°C). The maximum soldering temperature should be limited to 260°C.
2. Don't cause stress to the epoxy resin while it is exposed to high temperature.
3. Number of reflow process shall be 2 times or less.

Recommended Soldering Pattern (Units : mm)

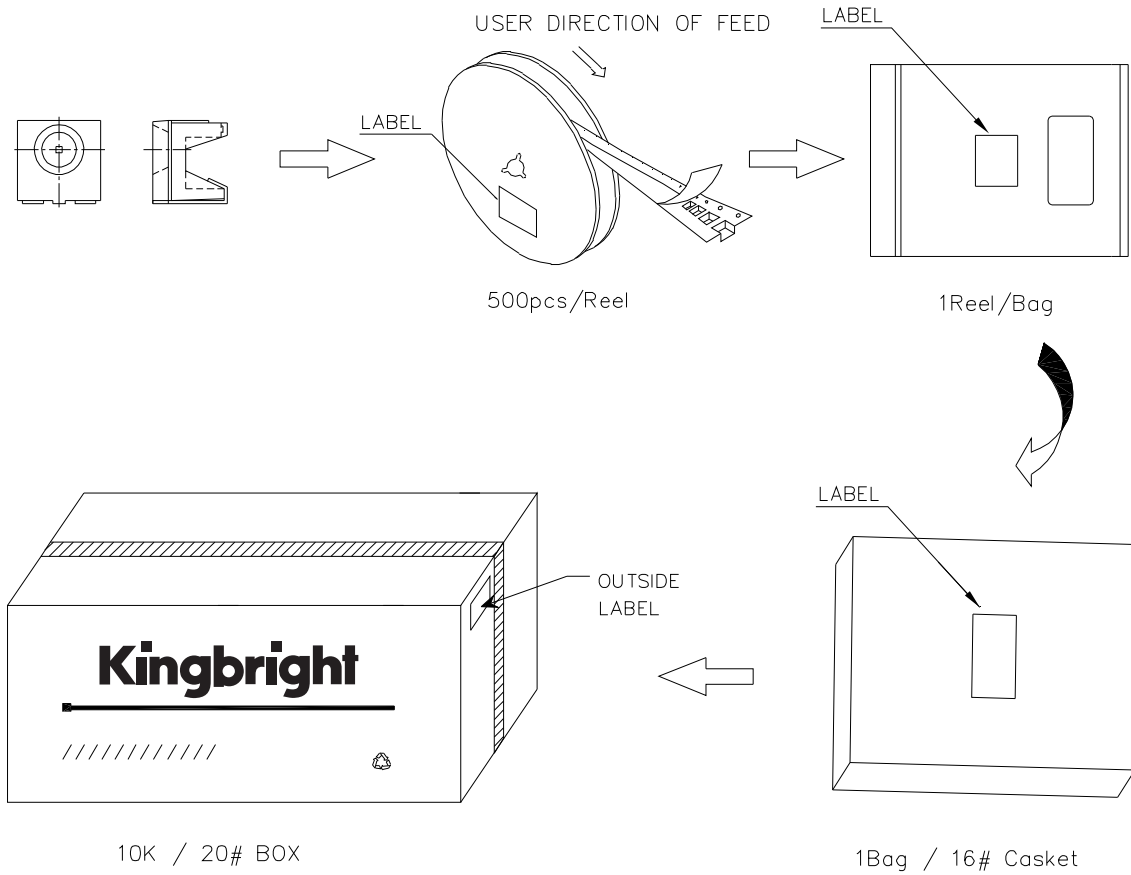



Tape Specifications (Units : mm)



PACKING & LABEL SPECIFICATIONS

AA4040PGC



| | |
|--|---|
| Kingbright | |
| P/NO: AA4040XXX | |
| QTY: 500 pcs | Q.C. Q C xx xx. xxxx PASSED |
| S/N: XXXX | Date |
| CODE: XXX | |
| LOT NO: | |
|  <small>xxxxxxxxxxxxxxxxxxxxxxxxxxxx</small> | |
| RoHS Compliant | |

Remarks:

If special sorting is required (e.g. binning based on forward voltage, luminous intensity or wavelength), the typical accuracy of the sorting process is as follows:

1. Wavelength: +/-1nm
2. Luminous Intensity: +/-15%
3. Forward Voltage: +/-0.1V

Note: Accuracy may depend on the sorting parameters.