

AT-CUT LOW COST CERAMIC SMD CRYSTAL



6.0 x 3.5 x 1.2 mm

ABM63C



RoHS
Compliant

FEATURES:

- Industrial standard package 6.0x3.5, 4 pads
- Ideal for Cost Sensitive Commercial Electronics
- Suitable for High Volume Applications

APPLICATIONS:

- Laptop computers
- Computer peripherals
- Home network modem

STANDARD SPECIFICATIONS:

PARAMETERS

ABRACON P/N:	ABM63C Series
Frequency range:	8.0 MHz to 48 MHz
Operation Mode:	AT-cut (Fundamental for <40MHz, 3rd OT for >40MHz)
Operating temperature:	-10°C to + 60°C (see options)
Storage temperature:	-40°C to +85°C
Freq. Tolerance at +25° C:	± 30ppm max. (Contact ABRACON for tighter tolerance)
Freq. stability over operating temperature (Ref to +25° C):	± 50ppm max. (Contact ABRACON for tighter stability)
Equivalent series resistance:	See Table 1
Shunt capacitance C0:	7pF max
Load capacitance CL:	18pF (see option)
Drive Level:	100uW max
Aging @ 25°C per year:	±10ppm max
Insulation Resistance:	500Mohms min at 100Vdc ± 15V

TABLE 1

Frequency (MHz)	ESR (Ω)
8.000 - 11.999	80
12.000 - 16.000	60
16.001 - 40.000	40
40.001 - 48.008	Contact ABRACON

Test Condition

Parts shall be tested under the condition of +20±15°C of the temperature, +65%±20%RH of the humidity unless the standard condition of +25±2°C of the temperature, +65%±5%RH of the humidity is specified.

OPTIONS AND PART IDENTIFICATION:

(Left blank if standard)

ABM63C - Frequency - - -

Frequency
XX.XXXX MHz

Load Capacitance
Please specify CL in pF (From 12 to 30)

Operating Temp.	
E	0°C ~ +70°C
B	-20°C ~ +70°C

Packaging	
Blank	Bulk
T	Tape & Reel

Please NOTE: This part is not recommended for high reliability applications such as automotive, medical, or safety related applications. Please contact ABRACON for information regarding our high reliability products and for application assistance.

ABRACON IS
ISO 9001 / QS 9000
CERTIFIED



ABRACON
CORPORATION

Visit www.abracon.com for Terms & Conditions of Sale **Revised: 08.02.07**
30332 Esperanza, Rancho Santa Margarita, California 92688
tel 949-546-8000 | fax 949-546-8001 | www.abracon.com

AT-CUT LOW COST CERAMIC SMD CRYSTAL

ABM63C

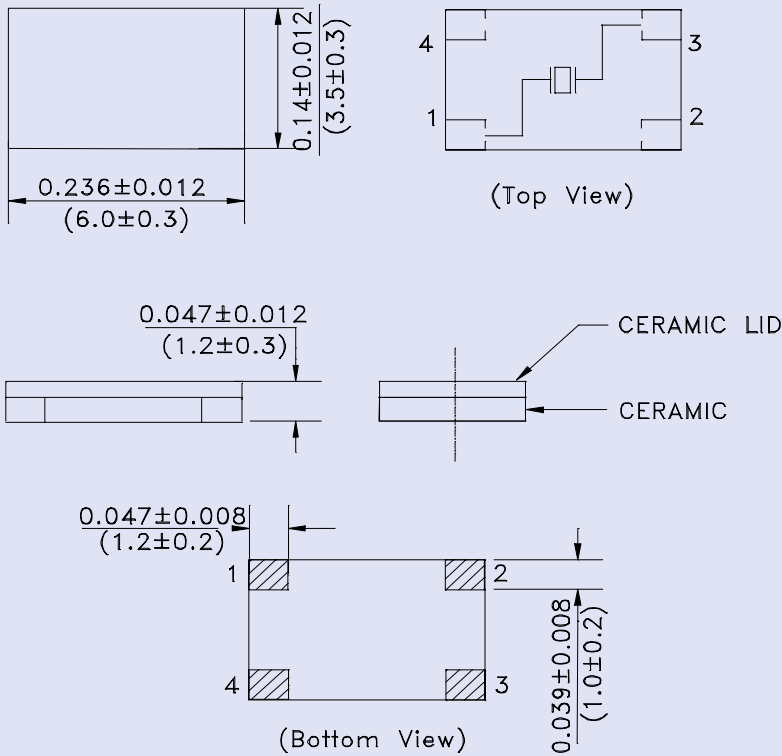
ABM63C



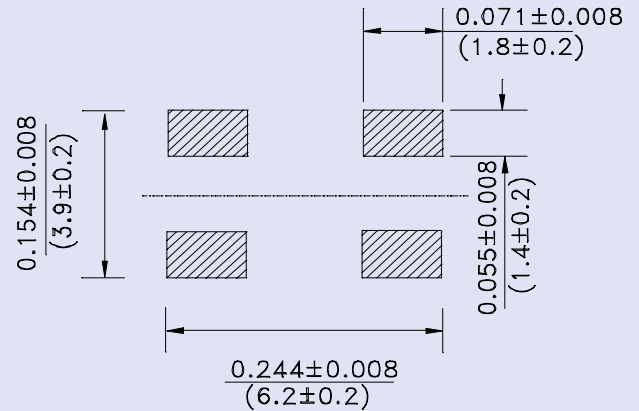
RoHS
Compliant

6.0 x 3.5 x 1.2 mm

OUTLINE DRAWING:

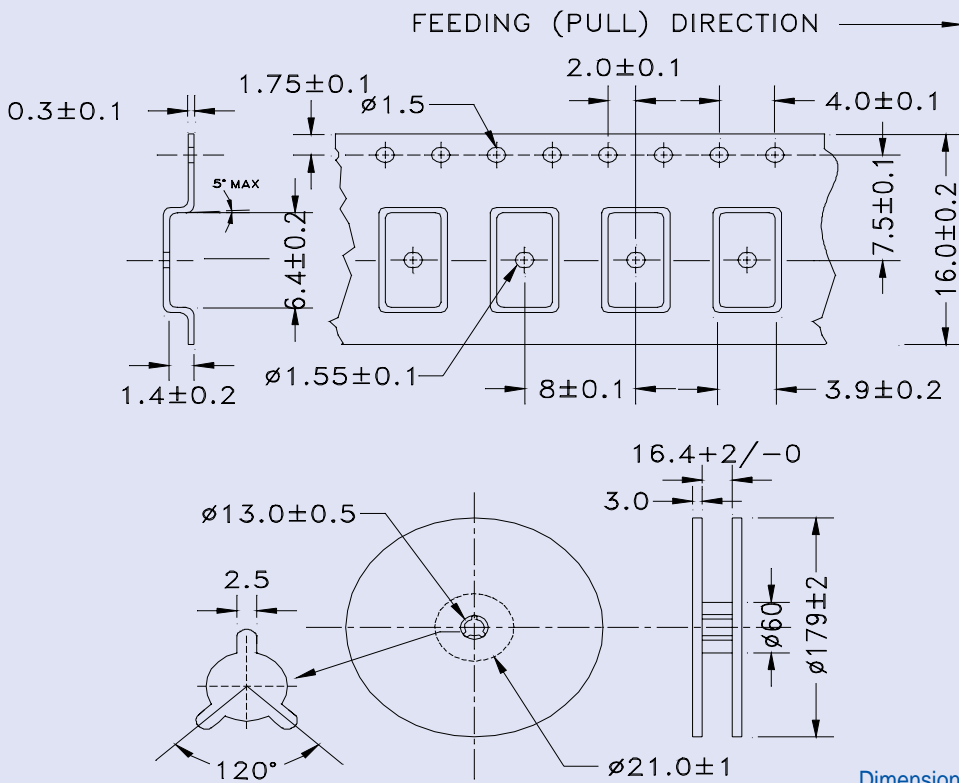


Recommended Land Pattern



Dimensions: inches (mm)

TAPE & REEL: T = Tape and reel 1,000pcs/reel



Dimensions: mm

Please NOTE: This part is not recommended for high reliability applications such as automotive, medical, or safety related applications. Please contact ABRACON for information regarding our high reliability products and for application assistance.

ABRACON IS
ISO 9001 / QS 9000
CERTIFIED



Visit www.abracon.com for Terms & Conditions of Sale **Revised: 08.02.07**
 30332 Esperanza, Rancho Santa Margarita, California 92688
 tel 949-546-8000 | fax 949-546-8001 | www.abracon.com