



# CERAMIC SURFACE MOUNT LOW PROFILE MICROPROCESSOR CRYSTAL

ABMM1

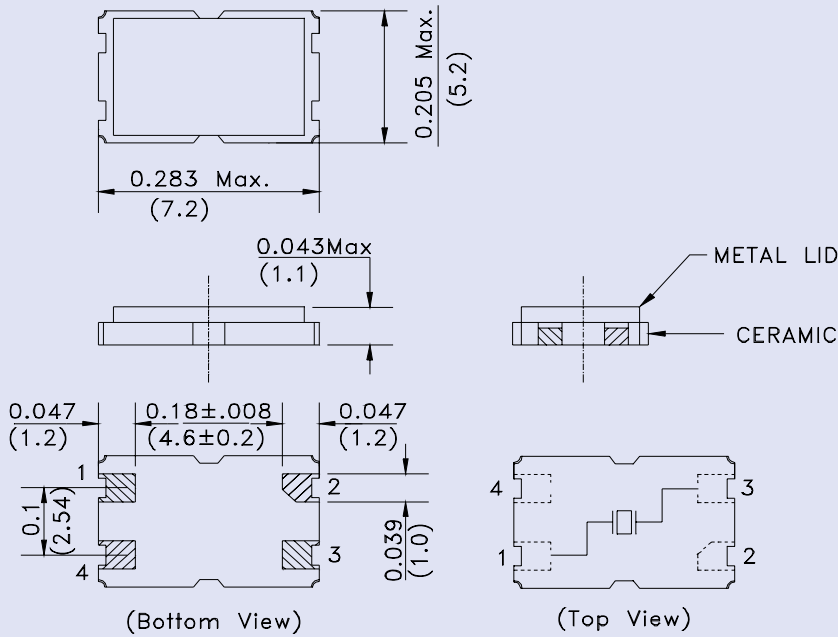


RoHS  
Compliant

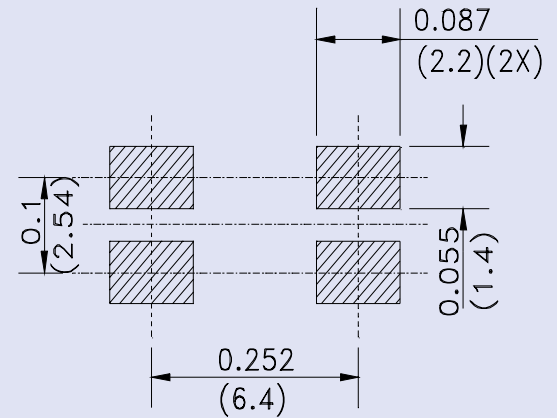


1.6 x 1.1 x 0.45 mm

## OUTLINE DRAWING:



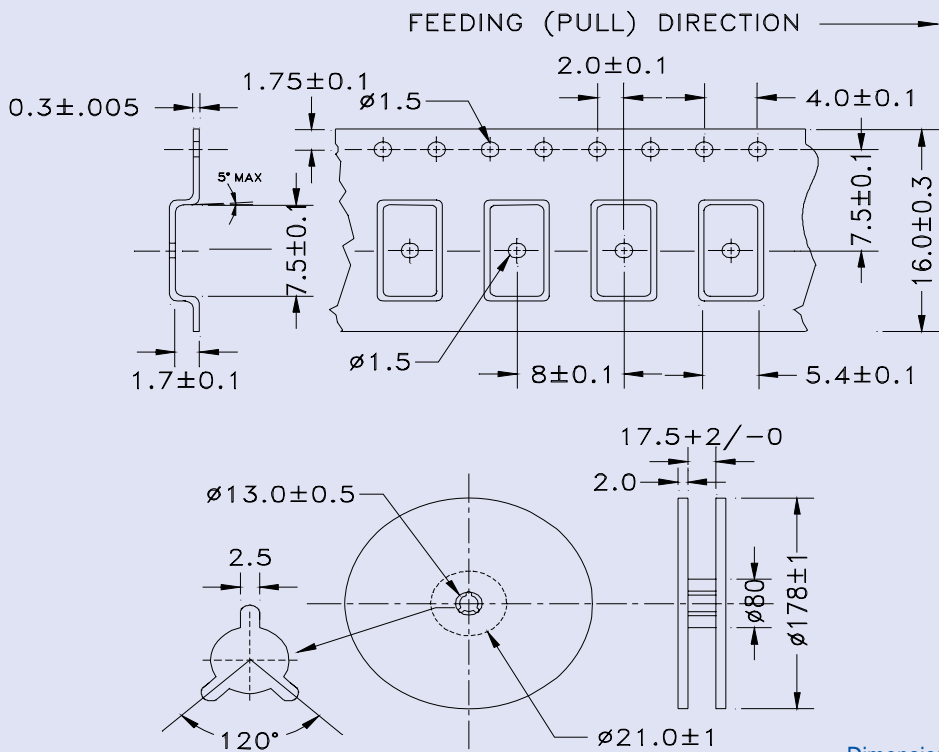
## Recommended Land Pattern



Pads 2 and 4 are connected to metal lid.

Dimensions: mm

## TAPE & REEL:



Dimensions: mm

ABRACON IS  
ISO 9001 / QS 9000  
CERTIFIED



Visit [www.abracon.com](http://www.abracon.com) for Terms & Conditions of Sale **Revised: 07.10.07**

30332 Esperanza, Rancho Santa Margarita, California 92688

tel 949-546-8000 | fax 949-546-8001 | [www.abracon.com](http://www.abracon.com)