

### FEATURES

- ±4000 V HBM ESD**
- High common-mode voltage range**
  - 2 V to +65 V operating
  - 5 V to +68 V survival
- Buffered output voltage**
- 5 mA output drive capability**
- Wide operating temperature range: –40°C to +125°C**
- Ratiometric half-scale output offset**
- Excellent ac and dc performance**
  - 3  $\mu\text{V}/^\circ\text{C}$  typical offset drift
  - 10 ppm/ $^\circ\text{C}$  typical gain drift
  - 120 db typical CMRR at dc
  - 80 db typical CMRR at 100 kHz
- Available in 8-lead SOIC**

### APPLICATIONS

- Current sensing**
  - Motor controls
  - Transmission controls
  - Diesel injection controls
  - Engine management
  - Suspension controls
  - Vehicle dynamic controls
  - DC-to-DC converters

### GENERAL DESCRIPTION

The AD8210 is a single-supply difference amplifier ideal for amplifying small differential voltages in the presence of large common-mode voltages. The operating input common-mode voltage range extends from –2 V to +65 V. The typical supply voltage is 5 V.

The AD8210 is offered in a SOIC package. The operating temperature range is –40°C to +125°C.

Excellent ac and dc performance over temperature keep errors in the measurement loop to a minimum. Offset drift and gain drift are guaranteed to a maximum of 8  $\mu\text{V}/^\circ\text{C}$  and 20 ppm/ $^\circ\text{C}$ , respectively.

### FUNCTIONAL BLOCK DIAGRAM

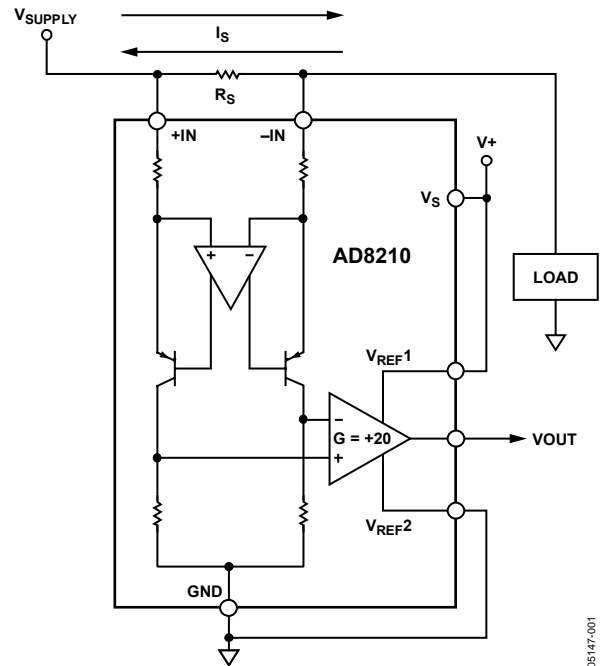


Figure 1.

05147-001

The output offset can be adjusted from 0.05 V to 4.9 V with a 5 V supply by using  $V_{\text{REF1}}$  pin and  $V_{\text{REF2}}$  pin. With the  $V_{\text{REF1}}$  pin attached to the  $V+$  pin, and the  $V_{\text{REF2}}$  pin attached to the GND pin, the output is set at half scale. Attaching both  $V_{\text{REF1}}$  and  $V_{\text{REF2}}$  to GND causes the output to be unipolar, starting near ground. Attaching both  $V_{\text{REF1}}$  and  $V_{\text{REF2}}$  to  $V+$  causes the output to be unipolar, starting near  $V+$ . Other offsets can be obtained by applying an external voltage to  $V_{\text{REF1}}$  and  $V_{\text{REF2}}$ .

#### Rev. 0

Information furnished by Analog Devices is believed to be accurate and reliable. However, no responsibility is assumed by Analog Devices for its use, nor for any infringements of patents or other rights of third parties that may result from its use. Specifications subject to change without notice. No license is granted by implication or otherwise under any patent or patent rights of Analog Devices. Trademarks and registered trademarks are the property of their respective owners.

## TABLE OF CONTENTS

Features .....	1	Modes of Operation .....	11
Applications.....	1	Unidirectional Operation.....	11
Functional Block Diagram .....	1	Bidirectional Operation.....	11
General Description .....	1	Input Filtering .....	13
Revision History .....	2	Applications.....	14
Specifications.....	3	High-Side Current Sense with a Low-Side Switch.....	14
Absolute Maximum Ratings.....	4	High-Side Current Sense with a High-Side Switch .....	14
ESD Caution.....	4	H-Bridge Motor Control.....	14
Pin Configuration and Function Descriptions.....	5	Outline Dimensions .....	15
Typical Performance Characteristics .....	6	Ordering Guide .....	15
Theory of Operation .....	10		

## REVISION HISTORY

4/06—Revision 0: Initial Version

## SPECIFICATIONS

$T_A$  = operating temperature range,  $V_S = 5$  V, unless otherwise noted.

Table 1.

Parameter	AD8210 SOIC <sup>1</sup>			Unit	Conditions
	Min	Typ	Max		
<b>GAIN</b>					
Initial		20		V/V	
Accuracy			±0.5	%	25°C, $V_O \geq 0.1$ V dc
Accuracy Over Temperature			±0.7	%	$T_A$
Gain Drift			20	ppm/°C	
<b>VOLTAGE OFFSET</b>					
Offset Voltage (RTI)			±1.0	mV	25°C
Over Temperature (RTI)			±1.8	mV	$T_A$
Offset Drift			±8.0	μV/°C	
<b>INPUT</b>					
Input Impedance					
Differential		2		kΩ	
Common Mode		5		MΩ	$V$ common mode > 5 V
Common Mode		3.5		kΩ	$V$ common mode < 5 V
Common-Mode Input Voltage Range	-2		+65	V	Common mode, continuous
Differential Input Voltage Range		250		mV	Differential <sup>2</sup>
Common-Mode Rejection	100	120		dB	$T_A$ , $f =$ dc, $V_{CM} > 5$ V
	80	95		dB	$T_A$ , $f =$ dc to 100 kHz <sup>3</sup> , $V_{CM} < 5$ V
		80		dB	$T_A$ , $f = 100$ kHz <sup>3</sup> , $V_{CM} > 5$ V
	80			dB	$T_A$ , $f = 40$ kHz <sup>3</sup> , $V_{CM} > 5$ V
<b>OUTPUT</b>					
Output Voltage Range	0.05		4.9	V	$R_L = 25$ kΩ
Output Impedance		2		Ω	
<b>DYNAMIC RESPONSE</b>					
Small Signal -3 dB Bandwidth		450		kHz	
Slew Rate		3		V/μs	
<b>NOISE</b>					
0.1 Hz to 10 Hz, RTI		7		μV p-p	
Spectral Density, 1 kHz, RTI		70		nV/√Hz	
<b>OFFSET ADJUSTMENT</b>					
Ratiometric Accuracy <sup>4</sup>	0.499		0.501	V/V	Divider to supplies
Accuracy, RTO			±0.6	mV/V	Voltage applied to $V_{REF1}$ and $V_{REF2}$ in parallel
Output Offset Adjustment Range	0.05		4.9	V	$V_S = 5$ V
$V_{REF}$ Input Voltage Range	0.0		$V_S$	V	
$V_{REF}$ Divider Resistor Values	24	32	40	kΩ	
<b>POWER SUPPLY</b>					
Operating Range	4.5	5.0	5.5	V	
Quiescent Current Over Temperature			2	mA	$V_{CM} > 5$ V <sup>5</sup>
Power Supply Rejection Ratio	80			dB	
<b>TEMPERATURE RANGE</b>					
For Specified Performance	-40		+125	°C	

<sup>1</sup>  $T_{MIN}$  to  $T_{MAX} = -40^\circ\text{C}$  to  $+125^\circ\text{C}$ .

<sup>2</sup> Differential input voltage range =  $\pm 125$  mV with half-scale output offset.

<sup>3</sup> Source imbalance < 2 Ω.

<sup>4</sup> The offset adjustment is ratiometric to the power supply when  $V_{REF1}$  and  $V_{REF2}$  are used as a divider between the supplies.

<sup>5</sup> When the input common mode is less than 5 V, the supply current increases. This can be calculated with the following formula:  $I_S = -0.7 (V_{CM}) + 4.2$  (see Figure 21).

# AD8210

## ABSOLUTE MAXIMUM RATINGS

Table 2.

Parameter	Rating
Supply Voltage	12.5 V
Continuous Input Voltage ( $V_{CM}$ )	-5 V to +68 V
Reverse Supply Voltage	0.3 V
ESD Rating	
HBM (Human Body Model)	±4000 V
CDM (Charged Device Model)	±1000 V
Operating Temperature Range	-40°C to +125°C
Storage Temperature Range	-65°C to +150°C
Output Short-Circuit Duration	Indefinite

Stresses above those listed under Absolute Maximum Ratings may cause permanent damage to the device. This is a stress rating only; functional operation of the device at these or any other conditions above those indicated in the operational section of this specification is not implied. Exposure to absolute maximum rating conditions for extended periods may affect device reliability.

### ESD CAUTION

ESD (electrostatic discharge) sensitive device. Electrostatic charges as high as 4000 V readily accumulate on the human body and test equipment and can discharge without detection. Although this product features proprietary ESD protection circuitry, permanent damage may occur on devices subjected to high energy electrostatic discharges. Therefore, proper ESD precautions are recommended to avoid performance degradation or loss of functionality.



## PIN CONFIGURATION AND FUNCTION DESCRIPTIONS

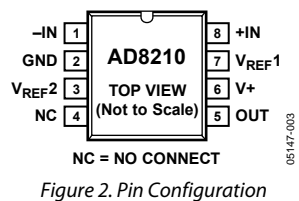


Figure 2. Pin Configuration

Table 3. Pin Function Descriptions

Pin No.	Mnemonic	X	Y
1	-IN	-443	+584
2	GND	-479	+428
3	V <sub>REF2</sub>	-466	-469
4	NC		
5	OUT	+466	-537
6	V+	+501	-95
7	V <sub>REF1</sub>	+475	+477
8	+IN	+443	+584

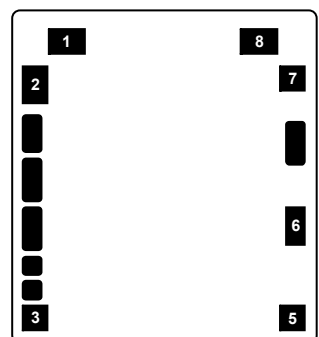


Figure 3. Metallization Diagram

TYPICAL PERFORMANCE CHARACTERISTICS

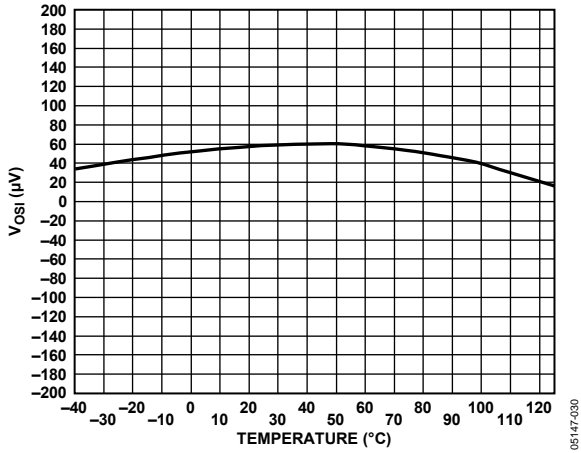


Figure 4. Typical Offset Drift

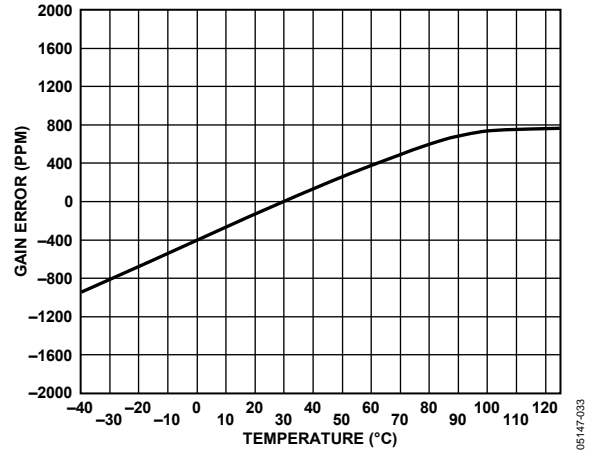


Figure 7. Typical Gain Drift

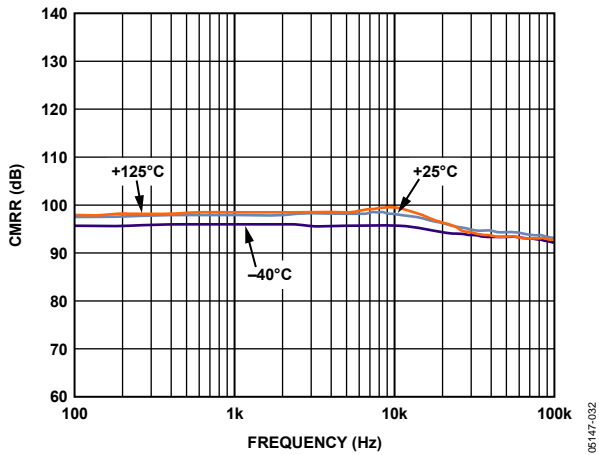


Figure 5. CMRR vs. Frequency and Temperature (Common-Mode Voltage < 5 V)

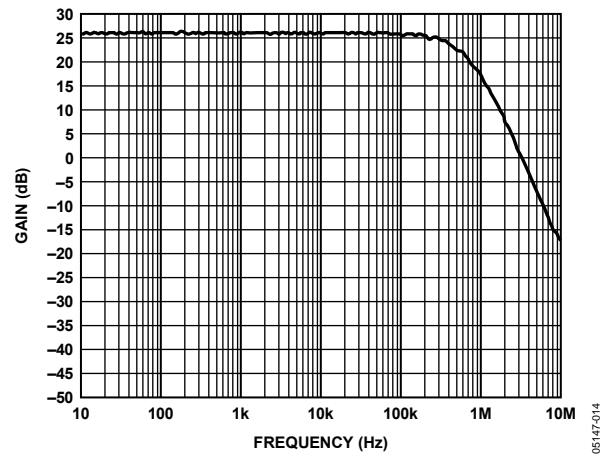


Figure 8. Typical Small Signal Bandwidth ( $V_{OUT} = 200 \text{ mV p-p}$ )

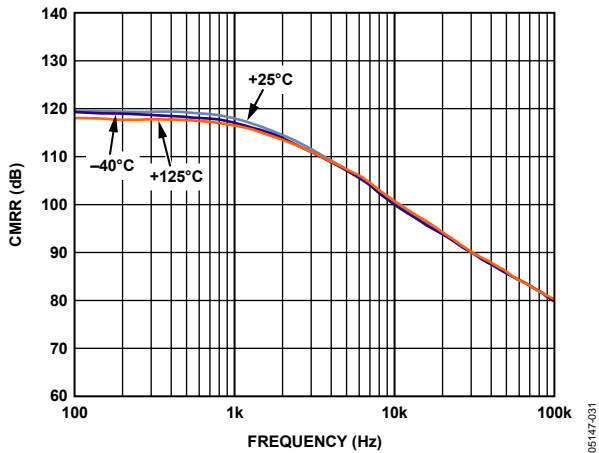


Figure 6. CMRR vs. Frequency and Temperature (Common-Mode Voltage > 5 V)

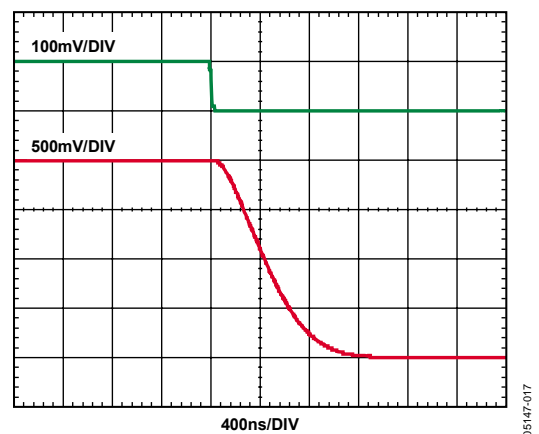


Figure 9. Fall Time

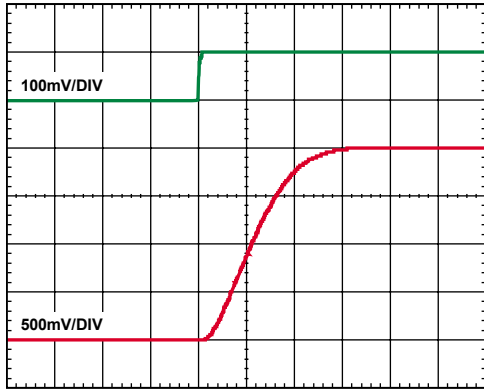


Figure 10. Rise Time

05147-018

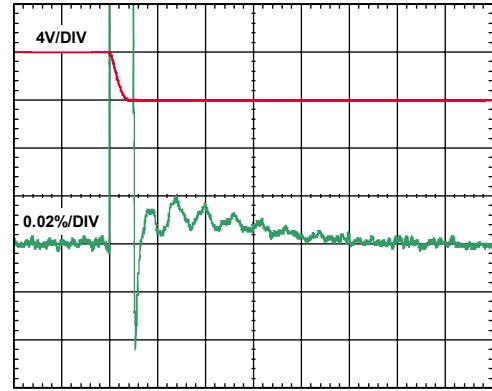


Figure 13. Settling Time (Falling)

05147-024

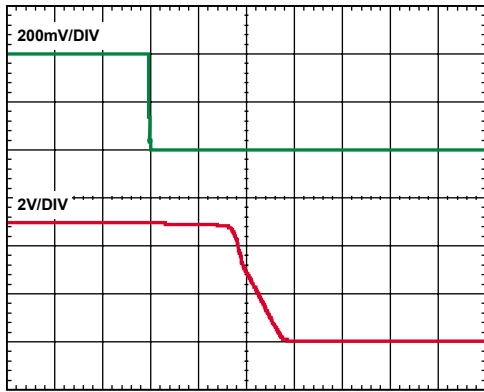


Figure 11. Differential Overload Recovery (Falling)

05147-016

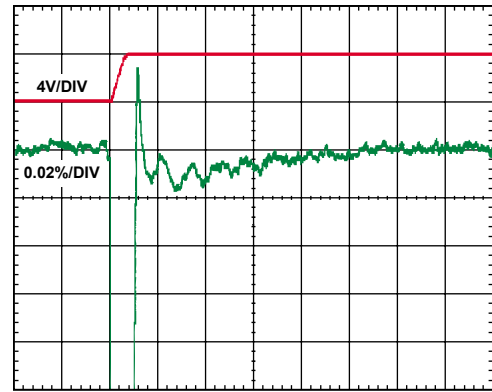


Figure 14. Settling Time (Rising)

05147-025

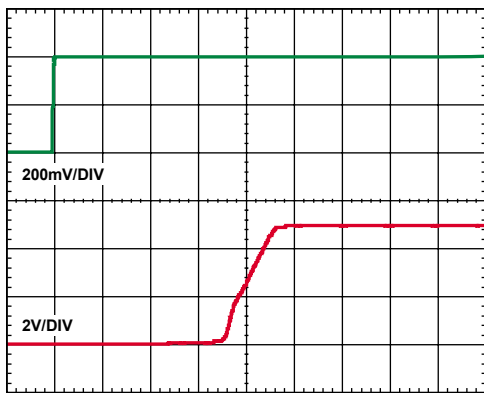


Figure 12. Differential Overload Recovery (Rising)

05147-015

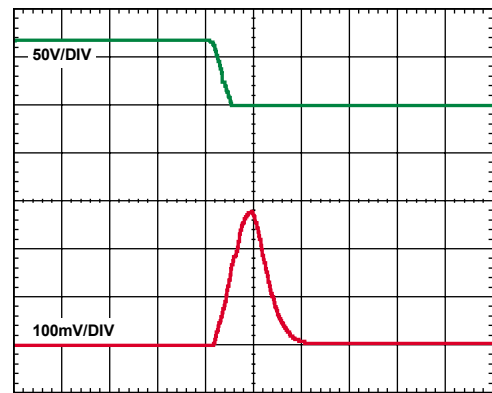


Figure 15. Common-Mode Response (Falling)

05147-019

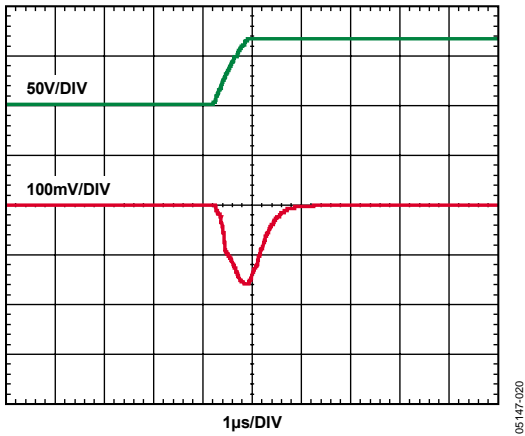


Figure 16. Common-Mode Response (Rising)

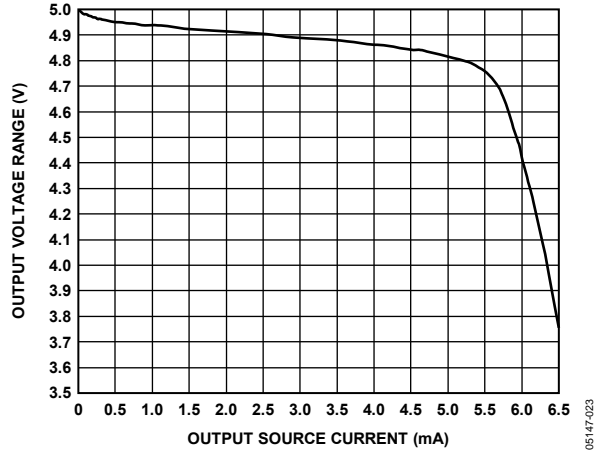


Figure 19. Output Voltage Range vs. Output Source Current

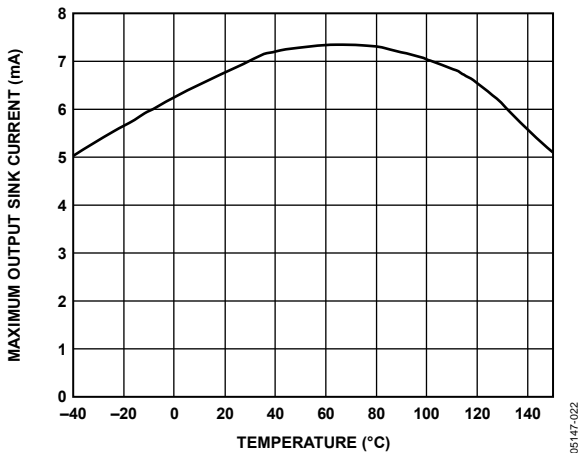


Figure 17. Output Sink Current vs. Temperature

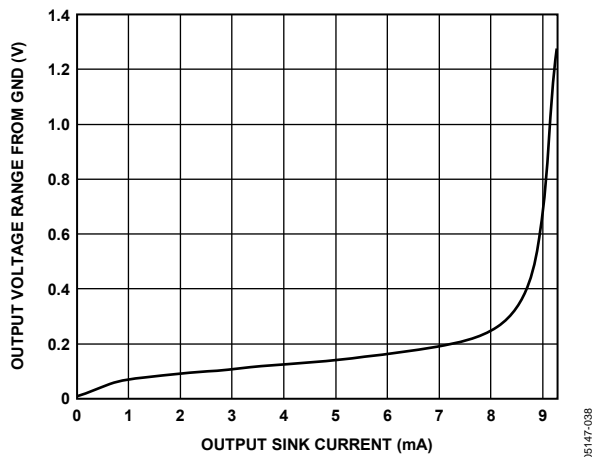


Figure 20. Output Voltage Range from GND vs. Output Sink Current

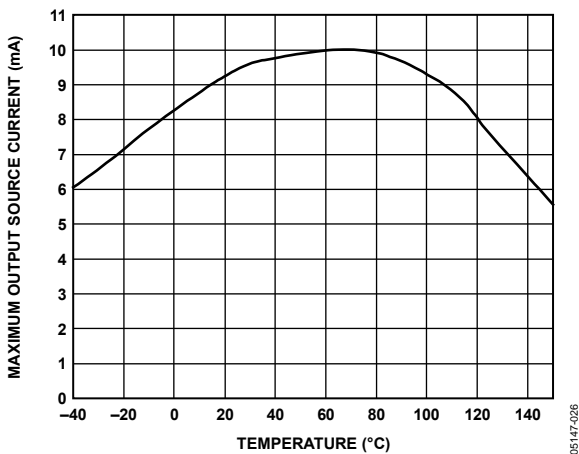


Figure 18. Output Source Current vs. Temperature

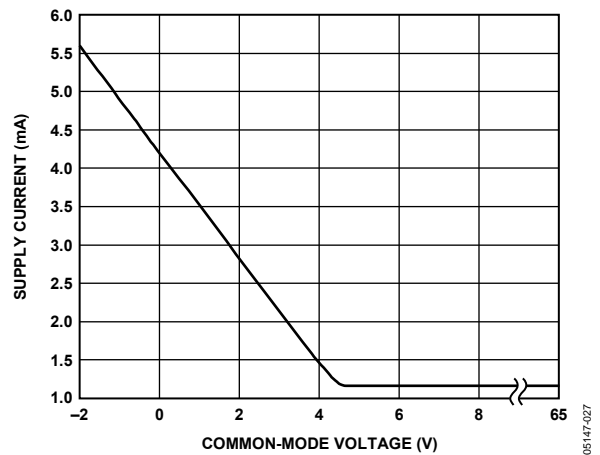


Figure 21. Supply Current vs. Common-Mode Voltage



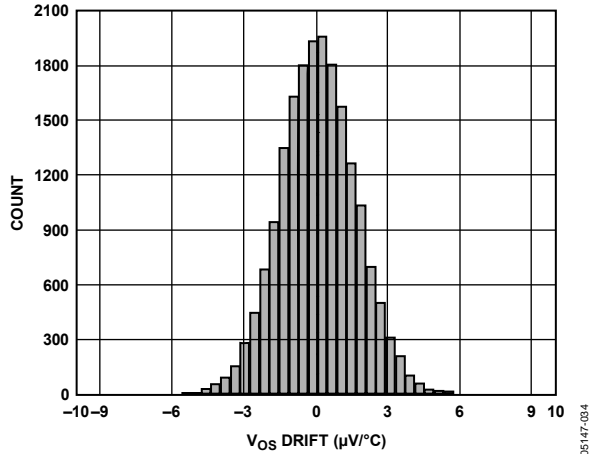


Figure 22. Offset Drift Distribution ( $\mu\text{V}/^\circ\text{C}$ ), SOIC, Temperature Range =  $-40^\circ\text{C}$  to  $+125^\circ\text{C}$

05147-034

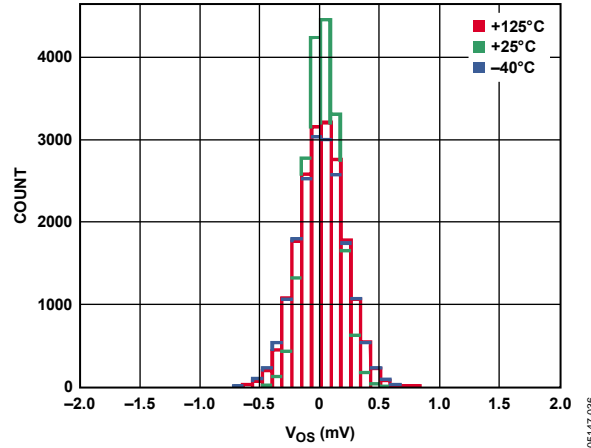


Figure 24. Offset Distribution ( $\mu\text{V}$ ), SOIC,  $V_{CM} = 5\text{ V}$

05147-036

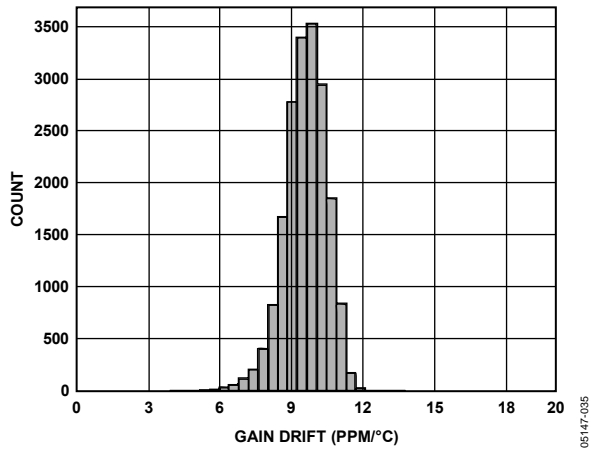


Figure 23. Gain Drift Distribution ( $\text{PPM}/^\circ\text{C}$ ), SOIC, Temperature =  $-40^\circ\text{C}$  to  $+125^\circ\text{C}$

05147-035

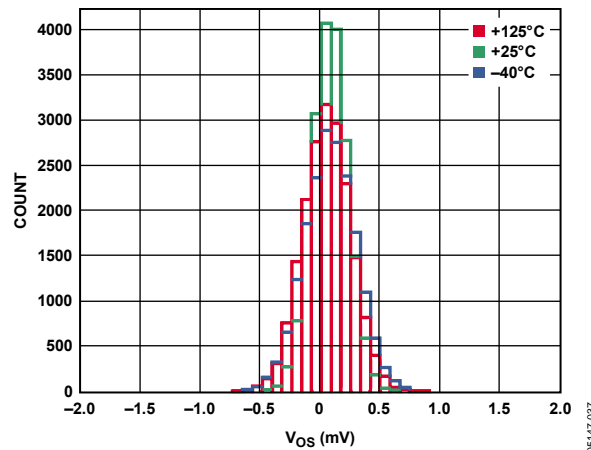


Figure 25. Offset Distribution ( $\mu\text{V}$ ), SOIC,  $V_{CM} = 0\text{ V}$

05147-037

## THEORY OF OPERATION

In typical applications, the AD8210 amplifies a small differential input voltage generated by the load current flowing through a shunt resistor. The AD8210 rejects high common-mode voltages (up to 65 V) and provides a ground referenced buffered output that interfaces with an analog-to-digital converter. Figure 26 shows a simplified schematic of the AD8210.

The AD8210 is comprised of two main blocks, a differential amplifier and an instrumentation amplifier. A load current flowing through the external shunt resistor produces a voltage at the input terminals of the AD8210. The input terminals are connected to the differential amplifier (A1) by Resistor R1 and Resistor R2. A1 nulls the voltage appearing across its own input terminals by adjusting the current through R1 and R2 with Transistor Q1 and Transistor Q2. When the input signal to the AD8210 is 0 V, the currents in R1 and R2 are equal. When the

differential signal is nonzero, the current increases through one of the resistors and decreases in the other. The current difference is proportional to the size and polarity of the input signal.

The differential currents through Q1 and Q2 are converted into a differential voltage by R3 and R4. A2 is configured as an instrumentation amplifier. The differential voltage is converted into a single-ended output voltage by A2. The gain is internally set with precision trimmed, thin film resistors to 20 V/V.

The output reference voltage is easily adjusted by the  $V_{REF1}$  pin and  $V_{REF2}$  pin. In a typical configuration,  $V_{REF1}$  is connected to  $V_{CC}$  while  $V_{REF2}$  is connected to GND. In this case, the output is centered at  $V_{CC}/2$  when the input signal is 0 V.

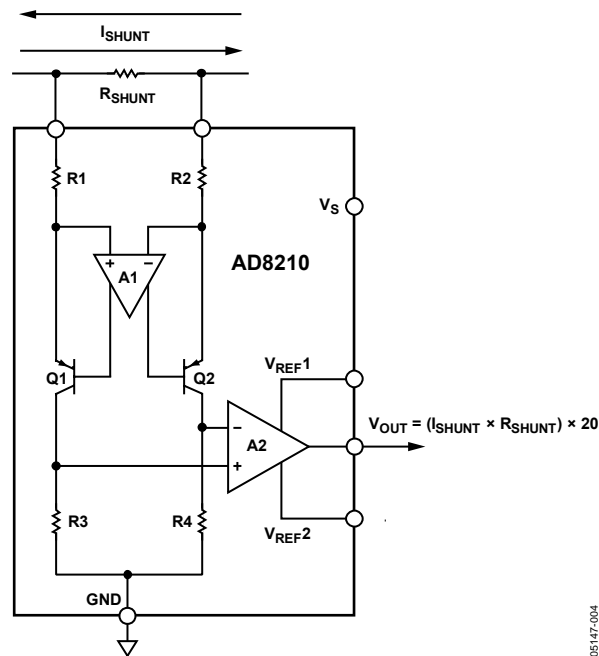


Figure 26. Simplified Schematic

05147-004

## MODES OF OPERATION

The AD8210 can be adjusted for unidirectional or bidirectional operation.

### UNIDIRECTIONAL OPERATION

Unidirectional operation allows the AD8210 to measure currents through a resistive shunt in one direction. The basic modes for unidirectional operation are ground referenced output mode and V+ referenced output mode.

In unidirectional operation, the output can be set at the negative rail (near ground) or at the positive rail (near V+) when the differential input is 0 V. The output moves to the opposite rail when a correct polarity differential input voltage is applied. In this case, full scale is approximately 250 mV. The required polarity of the differential input depends on the output voltage setting. If the output is set at ground, then the polarity needs to be positive to move the output up (see Table 5). If the output is set at the positive rail, then the input polarity needs to be negative to move the output down (see Table 6).

#### Ground Referenced Output

When using the AD8210 in this mode, both reference inputs are tied to ground, which causes the output to sit at the negative rail when the differential input voltage is zero (see Figure 27 and Table 4).

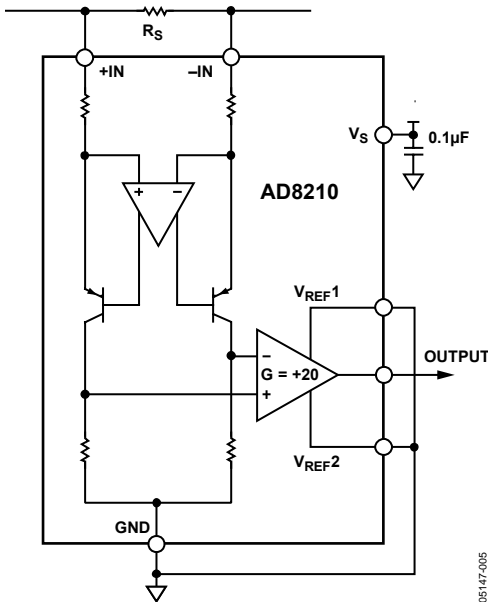


Figure 27. Ground Referenced Output

Table 4. V+ = 5 V

V <sub>IN</sub> (Referred to -IN)	V <sub>O</sub>
0 V	0.05 V
250 mV	4.9 V

#### V+ Referenced Output

This mode is set when both reference pins are tied to the positive supply. It is typically used when the diagnostic scheme requires detection of the amplifier and wiring before power is applied to the load (see Figure 28 and Table 5).

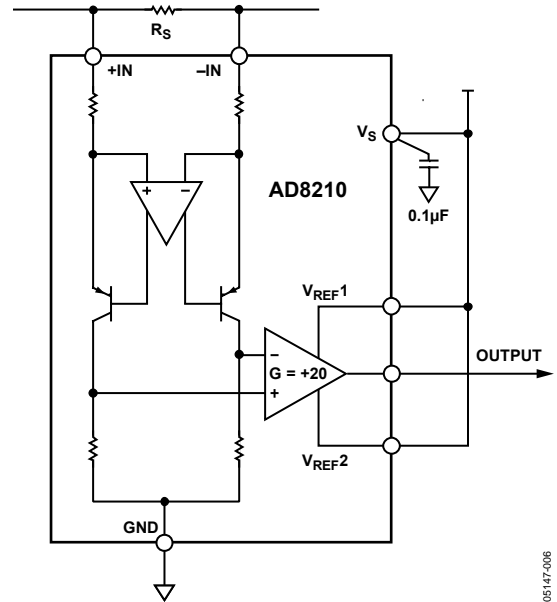


Figure 28. V+ Referenced Output

Table 5. V+ = 5 V

V <sub>IN</sub> (Referred to -IN)	V <sub>O</sub>
0 V	4.9 V
-250 mV	0.05 V

### BIDIRECTIONAL OPERATION

Bidirectional operation allows the AD8210 to measure currents through a resistive shunt in two directions. The output offset can be set anywhere within the output range. Typically, it is set at half scale for equal measurement range in both directions. In some cases, however, it is set at a voltage other than half scale when the bidirectional current is nonsymmetrical.

Table 6. V+ = 5 V, V<sub>O</sub> = 2.5 V with V<sub>IN</sub> = 0 V

V <sub>IN</sub> (Referred to -IN)	V <sub>O</sub>
+125 mV	4.9 V
-125 mV	0.05 V

Adjusting the output can also be accomplished by applying voltage(s) to the reference inputs.

# AD8210

## External Referenced Output

Tying both  $V_{REF}$  pins together to an external reference produces an output offset at the reference voltage when there is no differential input (see Figure 29). When the input is negative relative to the  $-IN$  pin, the output moves down from the reference voltage. When the input is positive relative to the  $-IN$  pin, the output increases.

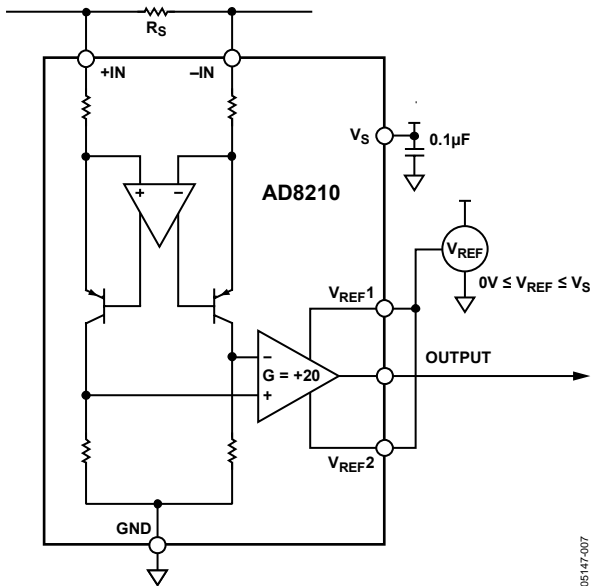


Figure 29. External Reference Output

## Splitting an External Reference

In this case, an external reference is divided by two with an accuracy of approximately 0.2% by connecting one  $V_{REF}$  pin to ground and the other  $V_{REF}$  pin to the reference voltage (see Figure 30).

Note that Pin  $V_{REF1}$  and Pin  $V_{REF2}$  are tied to internal precision resistors that connect to an internal offset node. There is no operational difference between the pins.

For proper operation, the AD8210 output offset should not be set with a resistor voltage divider. Any additional external resistance could create a gain error. A low impedance voltage source should be used to set the output offset of the AD8210.

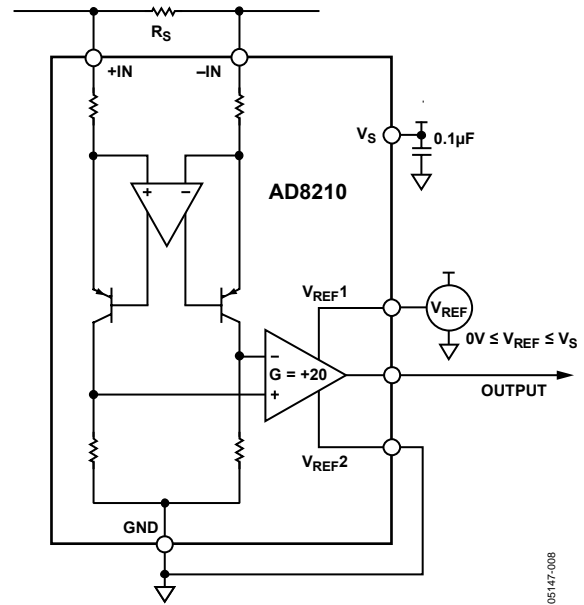


Figure 30. Split External Reference

## Splitting the Supply

By tying one reference pin to  $V+$  and the other to the GND pin, the output is set at mid supply when there is no differential input (see Figure 31). This mode is beneficial because no external reference is required to offset the output for bidirectional current measurement. This creates a midscale offset that is ratiometric to the supply, meaning that if the supply increases or decreases, the output still remains at half scale. For example, if the supply is 5.0 V, the output is at half scale or 2.5 V. If the supply increases by 10% (to 5.5 V), the output also increases by 10% (2.75 V).

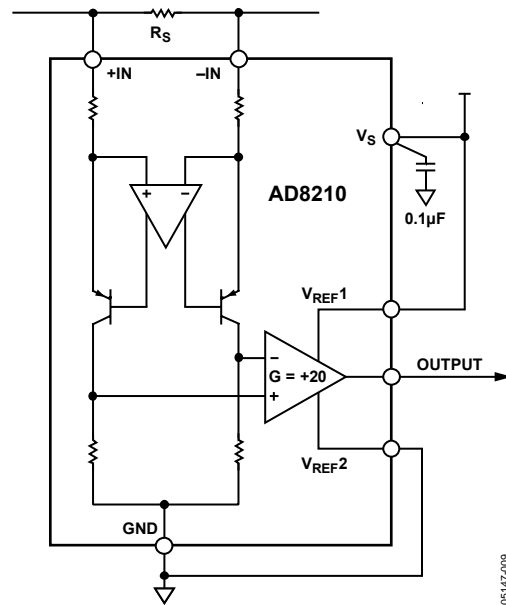


Figure 31. Split Supply

## INPUT FILTERING

In typical applications such as motor and solenoid current sensing, filtering at the input of the AD8210 can be beneficial in reducing differential noise, as well as transients and current ripples flowing through the input shunt resistor. An input low-pass filter can be implemented as shown in Figure 32.

The 3 dB frequency for this filter can be calculated using the following formula:

$$f_{-3\text{ dB}} = \frac{1}{2\pi \times R_{\text{FILTER}} \times C_{\text{FILTER}}} \quad (1)$$

Adding outside components such as  $R_{\text{FILTER}}$  and  $C_{\text{FILTER}}$  introduces additional errors to the system. To minimize these errors as much as possible, it is recommended that  $R_{\text{FILTER}}$  be 10  $\Omega$  or lower. By adding the  $R_{\text{FILTER}}$  in series with the 2 k $\Omega$  internal input resistors of the AD8210, a gain error is introduced. This can be calculated using the following formula:

$$\text{Gain Error}(\%) = 100 - \left( 100 \times \frac{2\text{ k}\Omega}{2\text{ k}\Omega - R_{\text{FILTER}}} \right) \quad (2)$$

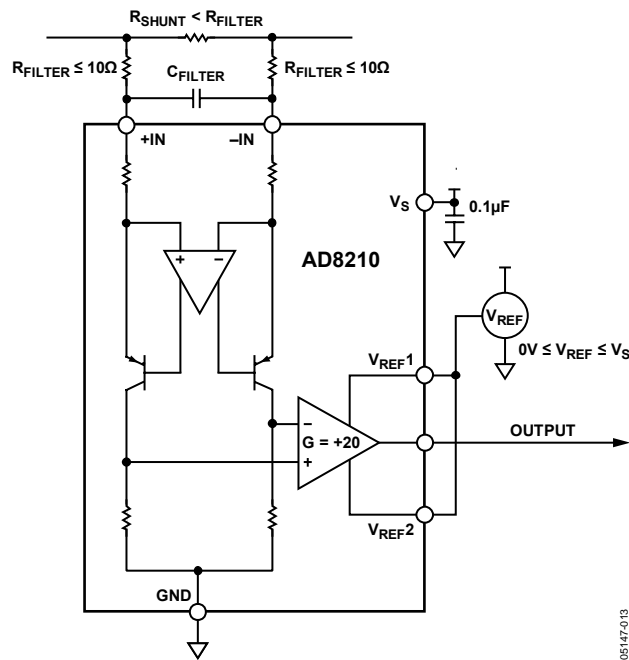


Figure 32. Input Low-Pass Filtering

06147-013

## APPLICATIONS

The AD8210 is ideal for high-side or low-side current sensing. Its accuracy and performance benefits applications such as 3-phase and H-bridge motor control, solenoid control, as well as power supply current monitoring.

For solenoid control, two typical circuit configurations are used: high-side current sense with a low-side switch, and high-side current sense with a high-side switch.

### HIGH-SIDE CURRENT SENSE WITH A LOW-SIDE SWITCH

In this case, the PWM control switch is ground referenced. An inductive load (solenoid) is tied to a power supply. A resistive shunt is placed between the switch and the load (see Figure 33). An advantage of placing the shunt on the high side is that the entire current, including the recirculation current, can be measured because the shunt remains in the loop when the switch is off. In addition, diagnostics can be enhanced because short circuits to ground can be detected with the shunt on the high side.

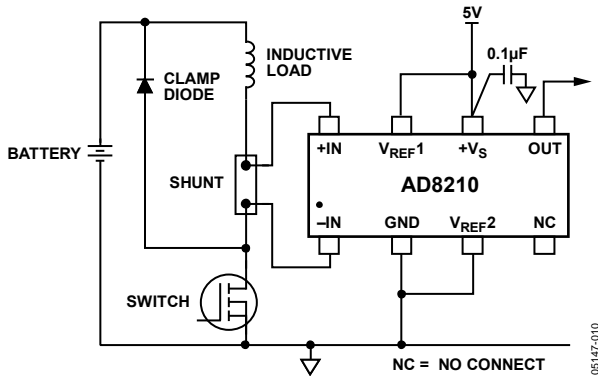


Figure 33. Low-Side Switch

In this circuit configuration, when the switch is closed, the common-mode voltage moves down to the negative rail. When the switch is opened, the voltage reversal across the inductive load causes the common-mode voltage to be held one diode drop above the battery by the clamp diode.

### HIGH-SIDE CURRENT SENSE WITH A HIGH-SIDE SWITCH

This configuration minimizes the possibility of unexpected solenoid activation and excessive corrosion (see Figure 34). In this case, both the switch and the shunt are on the high side. When the switch is off, the battery is removed from the load, which prevents damage from potential short circuits to ground, while still allowing the recirculation current to be measured and diagnostics to be performed. Removing the power supply from the load for the majority of the time minimizes the corrosive effects that could be caused by the differential voltage between the load and ground.

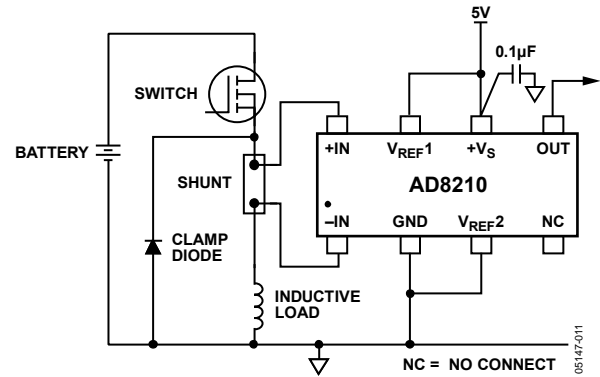


Figure 34. High-Side Switch

Using a high-side switch connects the battery voltage to the load when the switch is closed. This causes the common-mode voltage to increase to the battery voltage. In this case, when the switch is opened, the voltage reversal across the inductive load causes the common-mode voltage to be held one diode drop below ground by the clamp diode.

### H-BRIDGE MOTOR CONTROL

Another typical application for the AD8210 is as part of the control loop in H-bridge motor control. In this case, the AD8210 is placed in the middle of the H-bridge (see Figure 35) so that it can accurately measure current in both directions by using the shunt available at the motor. This configuration is beneficial for measuring the recirculation current to further enhance the control loop diagnostics.

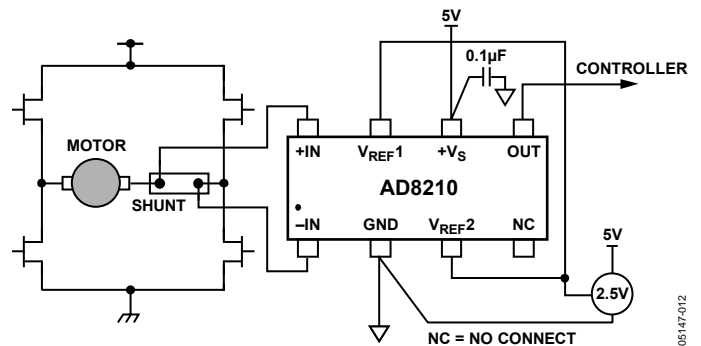
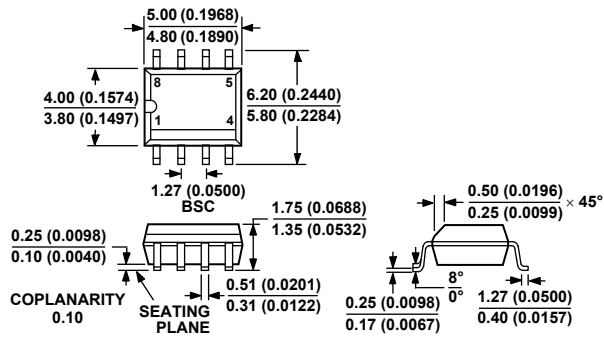


Figure 35. Motor Control Application

The AD8210 measures current in both directions as the H-bridge switches and the motor changes direction. The output of the AD8210 is configured in an external reference bidirectional mode; see the Modes of Operation section.

## OUTLINE DIMENSIONS



COMPLIANT TO JEDEC STANDARDS MS-012-AA  
 CONTROLLING DIMENSIONS ARE IN MILLIMETERS; INCH DIMENSIONS  
 (IN PARENTHESES) ARE ROUNDED-OFF MILLIMETER EQUIVALENTS FOR  
 REFERENCE ONLY AND ARE NOT APPROPRIATE FOR USE IN DESIGN

Figure 36. 8-Lead Standard Small Outline Package [SOIC\_N]  
 Narrow Body  
 (R-8)

Dimensions shown in millimeters and (inches)

## ORDERING GUIDE

Model	Temperature Range	Package Description	Package Option
AD8210YRZ <sup>1</sup>	-40°C to +125°C	8-Lead SOIC_N	R-8
AD8210YRZ-REEL <sup>1</sup>	-40°C to +125°C	8-Lead SOIC_N, 13" Tape and Reel	R-8
AD8210YRZ-REEL <sup>7</sup>	-40°C to +125°C	8-Lead SOIC_N, 7" Tape and Reel	R-8

<sup>1</sup> Z = Pb-free part.

**AD8210**

**NOTES**