

# THRU-HOLE RADIAL POWER INDUCTORS



## AIRH-03, -05, -10, -15 SERIES

### FEATURES:

- Ferrite core with UL tube
- Wire wound construction
- High current, low DCR

### OPTIONS:

- Bulk Pack is standard
- 10% is standard
- Other tolerance available

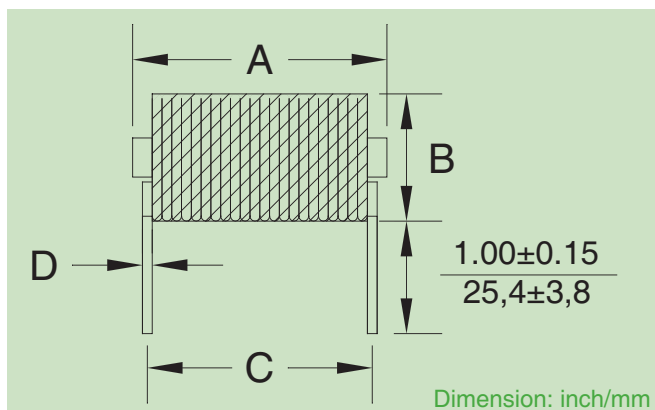
### APPLICATIONS:

- Electronic Appliance
- Power Supplies
- TRIAC/SCR Control Circuits

### STANDARD SPECIFICATIONS:

PART NO	L ( $\mu$ H) $\pm 10\%$	R <sub>DC</sub> ( $\Omega$ ) Max	I <sub>RATED</sub> (A) Max	I <sub>DC</sub> (A) Max	A Max	B Max	C Typical	D Typical
AIRH-03-50K	5	0.015	10.0	25	0.875/22,26	0.600/15,24	0.500/12,70	0.042/1,07
AIRH-03-100K	10	0.018	9.0	19	1.125/28,58	0.625/15,86	0.687/17,45	0.042/1,07
AIRH-03-270K	27	0.035	7.0	12	0.875/22,26	0.800/20,32	0.437/11,10	0.042/1,07
AIRH-03-500K	50	0.050	5.6	8	0.875/22,26	0.800/20,32	0.750/19,05	0.042/1,07
AIRH-03-101K	100	0.065	5.2	6	1.125/28,58	0.800/20,32	0.937/23,80	0.042/1,07
AIRH-03-151K	150	0.075	5.0	5	1.375/34,93	0.800/20,32	1.062/26,98	0.042/1,07
AIRH-03-251K	250	0.090	5.0	4	1.625/41,26	0.800/20,32	1.312/33,33	0.042/1,07
AIRH-05-50K	5	0.012	14.0	25	0.875/22,26	0.625/15,86	0.750/19,05	0.053/1,35
AIRH-05-100K	10	0.015	12.0	19	1.125/28,58	0.625/15,86	1.000/25,40	0.053/1,35
AIRH-05-270K	27	0.025	9.0	13	0.875/22,26	0.840/21,34	0.562/14,28	0.053/1,35
AIRH-05-500K	50	0.030	8.0	10	1.125/28,58	0.840/21,34	0.750/19,05	0.053/1,35
AIRH-05-680K	68	0.035	7.5	9	1.125/28,58	0.860/21,84	0.875/22,26	0.053/1,35
AIRH-05-101K	100	0.050	7.5	7	1.375/34,93	0.860/21,84	1.000/25,40	0.053/1,35
AIRH-05-151K	150	0.060	7.0	5	1.625/41,26	0.860/21,84	1.250/31,75	0.053/1,35
AIRH-10-50K	5	0.010	19.0	25	1.125/28,58	0.635/16,13	0.812/20,63	0.065/1,65
AIRH-10-100K	10	0.012	16.0	19	1.375/34,93	0.635/16,13	1.218/30,94	0.065/1,65
AIRH-10-270K	27	0.018	12.5	12	1.125/28,58	0.935/23,75	0.687/17,45	0.065/1,65
AIRH-10-500K	50	0.025	11.0	10	1.375/34,93	0.935/23,75	0.937/23,80	0.065/1,65
AIRH-10-680K	68	0.027	10.0	8	1.375/34,93	0.935/23,75	1.125/28,58	0.065/1,65
AIRH-10-101K	100	0.030	10.0	7	1.625/41,26	0.935/23,75	1.312/33,33	0.065/1,65
AIRH-15-50K	5	0.008	24.0	25	1.375/34,93	0.700/17,78	0.937/23,80	0.082/2,08
AIRH-15-100K	10	0.010	20.0	19	1.687/42,85	0.700/17,78	1.500/38,10	0.082/2,08
AIRH-15-270K	27	0.015	16.0	14	1.375/34,93	1.000/25,40	0.937/23,80	0.082/2,08
AIRH-15-500K	50	0.020	15.0	10	1.625/41,26	1.000/25,40	1.125/28,58	0.082/2,08

### PHYSICAL CHARACTERISTICS:



### TECHNICAL INFORMATION:

- UL Polyolefin Shrink Tubing
  - Operating Temp: -40°C to 85°C
  - L<sub>p</sub> measure at 1 KHz 0.1VRMS.
  - Tolerance: K=±10%, tighter tolerance available
  - Check SCD for detail E&M specification
  - I<sub>DC</sub>: L<sub>p</sub> drops 10% typical from its initial value
  - I<sub>RATED</sub>:  $\Delta T$  of 40°C temperature rise max
  - Marking: Inductance value and tolerance
- Note:** All specifications subject to change without notice.