



AK4551

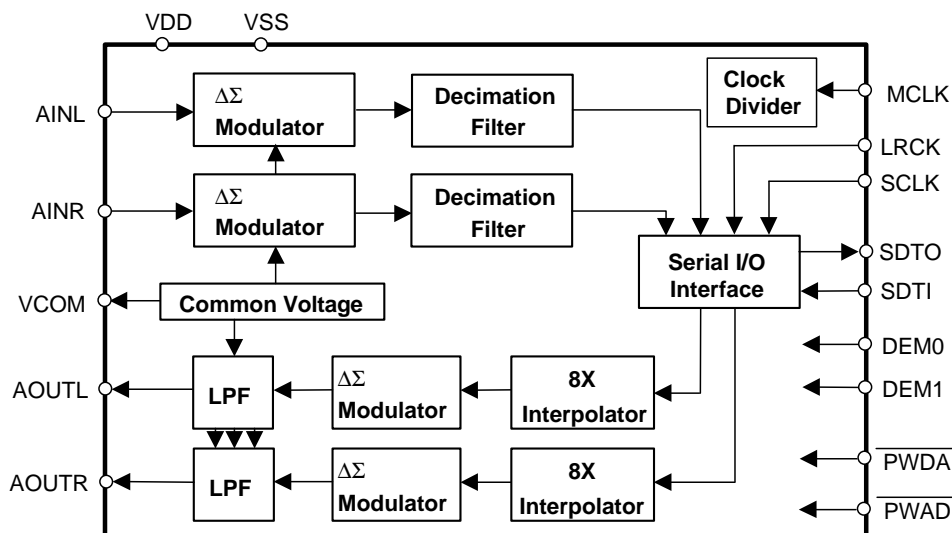
Low Power & Small Package 20bit $\Delta\Sigma$ CODEC

GENERAL DESCRIPTION

The AK4551 is a low voltage 20bit A/D & D/A converter for portable digital audio system. In the AK4551, the loss of accuracy from clock jitter is also improved by using SCF techniques for on-chip post filter. Analog signal input/output of the AK4551 are single-ended, therefore, any external filters are not required. The AK4551 is suitable for portable digital audio system, as the AK4551 is lower power dissipation and a smaller package than AK4519.

FEATURES

- HPF for DC-offset cancel ($f_c=3.4\text{Hz}$)**
- Single-ended ADC**
 - S/(N+D): 82dB @ VDD=2.5V
 - Dynamic Range, S/N: 89dB @ VDD=2.5V
- Single-ended DAC**
 - Digital de-emphasis for 32kHz, 44.1kHz, 48kHz sampling
 - S/(N+D): 85dB @ VDD=2.5V
 - Dynamic Range, S/N: 92dB @ VDD=2.5V
- Audio I/F format: MSB First, 2's Compliment (AK4519 compatible)**
 - ADC: 20bit MSB justified
 - DAC: 20bit LSB justified
- Input/Output Voltage: 0.6 X VDD (=1.5Vpp @ VDD=2.5V)**
- High Jitter Tolerance**
- Sampling Rate: 8kHz to 50kHz**
- Master Clock: 256fs or 384fs or 512fs**
- Power Supply: 2.2 to 3.6V**
- Low Power Supply Current: 10mA**
- Ta = -20 to 85°C**
- Very Small Package: 16pin TSSOP**



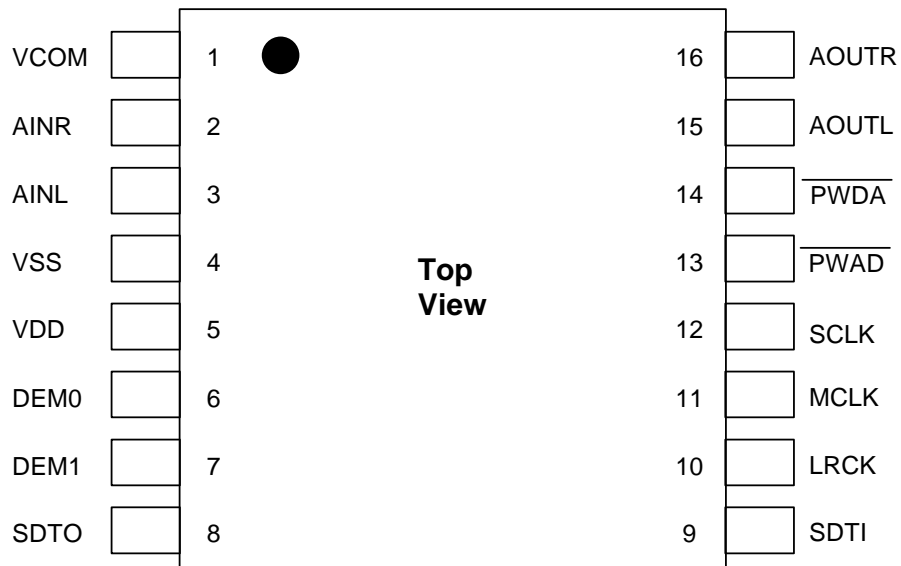
■ Ordering Guide

AK4551VT
AKD4551

-20 ~ +85°C
Evaluation Board for AK4551

16pin TSSOP (0.65mm pitch)

■ Pin Layout



PIN/FUNCTION

No.	Pin Name	I/O	Function
1	VCOM	O	Common Voltage Output Pin, 0.45 x VDD
2	AINR	I	Rch Analog Input Pin
3	AINL	I	Lch Analog Input Pin
4	VSS	-	Ground Pin
5	VDD	-	Power Supply Pin
6	DEM0	I	De-emphasis Control Pin
7	DEM1	I	De-emphasis Control Pin
8	SDTO	O	Audio Serial Data Output Pin
9	SDTI	I	Audio Serial Data Input Pin
10	LRCK	I	Input/Output Channel Clock Pin
11	MCLK	I	Master Clock Input Pin
12	SCLK	I	Audio Serial Data Clock Pin
13	$\overline{\text{PWAD}}$	I	ADC Power-Down & Reset Mode Pin “L”: Power down. ADC should always be reset upon power-up.
14	$\overline{\text{PWDA}}$	I	DAC Power-Down & Reset Mode Pin “L”: Power down. DAC should always be reset upon power-up.
15	AOUTL	O	Lch Analog Output Pin
16	AOUTR	O	Rch Analog Output Pin

ABSOLUTE MAXIMUM RATINGS

(VSS=0V; Note 1)

Parameter	Symbol	min	max	Units
Power Supply	VDD	-0.3	4.6	V
Input Current (Any Pin Except Supplies)	IIN	-	±10	mA
Input Voltage	VIN	-0.3	VDD+0.3	V
Ambient Temperature (power applied)	Ta	-20	85	°C
Storage Temperature	Tstg	-65	150	°C

Note 1. All voltages with respect to ground.

WARNING: Operation at or beyond these limits may results in permanent damage to the device.
Normal operation is not guaranteed at these extremes.

RECOMMENDED OPERATING CONDITIONS

(VSS=0V; Note 1)

Parameter	Symbol	min	typ	max	Units
Power Supply	VDD	2.2	2.5	3.6	V

Note 1. All voltages with respect to ground.

*AKM assumes no responsibility for the usage beyond the conditions in this data sheet.

ANALOG CHARACTERISTICS

(Ta=25°C; VDD=2.5V; fs=44.1kHz; Signal Frequency=1kHz; SCLK=64fs; Measurement frequency=10Hz ~ 20kHz; unless otherwise specified)

Parameter	min	typ	max	Units
ADC Analog Input Characteristics: Analog Source Impedance=470Ω (Note 2)				
Resolution			20	Bits
S/(N+D) (-0.5dB Input)	72	82		dB
D-Range (-60dB Input, A-weighted)	82	89		dB
S/N (A-weighted)	82	89		dB
Interchannel Isolation	80	95		dB
Interchannel Gain Mismatch		0.2	0.5	dB
Input Voltage (Note 3)	1.35	1.50	1.65	Vpp
Input Resistance	50	100		kΩ
Power Supply Rejection (Note 4)		35		dB
DAC Analog Output Characteristics:				
Resolution			20	Bits
S/(N+D)	75	85		dB
D-Range (-60dB Output, A-weighted)	86	92		dB
S/N (A-weighted)	86	92		dB
Interchannel Isolation	80	95		dB
Interchannel Gain Mismatch		0.2	0.5	dB
Output Voltage (Note 3)	1.35	1.50	1.65	Vpp
Load Resistance	10			kΩ
Load Capacitance			30	pF
Power Supply Rejection (Note 4)		50		dB
Power Supplies				
Power Supply Current				
AD+DA	$\overline{\text{PWAD}} = \text{"H"}, \overline{\text{PWDA}} =$	10	15	mA
AD	$\text{"H"} \overline{\text{PWAD}} = \text{"H"}, \overline{\text{PWDA}} =$	5.6	8.4	mA
DA	$\text{"L"} \overline{\text{PWAD}} = \text{"L"}, \overline{\text{PWDA}} = \text{"H"}$	5.6	8.4	mA
Power down (Note 5)	$\overline{\text{PWAD}} = \text{"L"}, \overline{\text{PWDA}} = \text{"L"}$	10	50	uA
Power Consumption				
AD+DA	$\overline{\text{PWAD}} = \text{"H"}, \overline{\text{PWDA}} = \text{"H"}$	25	37.5	mW
AD	$\overline{\text{PWAD}} = \text{"H"}, \overline{\text{PWDA}} = \text{"L"}$	14	21	mW
DA	$\overline{\text{PWAD}} = \text{"L"}, \overline{\text{PWDA}} = \text{"H"}$	14	21	mW
Power down (Note 5)	$\overline{\text{PWAD}} = \text{"L"}, \overline{\text{PWDA}} = \text{"L"}$	25	125	uW

Note 2. The offset of ADC is removed by internal HPF.

Note 3. Input /Output of ADC and DAC scales with VDD voltage. 0.6 X VDD (typ).

Note 4. PSR is applied to VDD with 1kHz, 50mV.

Note 5. In case of power-down mode, all digital input including clocks pins (MCLK, SCLK and LRCK) are held VDD or VSS. But $\overline{\text{PWAD}}$ and $\overline{\text{PWDA}}$ pins are held VSS.

FILTER CHARACTERISTICS							
(Ta=25°C; VDD=2.2 ~ 3.6V; fs=44.1kHz; DEM0="1", DEM1="0")							
Parameter	Symbol	min	typ	max	Units		
ADC Digital Filter (Decimation LPF):							
Passband (Note 6)	±0.1dB	PB	0	20.0	17.4	kHz	
	-1.0dB					21.1	kHz
	-3.0dB						kHz
Stopband	SB	27.0				kHz	
Passband Ripple	PR			±0.1		dB	
Stopband Attenuation	SA	65				dB	
Group Delay (Note 7)	GD		17.0			1/fs	
Group Delay Distortion	ΔGD		0			us	
ADC Digital Filter (HPF):							
Frequency Response (Note 6)	-3dB	FR		3.4		Hz	
	-0.5dB			10		Hz	
	-0.1dB			22		Hz	
DAC Digital Filter:							
Passband (Note 6)	±0.1dB	PB	0	22.05	20.0	kHz	
	-6.0dB						kHz
Stopband	SB	24.1				kHz	
Passband Ripple	PR			±0.06		dB	
Stopband Attenuation	SA	43				dB	
Group Delay (Note 7)	GD		15.4			1/fs	
Group Delay Distortion	ΔGD		0			us	
DAC Digital Filter + Analog Filter							
Frequency Response	0 ~ 20.0kHz	FR		±0.5		dB	

Note 6. The passband and stopband frequencies scale with fs (sampling frequency).

For examples, PB=20.0kHz(@ADC: -1.0dB, DAC: -0.1dB) are 0.454 x fs.

Note 7. The calculating delay time which occurred by digital filtering. This time is from the input of analog signal to setting the 20bit data of both channels to the output register for ADC. For DAC, this time is from setting the 20bit data of both channels on input register to the output of analog signal.

DC CHARACTERISTICS					
(Ta=25°C; VDD=2.2 ~ 3.6V)					
Parameter	Symbol	min	typ	max	Units
High-Level Input Voltage	VIH	70%VDD	-	-	V
Low-Level Input Voltage	VIL	-	-	30%VDD	V
High-Level Output Voltage (Iout=-20uA)	VOH	VDD-0.1	-	-	V
Low-Level Output Voltage (Iout=20uA)	VOL	-	-	0.1	V
Input Leakage Current	Iin	-	-	± 10	uA

SWITCHING CHARACTERISTICS

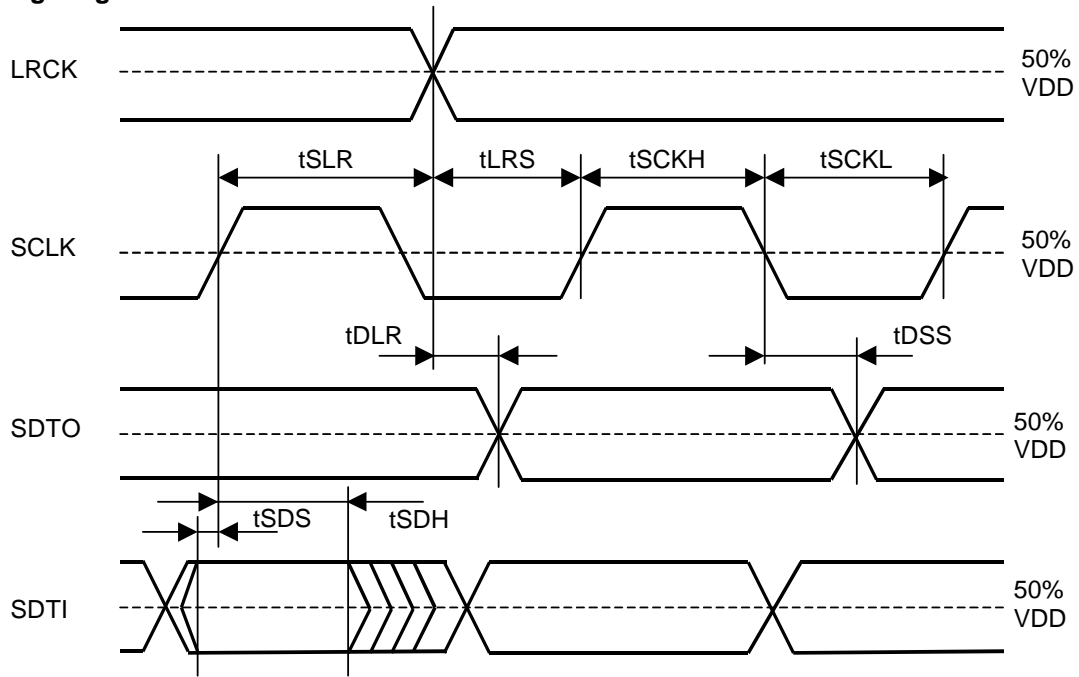
(Ta=25°C; VDD=2.2 ~ 3.6V; CL=20pF)

Parameter	Symbol	min	typ	max	Units
Master Clock Timing 256fs: Pulse Width Low Pulse Width High 384fs: Pulse Width Low Pulse Width High 512fs: Pulse Width Low Pulse Width High	fCLK	2.048	11.2896	12.8	MHz
	tCLKL	28			ns
	tCLKH	28			ns
	fCLK	3.072	16.9344	19.2	MHz
	tCLKL	23			ns
	tCLKH	23			ns
	fCLK	4.096	22.5792	25.6	MHz
	tCLKL	16			ns
	tCLKH	16			ns
LRCK Frequency Duty Cycle	fs	8	44.1	50	kHz
		45		55	%
Serial Interface Timing SCLK Period SCLK Pulse Width Low Pulse Width High LRCK Edge to SCLK “↑” (Note 8) SCLK “↑” to LRCK Edge (Note 8) LRCK Edge to SDTO (MSB) SCLK “↓” to SDTO SDTI Hold Time SDTI Setup Time	tSCK	312.5			ns
	tSCKL	130			ns
	tSCKH	130			ns
	tLRS	50			ns
	tSLR	50			ns
	tDLR			80	ns
	tDSS			80	ns
	tSDH	50			ns
	tSDS	50			ns
Reset Timing PWAD or PWDA Pulse Width PWAD “↑” to SDTO Valid (Note 9)	tPW	150			ns
	tPWV		2081		1/fs

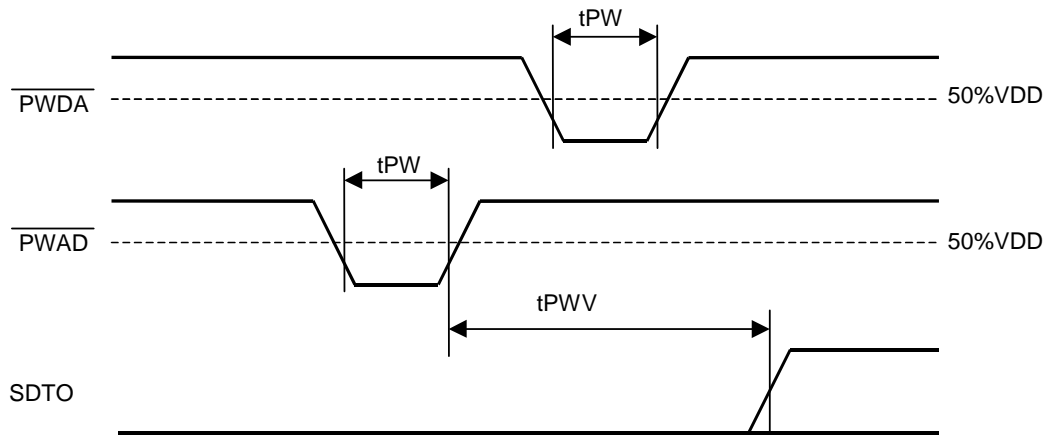
Note 8. SCLK rising edge must not occur at the same time as LRCK edge.

Note 9. These cycles are the number of LRCK rising from PWAD rising.

■ Timing Diagram



Serial Interface Timing



Reset & Initialize Timing

OPERATION OVERVIEW

■ System Clock Input

The AK4551 can be input MCLK=256fs, 384fs or 512fs. The input clock applied to the MCLK as internal master clock is divided into 256fs automatically. The relationship between the external clock applied to the MCLK input and the desired sample rate is defined in Table 1. The LRCK clock input must be synchronized with MCLK, however the phase is not critical. *fs is sampling frequency.

When the synchronization is out of phase by changing the clock frequencies during normal operation, the AK4551 may occur click noise. In case of DAC, click noise is avoided by setting the inputs to “0”.

All external clocks (MCLK, SCLK, LRCK) must be present unless \overline{PWAD} and $\overline{PWDA} = \text{“L”}$. If these clocks are not provided, the AK4551 may draw excess current and may not possibly operate properly because the device utilizes dynamic refreshed logic internally.

fs	MCLK			SCLK	
	256fs	384fs	512fs	32fs	64fs
32.0kHz	8.1920MHz	12.2880MHz	16.3840MHz	1.0240MHz	2.048MHz
44.1kHz	11.2896MHz	16.9344MHz	22.5792MHz	1.4112MHz	2.822MHz
48.0kHz	12.2880MHz	18.4320MHz	24.5760MHz	1.5360MHz	3.072MHz

Table 1. System Clock Example

■ Audio Serial Interface Format

Data is shifted in/out the SDTI/SDTO pins using SCLK and LRCK inputs. The data is MSB first, 2’s compliment.

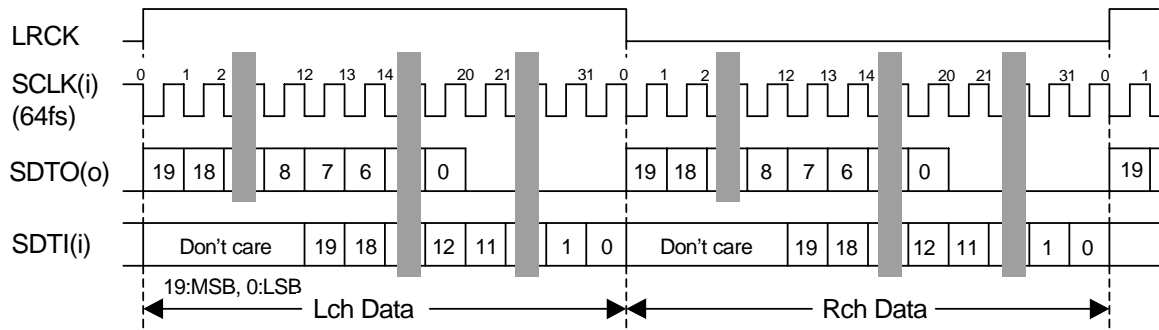


Figure 1. Audio Interface Timing

■ De-emphasis filter

The DAC of AK4551 includes the digital de-emphasis filter ($t_c=50/15\mu s$) by IIR filter. This filter corresponds to three frequencies (32kHz, 44.1kHz and 48kHz). The de-emphasis filter selected by DEM0 and DEM1 is enabled for input audio data. The de-emphasis is also disabled at DEM0="1" and DEM1="0".

DEM1	DEM0	Mode
0	0	44.1kHz
0	1	OFF
1	0	48kHz
1	1	32kHz

Table 2. De-emphasis filter control

■ Digital High Pass Filter

The AK4551 has a Digital High Pass Filter (HPF) for DC-offset cancel. The cut-off frequency of the HPF is 3.4Hz at $f_s=44.1\text{kHz}$ and the frequency response at 20Hz is -0.12dB . It also scales with the sampling frequency (f_s).

■ Power-down & Reset

The ADC and DAC of AK4551 are placed in the power-down mode by bringing each power down pin, \overline{PWAD} , \overline{PWDA} = "L" independently and each digital filter is also reset at the same time. These resets should always be done after power-up. In case of the ADC, an analog initialization cycle starts after exiting the power-down mode. Therefore, the output data, SDTO becomes available after 2081 cycles of LRCK clock. This initialization cycle does not affect the DAC operation. Figure 2 shows the power-up sequence when the ADC is powered up before the DAC power-up.

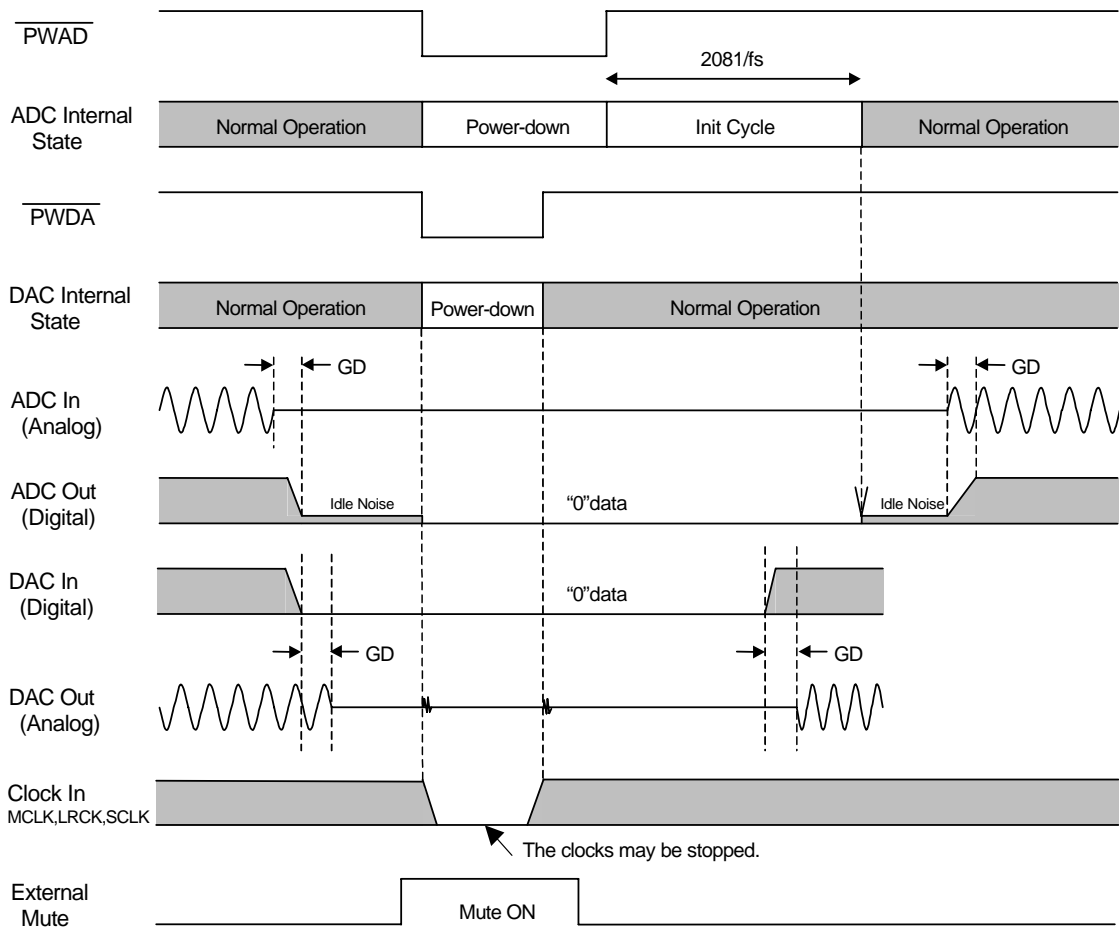


Figure 2. Power-up Sequence

SYSTEM DESIGN

Figure 3 shows the system connection diagram. An evaluation board [AKD4551] is available which demonstrates application circuit, optimum layout, power supply arrangements and measurement results.

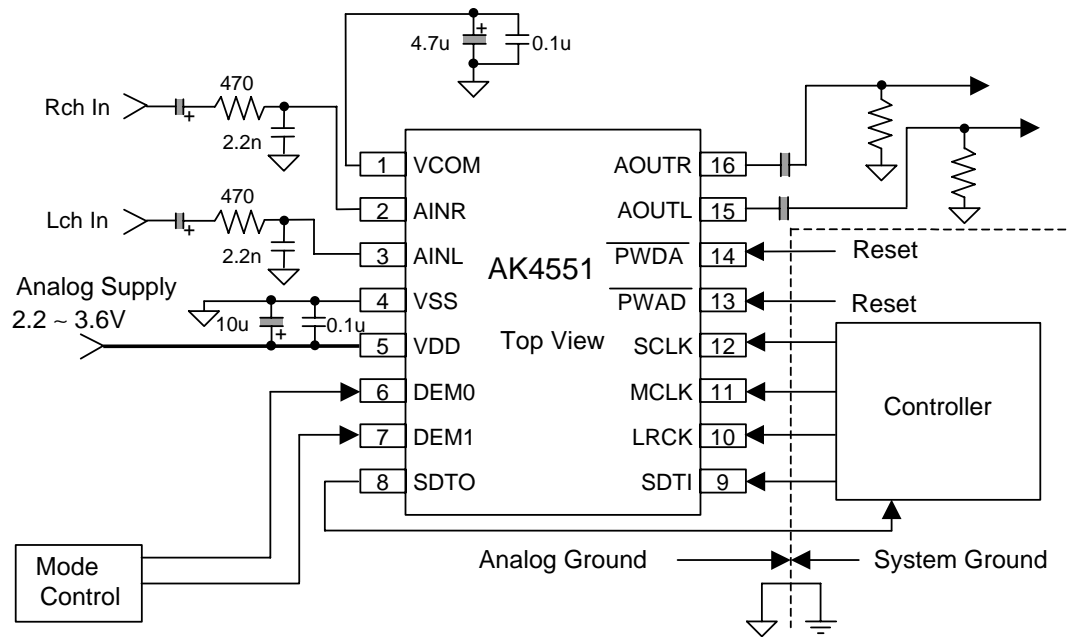


Figure 3. System Connection Diagram Example

Notes:

- $LRCK=fs, 40fs \leq SCLK \leq 96fs, MCLK=256fs/384fs/512fs$.
- When AOUT drives some capacitive load, some resistor should be added in series between AOUT and capacitive load.
- Electrolytic capacitor value of VCOM depends on low frequency noise of supply voltage.

1. Grounding and Power Supply Decoupling

VDD and VSS are supplied from analog supply and should be separated from system digital supply. Decoupling capacitors should be as near to the AK4551 as possible, with the small value ceramic capacitor being nearest.

2. Voltage Reference

The input to VDD voltage sets the analog input/output range. A 0.1uF ceramic capacitor and a 10uF electrolytic capacitor is connected to VDD and VSS pins, normally. VCOM is a signal ground of this chip. An electrolytic less than 4.7uF in parallel with a 0.1uF ceramic capacitor attached to these pins eliminates the effects of high frequency noise. No load current may be drawn from VCOM pin. All signals, especially clock, should be kept away from the VDD, VCOM pins in order to avoid unwanted coupling into the AK4551.

3. Analog Inputs

ADC inputs are single-ended and internally biased to VCOM. The input signal range scales with the supply voltage and nominally 0.6xVDD Vpp(typ). The ADC output data format 2's compliment. The output code is 7FFFFH(@20bit) for input above a positive full scale and 80000H(@20bit) for input below a negative full scale. The ideal code is 00000H(@20bit) with no input signal.

The AK4551 samples the analog inputs at 64fs. The digital filter rejects noise above the stop band except for multiples of 64fs. A simple RC filter ($f_c=150\text{kHz}$) may be used to attenuate any noise around 64fs and most audio signals do not have significant energy at 64fs.

4. Analog Outputs

The analog outputs are also single-ended and centered around the VCOM voltage. The input signal range scales with the supply voltage and nominally 0.6xVDD Vpp(typ). The DAC input data format is 2's compliment. The output voltage is a positive full scale for 7FFFFH(@20bit) and a negative full scale for 80000H(@20bit). The ideal output is VCOM voltage for 00000H(@20bit). If the noise generated by the delta-sigma modulator beyond the audio band would be the problem, the attenuation by external filter is required.

DC offsets on analog outputs are eliminated by AC coupling since DAC outputs have DC offsets of a few mV.

■ Layout Pattern Example

AK4551 requires careful attention to power supply and grounding arrangements to optimize performance. (Please refer to AKD4551 Evaluation Board layout pattern.)

1. VDD pin should be supplied from analog power supply on system, and VSS pin should be connected to analog ground on system. The AK4551 is placed on the analog ground plane, and near the analog ground and digital ground split. And analog and digital ground planes should be only connected at one point. The connection point should be near to the AK4551.
2. VDD pin should be distributed from the point with low impedance of regulator etc.
3. The series resistors are prevent on the clock lines to reduce overshoot and undershoot. To avoid digital noise coupling to analog circuit in the AK4551, a 10pF ceramic capacitor on MCLK pin is connected with digital ground.
4. 0.1uF ceramic capacitors of VDD-VSS pins and VCOM-VSS pins should be located as close to the AK4551 as possible. And these lines should be the shortest connection to pins.

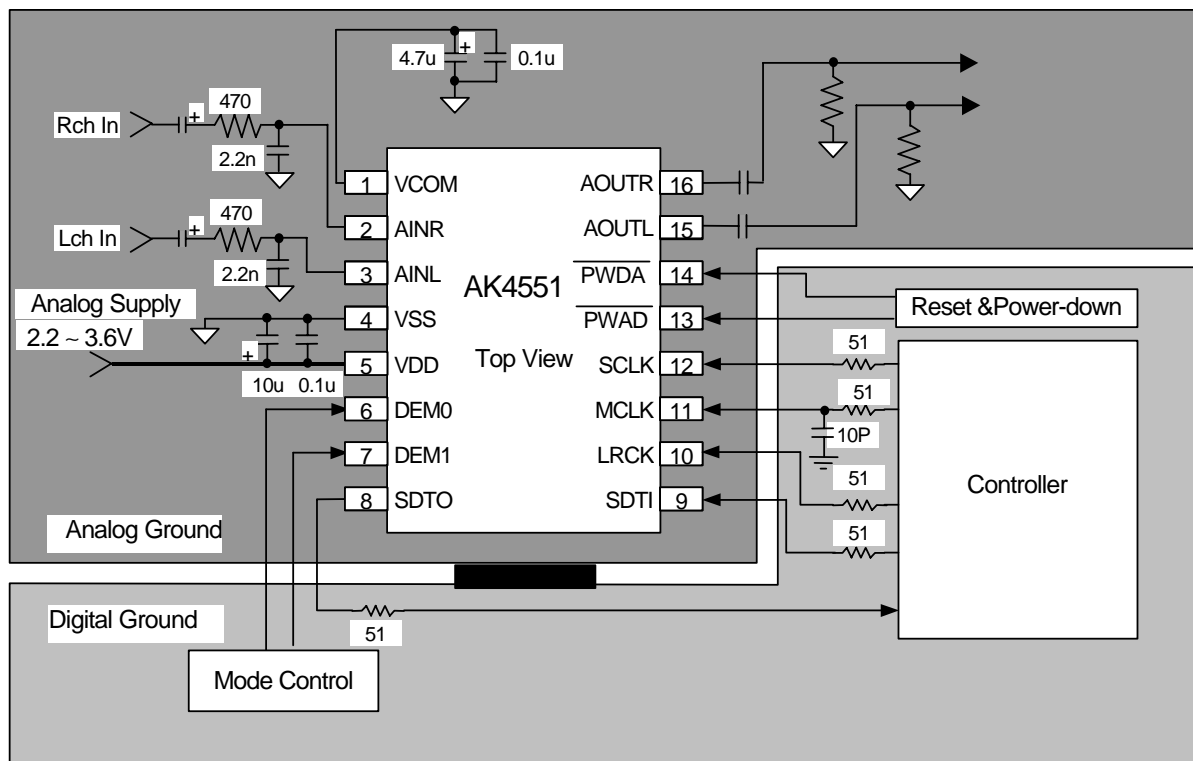
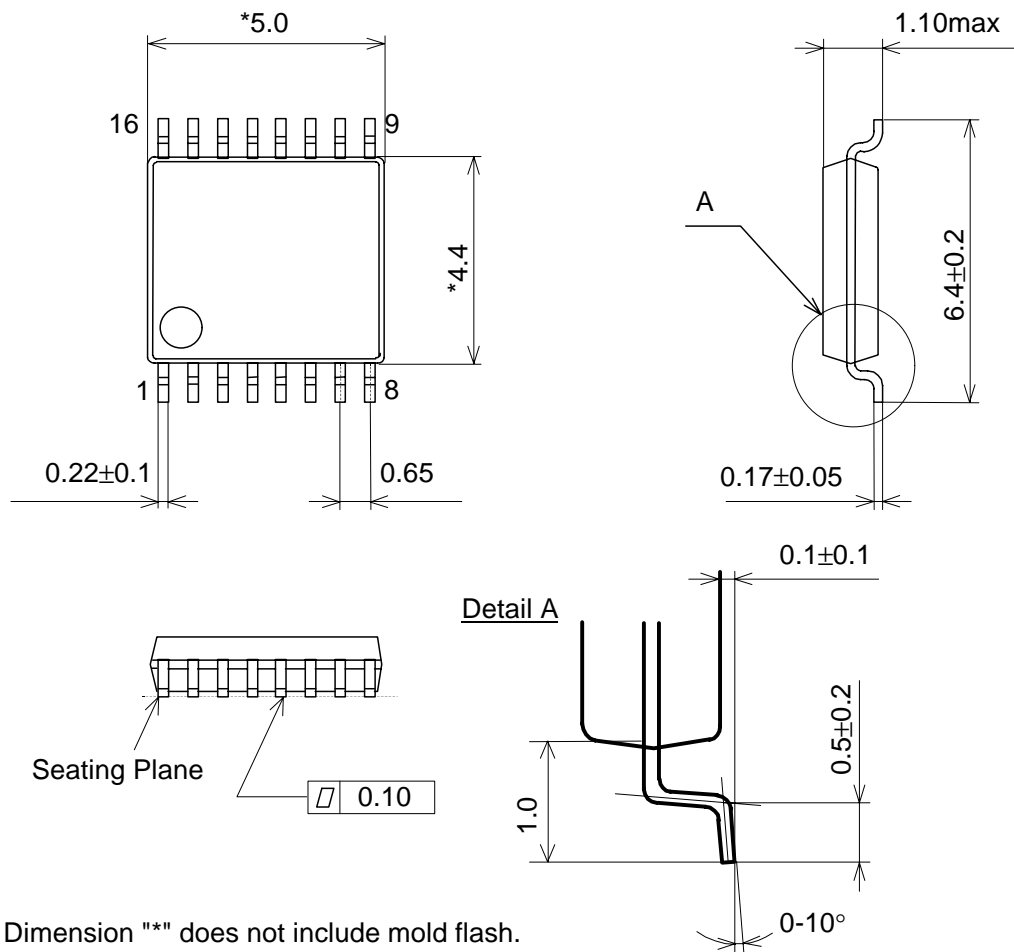


Figure 4. Layout Pattern Example

PACKAGE

16pin TSSOP (Unit: mm)

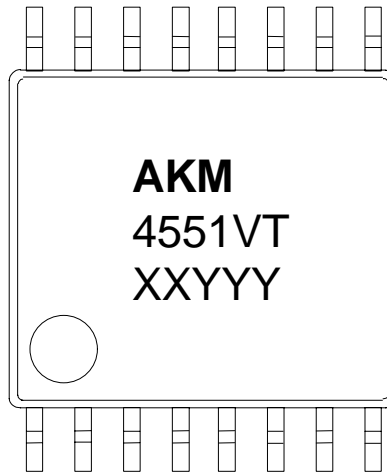


NOTE: Dimension "*" does not include mold flash.

■ Package & Lead frame material

Package molding compound:	Epoxy
Lead frame material:	Cu
Lead frame surface treatment:	Solder plate

MARKING



- 1) Pin #1 indication
- 2) Date Code : XXYYYY (5 digits)
 XX: lot#
 YYY: Date Code
- 3) Marketing Code : 4551VT
- 4) Asahi Kasei Logo

IMPORTANT NOTICE

- These products and their specifications are subject to change without notice. Before considering any use or application, consult the Asahi Kasei Microsystems Co., Ltd. (AKM) sales office or authorized distributor concerning their current status.
- AKM assumes no liability for infringement of any patent, intellectual property, or other right in the application or use of any information contained herein.
- Any export of these products, or devices or systems containing them, may require an export license or other official approval under the law and regulations of the country of export pertaining to customs and tariffs, currency exchange, or strategic materials.
- AKM products are neither intended nor authorized for use as critical components in any safety, life support, or other hazard related device or system, and AKM assumes no responsibility relating to any such use, except with the express written consent of the Representative Director of AKM. As used here:
 - a. A hazard related device or system is one designed or intended for life support or maintenance of safety or for applications in medicine, aerospace, nuclear energy, or other fields, in which its failure to function or perform may reasonably be expected to result in loss of life or in significant injury or damage to person or property.
 - b. A critical component is one whose failure to function or perform may reasonably be expected to result, whether directly or indirectly, in the loss of the safety or effectiveness of the device or system containing it, and which must therefore meet very high standards of performance and reliability.
- It is the responsibility of the buyer or distributor of an AKM product who distributes, disposes of, or otherwise places the product with a third party to notify that party in advance of the above content and conditions, and the buyer or distributor agrees to assume any and all responsibility and liability for and hold AKM harmless from any and all claims arising from the use of said product in the absence of such notification.