

1.0 General Description

The AMIS-710317-A6 (PI317MC-A6) is a contact imaging sensor (CIS) module, which is composed of 13 AMIS-720321 (PI3021) sensor chips. The AMIS-720321 is a 300 dots per inch (dpi) solid-state line imaging array, also a product of AMI Semiconductor. This imaging device is fabricated using MOS imaging sensor technology for high-speed performance and high sensitivity. The AMIS-710317-A6 is suitable for scanning A6 size (104mm) documents with 11.8 dots per millimeter (dpm) resolution. Applications include ticket, check and card scanners, a variety of mark readers and other automation equipment.

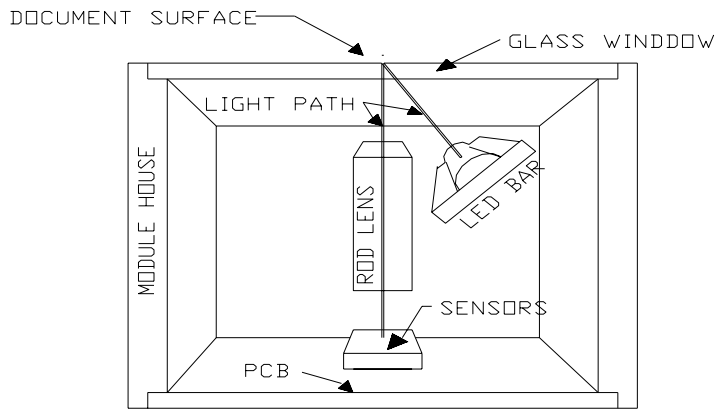
2.0 Key Features

- Light source, lens and sensor are integrated into a single module
- 11.8dpm resolution, 104mm scanning length
- Up to 250 μ sec/line scanning speed, with 5MHz pixel rate
- Wide dynamic range
- Analog output
- Yellow-Green LED light source
- Compact size \cong 14mm x 19mm x 120mm
- Low power
- Light weight

3.0 Functional Description

The AMIS-710317-A6 imaging array consists of 13 sensors that are cascaded to provide 1248 photo-detectors with their associated multiplex switches and a digital shift register that controls its sequential readout. Mounted in the module is a one-to-one graded indexed micro lens array that focuses the scanned documents to image onto its sensing plane. The on-board amplifier processes the video signal to produce a sequential stream of video at the video output pin of the AMIS-710317-A6 module.

Illumination is accomplished by means of an integrated LED light source. All components are housed in a small plastic housing which has a cover glass that acts as the focal point for the object being scanned and protects the imaging array, micro lens assembly and LED light source from dust. I/O to the module is the 10-pin connector located on one end of the module. The cross section of the AMIS-710317-A6 is shown in Figure 1 and the block diagram in Figure 2.



INSIDE PICTORIAL OF THE MODULE

Figure 1: Inside Pictorial of the Module

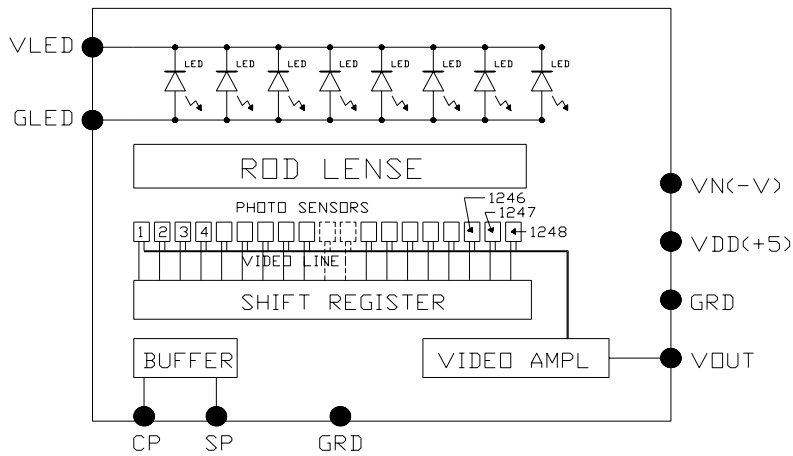


Figure 2: AMIS-710317-A6 Module Block Diagram (see Table 1)

Table 1: Pin Configuration

Pin Number	Symbol	Names and Functions
1	Vout	Analog video output
2	Gnd	Ground; 0V
3	Vdd (+5V)	Positive power supply
4	Vn (-5V to -12V)	Negative power supply
5	Gnd	Ground; 0V
6	SP	Shift register start pulse
7	Gnd	Ground; 0V
8	CP	Sampling clock pulse
9	GLLED	Ground for the light source; 0V
10	VLED	Supply for the light source

Table 2: Absolute Maximum Rating

Parameter	Symbols	Maximum Rating	Units
Power supply voltage	Vdd	10	V
	Idd	50	ma
	Vn	-15	V
	In	10	ma
	VLED	5.5	V
	ILED	500	ma
Input clock pulse (high level)	Vih	Vdd - 0.5	V
Input clock pulse (low level)	Vil	-0.6	V

Table 3: Operating Environment

Parameter	Symbols	Maximum Rating	Units
Operating temperature	Top	0 to 50	°C
Operating humidity	Hop	10 to 85	%
Storage temperature	Tstg	-25 to +75	°C
Storage humidity	Hstg	5 to 95	%

4.0 Electro-Optical Characteristics at 25°C

Table 4: Electro-Optical Characteristics at 25°C

Parameter	Symbol	Parameter	Units	Note
Number of photo detectors		1248	Elements	
Pixel-to-pixel spacing		84.7	μm	
Line scanning rate	Tint ⁽¹⁾	250	μsec	@ 5.0MHz clock frequency
Clock frequency ⁽²⁾	f	5.0	MHz	
Bright output voltage ⁽³⁾	Video output	1.0 +/-0.1	V	
Bright output non-uniformity ⁽⁴⁾	Up	<+/-30	%	
Adjacent pixel non-uniformity ⁽⁵⁾	Uadj	<25	%	
Dark non-uniformity ⁽⁶⁾	Ud	<100	mV	
Dark output voltage	Vd	<450	mV	
Modulation transfer function ⁽⁷⁾	MTF	>40	%	

Notes:

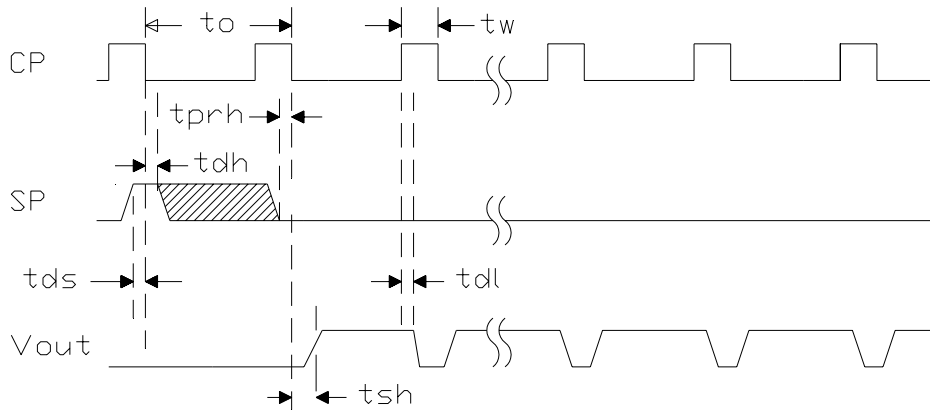
- (1) Tint: Line scanning rate or integration time. Tint is determined by the interval of two SP.
- (2) f: main clock frequency
- (3) $V_{pavg} = \sum V_p(n)/1248$; where n=1, 2, 3.....,1248
- (4) $U_p = [(V_{pmax} - V_{pavg}) / V_{pavg}] \times 100\%$ or $[(V_{pavg} - V_{pmin}) / V_{pavg}] \times 100\%$ where V_{pmax} = the maximum V(n) and V_{pmin} = the minimum V(n)
- (5) $U_{adj} = \text{MAX}[|(V_p(n) - V_p(n+1))| / V_p(n)] \times 100\%$
Uadj is the non-uniformity percentage pixel to pixel
- (6) $U_d = V_{dmax} - V_{dmin}$
Vdmin is the minimum output voltage, LED off.
Vdmax is the maximum output voltage, LED off.
- (7) $MTF = [(V_{pmax} - V_{pmin}) / (V_{pmax} + V_{pmin})] \times 100 [\%]$; tested on a 75 lp/inch target.
Vpmax: maximum output voltage
Vpmin: minimum output voltage
lp/inch: line-pair/inch

Table 5: Recommended Operating Conditions (25°C)

Item	Symbol	Min.	Mean	Max.	Units
Power supply	Vdd	4.5	5.0	5.5	V
	Vn.	-4.5	-5	-12	V
	VLED		5		V
	Idd		47	55	ma
	Ivn		6.0	10.0	ma
	ILED		450	500	ma
Input voltage at digital high	Vih	Vdd-1.0	Vdd-0.5	Vdd	V
Input voltage at digital low	Vil	0		0.8	V
Clock frequency	f			5.0	MHz
Clock pulse high duty cycle		25			%
Clock pulse high duration		50			ns
Integration time	Tint	0.25		5.0	ms
Operating temperature	Top		25	50	°C

* Tint (Min.) is the lowest line integration time available with a 5.0MHz clock rate.

5.0 Switching Characteristics (25°C)



MODULE TIMING DIAGRAM

Figure 3: Module Timing Diagram

The switching characteristics for the I/O clocks are shown in Figure 3. See the timing symbol definitions in Table 6.

Table 6: Symbol Definitions for the Above Timing Diagram

Item	Symbol	Min.	Typ.	Max.	Units
Clock cycle time	t_o	0.20		4.0	μ s
Clock pulse width	t_w	50			ns
Clock duty cycle		25		75	%
Prohibit crossing time of SP	t_{prh}	15			ns
Data setup time	t_{ds}	20			ns
Data hold time	t_{dh}	20			ns
Signal delay time	t_{dl}	50			ns
Signal settling time	t_{sh}	120			ns

6.0 AMIS-710317-A6 Module and its Mechanical Dimensions

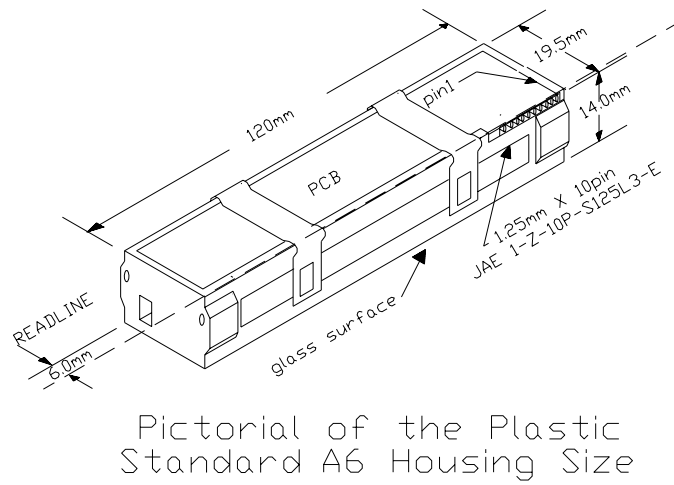


Figure 4: Pictorial of the Plastic Standard A6 Housing Size

The sketch of this module is to provide a pictorial of the module size and structure. A detailed drawing is available upon request.

7.0 Company or Product Inquiries

For more information about AMI Semiconductor, our technology and our product, visit our Web site at: <http://www.amis.com>

North America

Tel: +1.208.233.4690

Fax: +1.208.234.6795

Europe

Tel: +32 (0) 55.33.22.11

Fax: +32 (0) 55.31.81.12

Production Technical Data - The information contained in this document applies to a product in production. AMI Semiconductor and its subsidiaries ("AMIS") have made every effort to ensure that the information is accurate and reliable. However, the characteristics and specifications of the product are subject to change without notice and the information is provided "AS IS" without warranty of any kind (express or implied). Customers are advised to obtain the latest version of relevant information to verify that data being relied on is the most current and complete. AMIS reserves the right to discontinue production and change specifications and prices at any time and without notice. Products sold by AMIS are covered by the warranty and patent indemnification provisions appearing in its Terms of Sale only. AMIS makes no other warranty, express or implied, and disclaims the warranties of non-infringement, merchantability, or fitness for a particular purpose. AMI Semiconductor's products are intended for use in ordinary commercial applications. These products are not designed, authorized, or warranted to be suitable for use in life-support systems or other critical applications where malfunction may cause personal injury. Inclusion of AMIS products in such applications is understood to be fully at the customer's risk. Applications requiring extended temperature range, operation in unusual environmental conditions, or high reliability, such as military or medical life-support, are specifically not recommended without additional processing by AMIS for such applications. Copyright © 2006 AMI Semiconductor, Inc.