

**Integrated CPE Filter/Hybrid Solution VDSL/10BaseS
for Infineon PEB 22810/11/12/22 Chipset
APC77124**

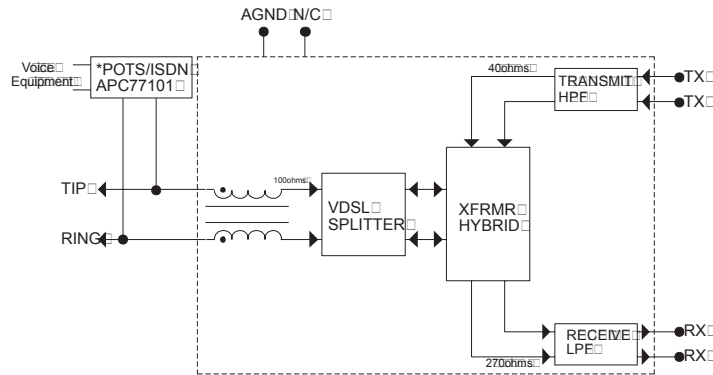


ELECTRICAL SPECIFICATIONS @ 25°C

Description	Passband Frequency	Insertion Loss max	Return Loss min	Stopband Frequency	Attenuation min	Impedance
*VDSL Splitter/Hybrid	900 kHz to 7.9 MHz	0.8 dB	10 dB	20 kHz to 250 kHz	50 dB	100 ohms
Receive LPF	900 kHz to 3.3 MHz	0.8 dB	12 dB	4.5 MHz to 7.9 MHz	35 dB	270 ohms
Transmit HPF	4.0 MHz to 7.9 MHz	0.8 dB	10 dB	900 kHz to 3.3 MHz	15 dB	40 ohms

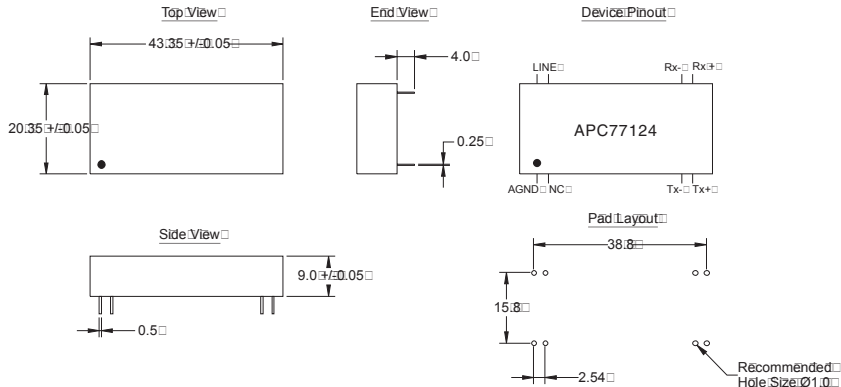
NOTES: *TRANSHYBRID LOSS THROUGH VDSL SPLITTER/HYBRID IS > 15dB MIN
PROVIDES 1500VRMS ISOLATION VOLTAGE. INCORPORATES XDSL CHOKE > 35dB MIN

SCHEMATIC



*PLEASE REFER TO APC77101 DATASHEET FOR APPLICATION NOTES ON POTS/ISDN DIGITAL SPLITTER.

MECHANICAL



PIN	ALLOCATION
1	AGND
2	NC
3	Tx-
4	Tx+
5	Rx+
6	Rx-
7	LINE
8	LINE

NOTES: ALL TOLERANCES +/- 0.010
0.25