

**Integrated CO VDSL Filter / Hybrid Solution
(Smartphone Application)**
APC77145

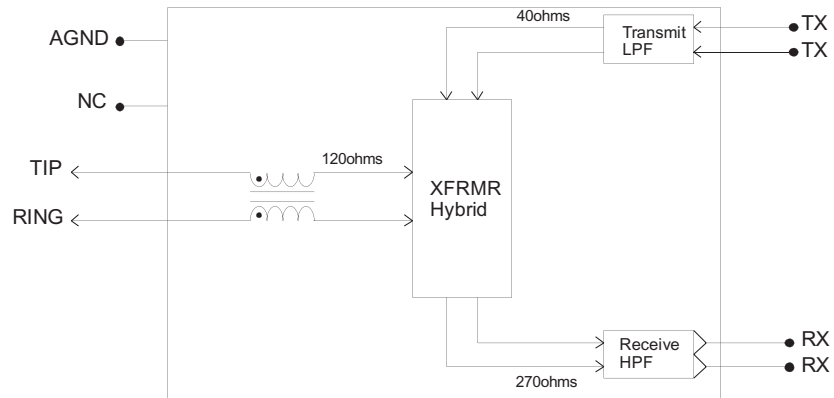
FEATURES

- Includes CMC, Xfmr Hybrid, Transmit and Receive Filters
- Suitable for External Splitter applications

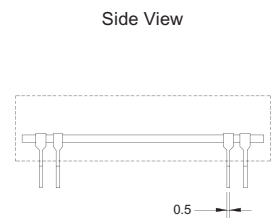
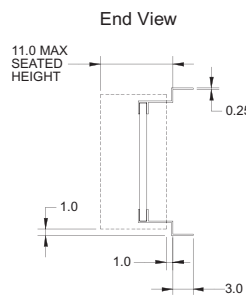
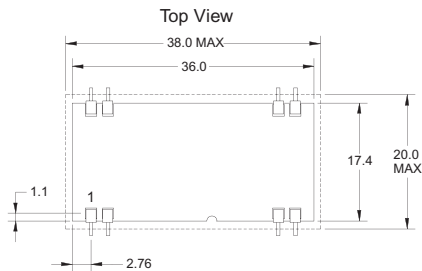
ELECTRICAL SPECIFICATIONS@25°C

Description	Passband Freq	Return Loss min	Stopband Freq	Attenuation min	Impedance
Receive HPF	4.0 MHz to 7.9 MHz	12dB	900 kHz to 3.3 MHz	35dB	270 ohms
Transmit LPF	900 kHz to 3.3 MHz	12dB	4.0 MHz to 7.9 MHz	15dB	40 ohms

BLOCK DIAGRAM

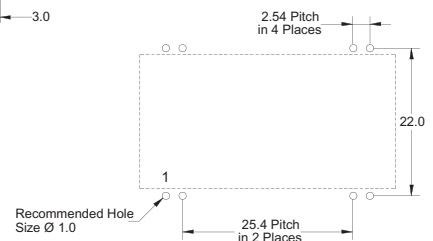


MECHANICAL



Pin No.	Signal
1	N/C
2	N/C
3	Tx -
4	Tx +
5	Rx +
6	Rx -
7	Line +
8	Line -

Recommended PCB Layout



NOTE: HIDDEN DETAIL INDICATES BOX OUTLINE