

INDUSTRIAL GRADE CERAMIC RESONATOR



Size Varies

AWCR-MD

Pb in ceramic
(exempt per RoHS 2002/95/EC Annex (7))

**RoHS
Compliant**

FEATURES:

- Excellent environmental resistance
- Industrial Grade
- Built-in capacitors save space & components
- Low cost timing solution
- Small size, Light weight

APPLICATIONS:

- Electric appliances
- Remote controls
- Microprocessor clocks
- Industrial controllers
- General timing

STANDARD SPECIFICATIONS:

Part Number (XX.XX denotes frequency in MHz)	Frequency Tolerance at 25°C	Frequency Stability at -40°C to +85°C	Aging in 10 years	IC Tested	Vdd	Total
AWCR-XX.XXMD 2.000 MHz - 6.00 MHz	± 0.5%	± 0.5%	±0.2%	MC14069UBP	5V	±0.9%
AWCR-XX.XXMD 6.01 MHz - 8.00 MHz	± 0.5%	± 0.5%	±0.2%	MC14069UBP	5V	±1.2%
AWCR-XX.XXMD 8.01 MHz - 13.49 MHz	± 0.5%	± 0.5%	±0.3%	MC14069UBP	12V	±1.2%
AWCR-XX.XXMD 13.50 MHz - 50.00 MHz	± 0.5%	± 0.5%	±0.2%	TC74HCU04	5V	±1.0%

ITEM	SPECIFICATION
Storage temperature:	-40°C to +125°C
Oscillation Frequency Range	± 0.3% max.
Capacitance Change	± 20% max.

FREQ (MHz)	H (max.)	C1=C2 (pF) ±20% built in
2.00 ~ 6.00	8.0	30.0
6.01 ~ 8.00	8.0	30.0
8.01 ~ 13.00	10.0	22.0
13.01 ~ 20.00	10.0	15.0
20.01 ~ 25.99	10.0	15.0
26.00 ~ 50.00	10.0	5.0

MARKING:

XX.XXMZY
 - XX.XX (Frequency in MHz)
 (First 3 digits of frequency) Ex: 4.00, 3.57, 2.44, 32.0;
 Z Month (A to L); Y Year 2 for 2002

OPTIONS AND PART IDENTIFICATION:

(Left blank if standard)

AWCR - XX.XXMD - CXX - Packaging

XX.XX: Freq in MHz

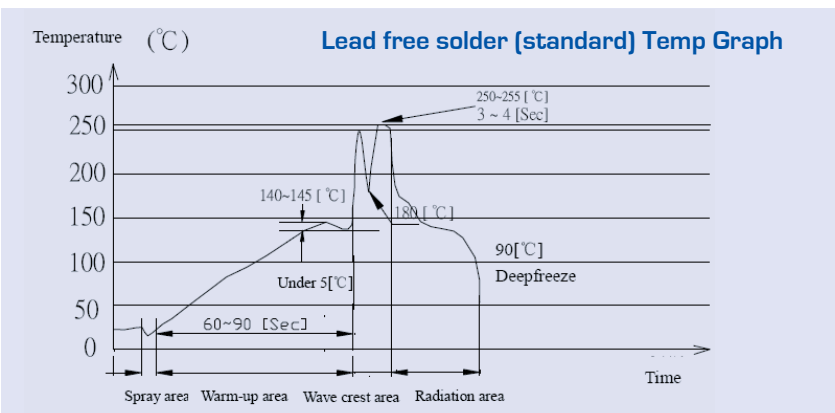
C Option:

Specify Cap value in pF

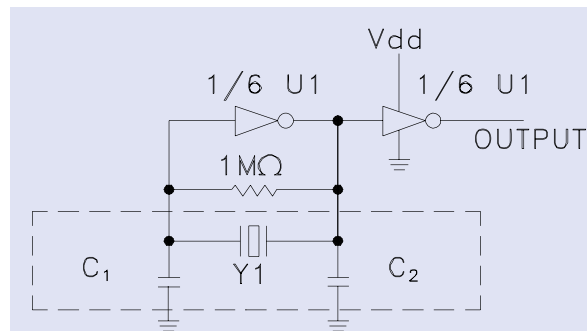
Packaging option:

Ammo for ammo packing

WAVE PEAK SOLDER PROFILE:



TEST CIRCUIT:



U1: CD4069UB
74HCU04

Y1: RESONATOR

Dimensions: inch (mm)

ABRACON IS
ISO 9001 / QS 9000
CERTIFIED



Visit www.abracon.com for Terms & Conditions of Sale **Revised: 07.16.07**
 30332 Esperanza, Rancho Santa Margarita, California 92688
 tel 949-546-8000 | fax 949-546-8001 | www.abracon.com

INDUSTRIAL GRADE CERAMIC RESONATOR



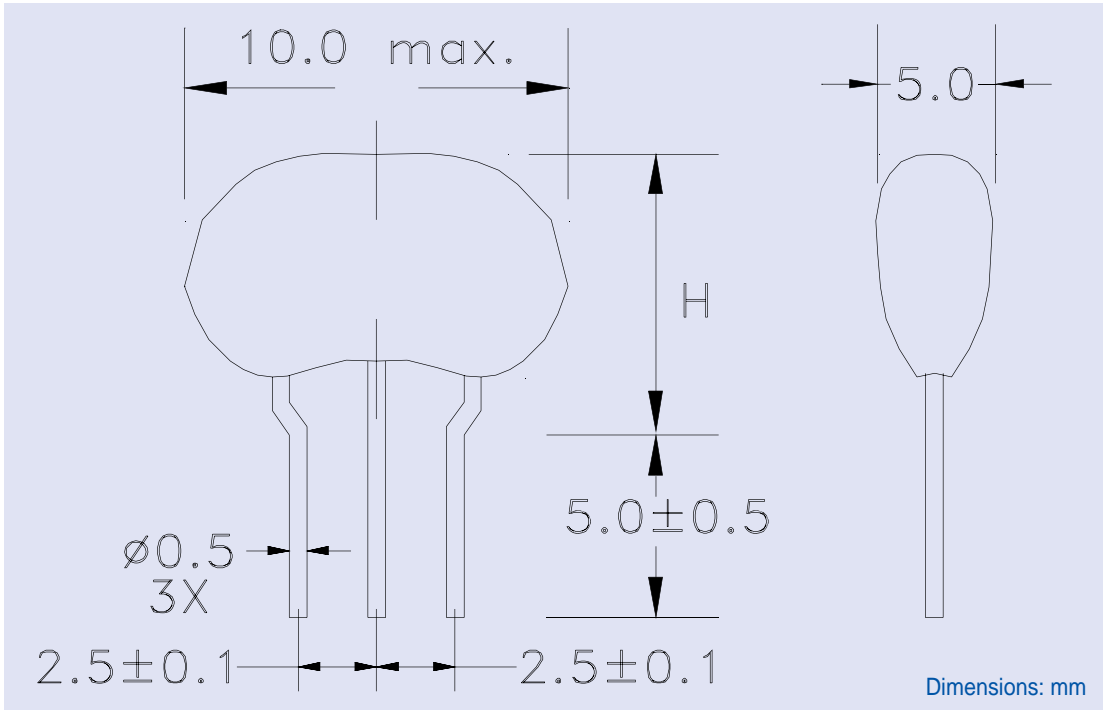
AWCR-MD

Pb in ceramic
(exempt per RoHS 2002/95/EC Annex (7))

**RoHS
Compliant**

Size Varies

OUTLINE DRAWING:



TAPE & REEL: T = Tape and reel 1,000pcs/reel

