

# INDUSTRIAL GRADE BUILT-IN CAPACITANCE CERAMIC RESONATOR

AWSCR



2.5 x 2.0 x 1.2 mm

AWSCR-MS

Pb in ceramic  
(exempt per RoHS 2002/95/EC Annex (7))

**RoHS**  
Compliant

## FEATURES:

- Low resonant impedance
- High stability type
- Excellent environmental resistance
- Reflow capable
- Industrial grade
- Built-in load capacitance

## APPLICATIONS:

- Remote controls, Microprocessor clocks, Mobile phones, DVD & CD-Roms, Electric appliances, Industrial controllers

## ELECTRICAL CHARACTERISTICS:

Item	Requirement
Frequency Range	8.00MHz to 50.00 MHz
Resonant Impedance	60Ω max.
Frequency Tolerance and stability	See Table 2.1
Withstanding Voltage	50 (DC , 1 min)
Rating Voltage	
(1) D.C.Voltage	6 V.D.C. max
(2) A.C. Voltage	15 Vp-p. max
Load Capacitance	see Table 2.2
Insulation Resistance	500MΩ min. (10V, 1min)
Operating Temperature	See Table 2.1
Storage Temperature	-55°C to +85°C
Aging Rate (Fosc)	±0.2% max. (10 years)

TABLE 2.1

Part Number (XX.XX denotes freq. in MHz)	Frequency Tolerance at 25°C	Frequency Stability at Operating Temp.	Operating Temperature	Resonant Impedance (Ω) max
AWSCR-XX.XXMSS 8.00 MHz - 50.00 MHz	±0.5%	± 0.3%	-20° to +80°C	60
AWSCR-XX.XXMSSD 8.00 MHz - 50.00 MHz	±0.5%	± 0.5%	-40° to +85°C	60
AWSCR-XX.XXMSSA 8.00 MHz - 50.00 MHz	±0.5%	± 0.7%	-40° to +125°C	60

## TEST CIRCUIT:

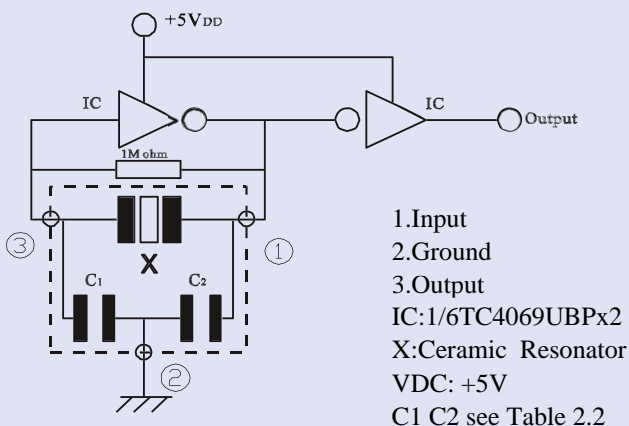


TABLE 2.2

Freq (MHz)	CI=C2 pf (±20%)
8.00~13.00	22
13.01~16.00	22
16.01~40.00	15
40.01~50.00	5

# INDUSTRIAL GRADE BUILT-IN CAPACITANCE CERAMIC RESONATOR

AWSCR



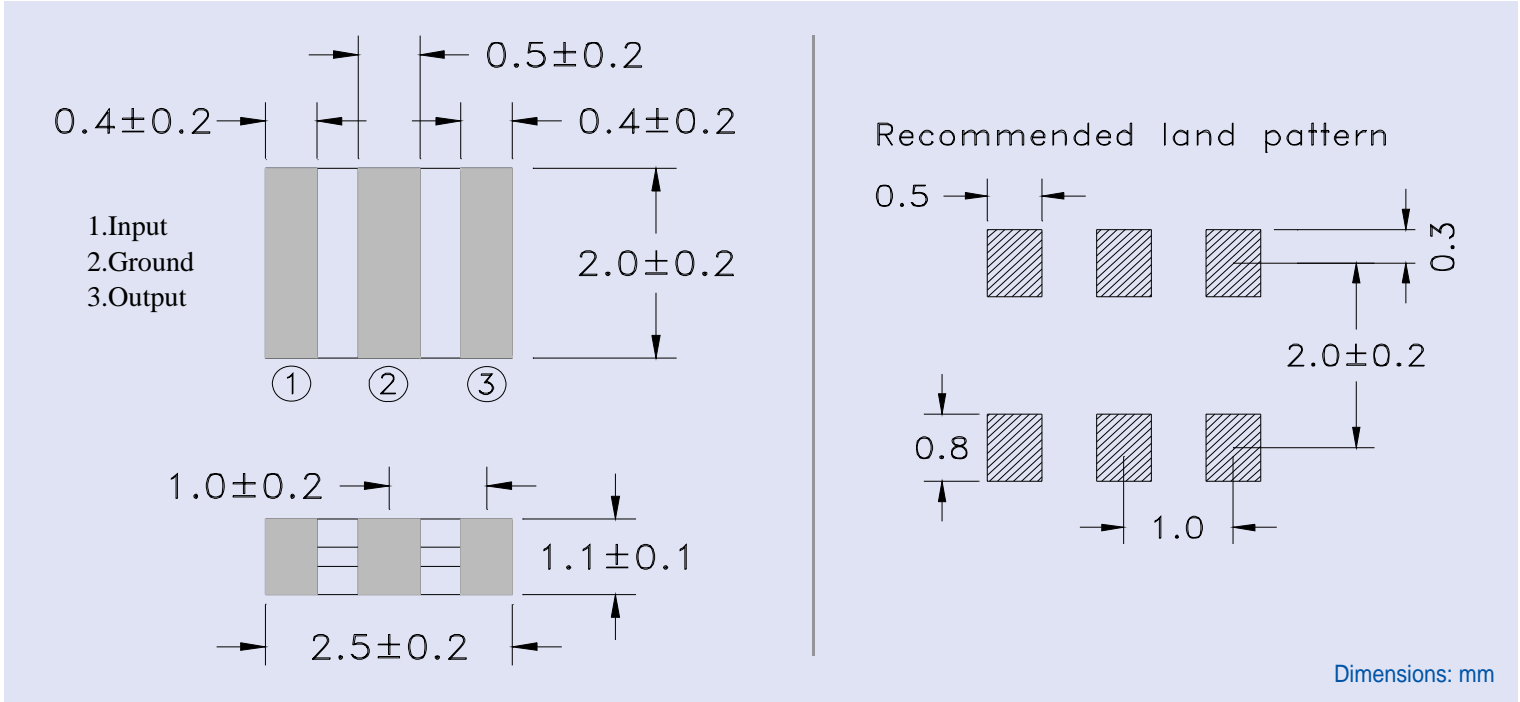
2.5 x 2.0 x 1.2 mm

AWSCR-MS

Pb in ceramic  
(exempt per RoHS 2002/95/EC Annex (7))

**RoHS**  
Compliant

## OUTLINE DRAWING:



## TAPE & REEL:

