



## Capacitors for Power Factor Correction

**Series/Type:**        **MKK690-Y-20-01**

The following products presented in this data sheet are being withdrawn.

Ordering Code	Substitute Product	Date of Withdrawal	Deadline Last Orders	Last Shipments
B25667A6417A375	B25668A6137A375	2004-07-30	2004-08-31	

For further information please contact your nearest EPCOS sales office, which will also support you in selecting a suitable substitute. The addresses of our worldwide sales network are presented at [www.epcos.com/sales](http://www.epcos.com/sales).

**Characteristics**

$C_N$	Y	3x 139,1 $\mu$ F $\pm$ 5 %	
$U_N$		AC 690 V	
$f_N$		50 Hz	60 Hz
$Q_N$		20,8 kvar	25 kvar
$I_N$		3x 17,5 A	21 A
$\tan \delta_0$		0,2 W/kvar (dielectric)	

**Maximum ratings**

$U_{max}$	AC 760 V, 8 h daily
	AC 900 V, 1 min
$I_r(40)$	3x 20 A ( $\Theta_A = 40^\circ\text{C}$ , $U_N$ )
$I_s$	4000 A
$(du/dt)_{max}$	20 V/ $\mu$ s
$(du/dt)_s$	50 V/ $\mu$ s

**Test data**

$U_{TT}$	AC 1500 V, 10 s
$U_{TC}$	AC 6000 V, 10 s
$\tan \delta$ (50 Hz)	$\leq 0,6$ W/kvar (total)

**Climatic category -40/D**

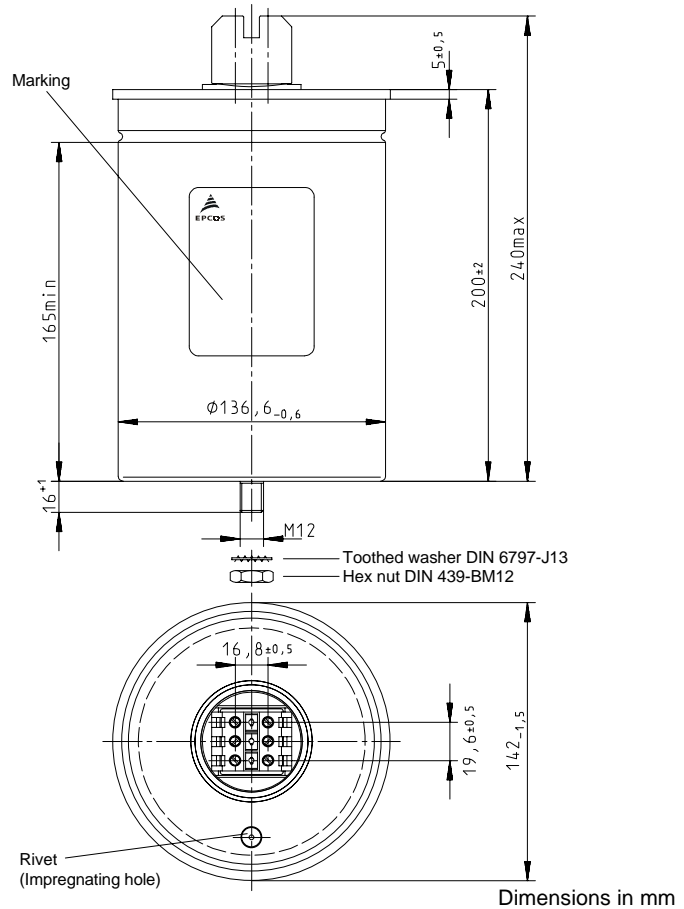
$\Theta_{min}$	-40 °C
$\Theta_{max}$	+55 °C
Humidity	Max. relative Humidity $\leq$ 95 %
$\Theta_{stg}$	-55 bis +70 °C

**Life expectancy**

$t_{LD}$	100 000 h
----------	-----------

**Remarks**

Natural cooling



**Design data**

Dimensions $\varnothing$ x l	142 x 200 mm (5,59 x 7,87 in)
Approx. weight	2 kg (4,4 lb)
Impregnation	Gas
Fixing	Threaded bolt M12
Mounting hole	14 mm (0,55 in)
Max. torque	10 Nm
Terminals	Isolated terminal, IP20
Max. torque	1,2 Nm
Terminal cross section	16 mm <sup>2</sup> (5 AWG)
Creepage distance	12,7 mm (0,50 in)
Clearance	9,6 mm (0,38 in)
Overpressure disconnecter	
Any mounting position possible	