

Characteristics

C_N	Δ	3x 82,9 μ F +10/-5 %	
U_N		AC 400 V	
f_N		50 Hz	60 Hz
Q_N		12,5 kvar	15 kvar
I_N		3x 18 A	22 A

$\tan \delta_0$ 0,2 W/kvar (dielectric)

Maximum ratings

U_{max}	AC 440 V, 8 h daily
	AC 520 V, 1 min
$I_{r(40)}$	3x 40 A ($\Theta_A = 60^\circ\text{C}$, U_N)
I_s	7200 A
$(du/dt)_{max}$	20 V/ μ s
$(du/dt)_s$	50 V/ μ s

Test data

U_{TT}	AC 950 V, 10 s
U_{TC}	AC 3000 V, 10 s

$\tan \delta$ (50 Hz) \leq 0,5 W/kvar (total)

Climatic category

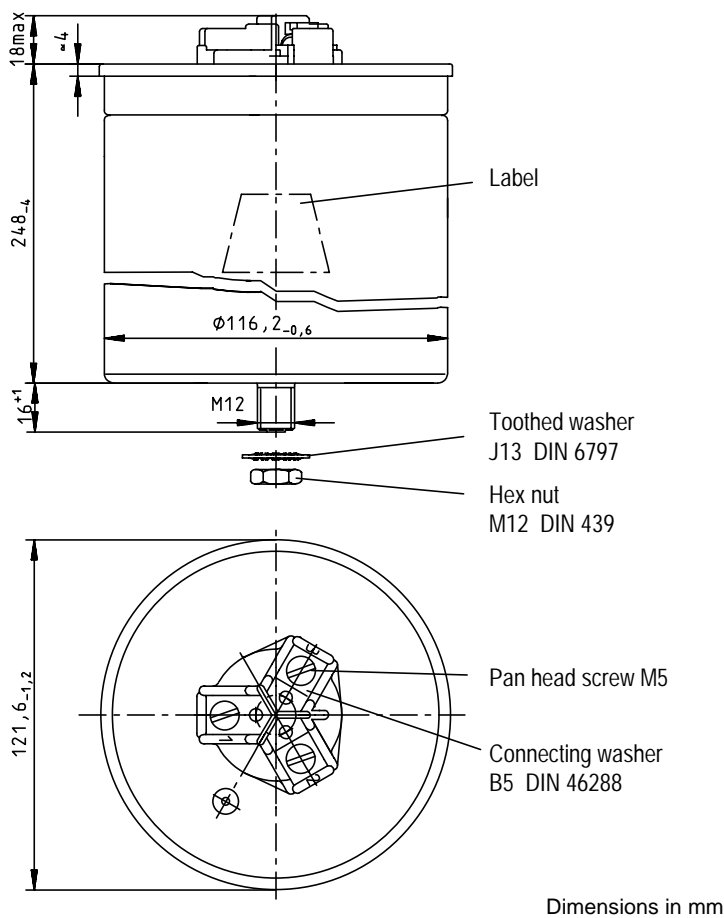
Θ_{min}	-25 $^\circ\text{C}$
Θ_{max}	+70 $^\circ\text{C}$
Humidity	Max. relative Humidity \leq 95 %
Θ_{stg}	-40 bis +70 $^\circ\text{C}$

Life expectancy

t_{LD}	100 000 h
----------	-----------

Remarks

415 V, 50 Hz, 13,4 kvar
 440 V, 60 Hz, 18,1 kvar



Design data

Dimensions $\varnothing \times l$	121,6 x 248 mm (4,79 x 9,76 in)
Approx. weight	3,1 kg (6,8 lb)
Impregnation	Oil
Fixing	Threaded bolt M12
Mounting hole	14 mm (0,55 in)
Max. torque	10 Nm
Terminals	Screw clamps
Terminal cross section	6 mm 2 (9 AWG)
Creepage distance	12,7 mm (0,50 in)
Clearance	9,6 mm (0,38 in)
Overpressure disconnecter	