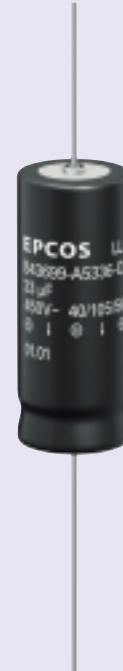


Axial Aluminum Electrolytic Capacitors for Electronic Ballasts: B43699

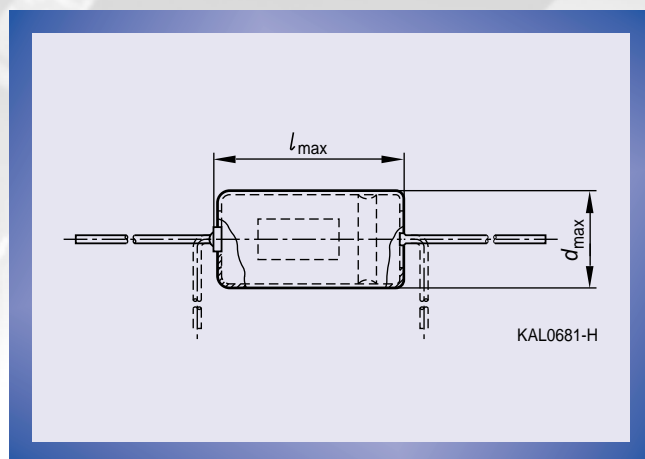
Specifications and characteristics in brief				Product	
Rated voltage	U_R	450		V_{dc}	
Surge voltage	U_S	550 at 85 °C, 500 V at 105 °C		V	
Rated capacitance	C_R	10 ... 47		μF	
Capacitance tolerance	$\Delta C/C$	-10/+30 ΔQ		%	
Useful life*	$t_{LD(CO)}$			h	
		40 °C, U_R	250 000 (2.2 $I_{R,105^\circ C}$)		
		85 °C, U_R, I_{R}	50 000		
		85 °C, $U_R, I_{R,max}$	25 000		
		105 °C, U_R, I_{R}	10 000		
Voltage endurance test		5 000, 105 °C, U_R			
Leakage current (5 min, 20 °C)	I_{LC}	$I_{LC} \leq 0.3 \cdot \left(\frac{C_R}{\mu F} \cdot \frac{U_R}{V} \right)^{0.7} + 4$		μA	
Self-inductance	L_{ESL}	diam. (d mm)	12 14 16 18	nH	
		length (l mm)	approx. L_{ESL}		
		25	- 22 26 -		
		30	21 24 29 34		
		39	- - 33 38		
IEC climatic category		in acc. with IEC 60068-1: 40/105/56 (-40 °C/+105 °C, 56 days damp heat test)			
Detail / Sectional spec.		similar to CECC 30 301-801 / IEC 60384-4			
Vibration resistance		in acc. with IEC 60068-2-6, test F_C : displacement amplitude 0.75 mm, frequency range 10 to 55 Hz, acceleration max. 10 g, duration 3 x 2 h			



*Ambient temperatures
Failure rate ≤ 20 fit, ($\leq 20 \cdot 10^{-9}/h$); failure percentage (during useful life) ≤ 1 %

Features

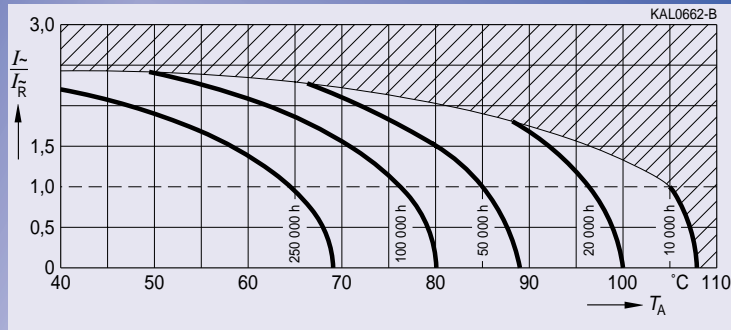
- U_R 450 V
- C_R 10 μF ... 47 μF
- Very long expected life at 105 °C / 10 000 h
- High ripple current capability
- High voltage capability and operation, 550 V / 85 °C / 500 h, 500 V / 105 °C / 2000 h
- Strong and reliable performance dedicated for electronic ballast units and similar designs
- Small dimensions



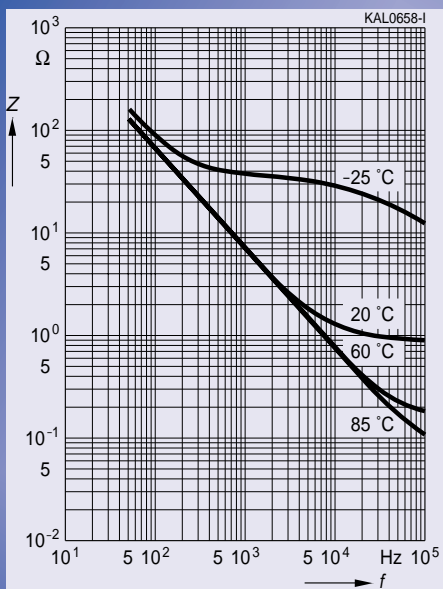
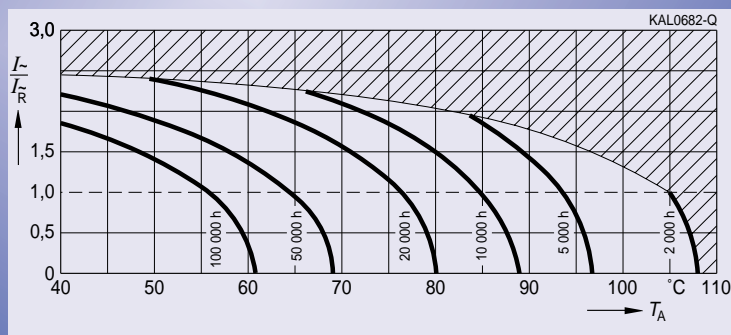
d x l (mm)	$d_{max} \times l_{max}$ (mm)	Mass (g)
12 x 30	12.5 x 30.5	5.1
14 x 25	14.5 x 25.5	5.7
14 x 30	14.5 x 30.5	6.8
16 x 30	16.5 x 30.5	8.9
16 x 39	16.5 x 40	11.7
18 x 30	18.5 x 30.5	11.1
18 x 39	18.5 x 40	14.7

Diagrams and Characteristics: B43699

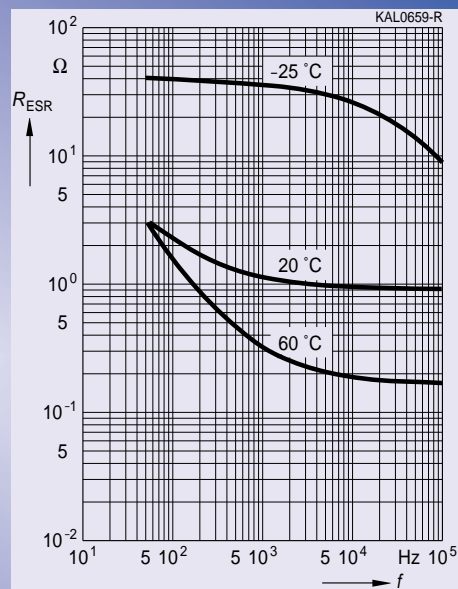
- Useful life depending on ambient temperature T_A under ripple current operating conditions
- Rated voltage U_R applied



- Useful life depending on ambient temperature T_A under ripple current operating conditions
- Operating voltage $U_{op} = 500$ V

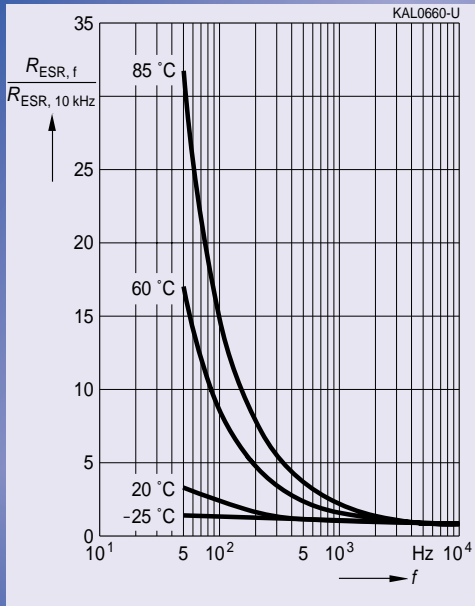


- Impedance Z versus frequency f at different temperatures
- Typical behavior for 22 μ F/450 V

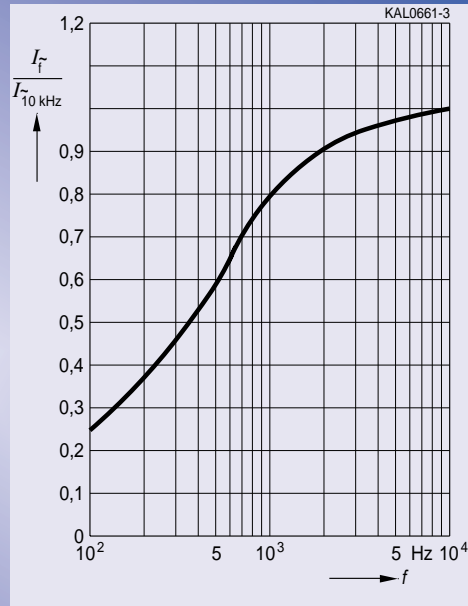


- Equivalent series resistance R_{ESR} versus frequency f at different temperatures
- Typical behavior for 22 μ F/450 V

Diagrams and Characteristics: B43699



- Standardized equivalent series resistance versus frequency f at different temperatures
- Typical behavior



- Frequency factor of permissible ripple current I_{\sim} versus frequency f

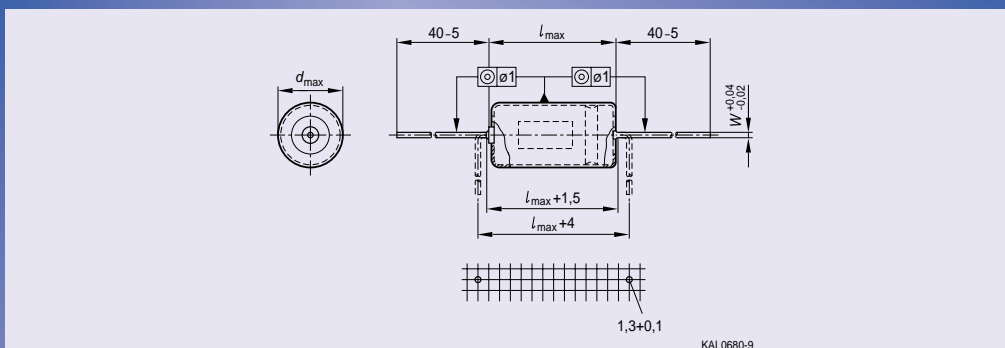
Technical Data and Ordering Code

U_R	C_R	Case dimens. $d \times l$ mm	$R_{ESR, typ}$ 100 Hz 20 °C Ω	$R_{ESR, max}$ 100 Hz 20 °C Ω	$R_{ESR, max}$ 100 Hz -25 °C Ω	$R_{ESR, max}$ 10 kHz 20 °C Ω	Z_{max} 100 kHz 20 °C Ω	$I_{\sim max}$ 10 kHz 40 °C A	$I_{\sim max}$ 10 kHz 85 °C A	$I_{\sim R}$ 10 kHz 105 °C A	Ord. code Bulk	Ord. code Pallet	Ord. code Reel
-------	-------	---------------------------------------	---	---	--	---	---	--	--	---------------------------------------	-------------------	---------------------	-------------------

B43699

450	10	14 x 25	5.1	8.3	165	3.9	3.8	1.20	0.95	0.50	A5106Q000	A5106Q007	A5106Q009
	15	14 x 30	3.4	5.5	110	2.6	2.5	1.60	1.25	0.67	A5156Q000	A5156Q007	A5156Q009
	22	16 x 30	2.3	3.8	75	1.8	1.7	2.00	1.60	0.84	A5226Q000	A5226Q007	A5226Q009
	33	16 x 39	1.6	2.5	50	1.2	1.1	2.80	2.20	1.15	A5336Q000	A5336Q007	
	47	18 x 39	1.1	1.7	35	0.9	0.8	3.50	2.75	1.45	A5476Q000	A5476Q007	

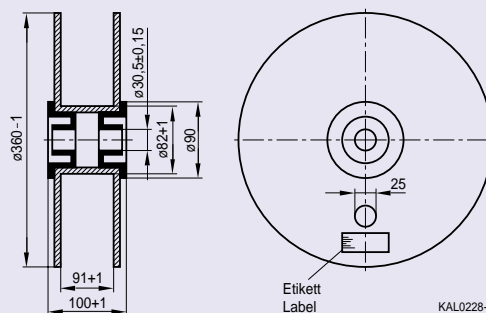
Dimensional Drawings



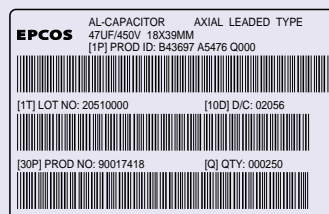
Dimensions (mm) d x l	d _{max} x l _{max}	Approximate mass (g)	wire W (mm)	Packing units		
				Bulk (pcs.)	Reel (pcs.)	Pallet (pcs.)
12 x 30	12.5 x 30.5	5.1	0.8	600	450	288
14 x 25	14.5 x 25.5	5.7	0.8	500	350	200
14 x 30	14.5 x 30.5	6.8	0.8	400	350	200
16 x 30	16.5 x 30.5	8.9	0.8	350	250	180
16 x 39	16.5 x 40	11.7	0.8	300	–	180
18 x 30	18.5 x 30.5	11.1	1.0	300	–	160
18 x 39	18.5 x 40	14.7	1.0	250	–	160

Packing

Axial-leaded capacitor (pallet/Q007; reel/Q009)



Label



[1P] Ordering code (bulk, e.g.)
 [1T] Lot number
 [10D] Date code (yywwd)
 [30P] Product number
 [Q] Quantity

KAL0677-P-E

Herausgegeben von EPCOS AG

Unternehmenskommunikation, Postfach 80 17 09, 81617 München, DEUTSCHLAND

☎ ++49 89 636 09, FAX (0 89) 636-2 26 89

© EPCOS AG 2002. Vervielfältigung, Veröffentlichung, Verbreitung und Verwertung dieser Broschüre und ihres Inhalts ohne ausdrückliche Genehmigung der EPCOS AG nicht gestattet.

Bestellungen unterliegen den vom ZVEI empfohlenen Allgemeinen Lieferbedingungen für Erzeugnisse und Leistungen der Elektroindustrie, soweit nichts anderes vereinbart wird.

Diese Broschüre ersetzt die vorige Ausgabe.

Fragen über Technik, Preise und Liefermöglichkeiten richten Sie bitte an den Ihnen nächstgelegenen Vertrieb der EPCOS AG oder an unsere Vertriebsgesellschaften im Ausland. Bauelemente können aufgrund technischer Erfordernisse Gefahrstoffe enthalten. Auskünfte darüber bitten wir unter Angabe des betreffenden Typs ebenfalls über die zuständige Vertriebsgesellschaft einzuholen.

Published by EPCOS AG

Corporate Communications, P.O. Box 80 17 09, 81617 Munich, GERMANY

☎ ++49 89 636 09, FAX (0 89) 636-2 26 89

© EPCOS AG 2002. Reproduction, publication and dissemination of this brochure and the information contained therein without EPCOS' prior express consent is prohibited.

Purchase orders are subject to the General Conditions for the Supply of Products and Services of the Electrical and Electronics Industry recommended by the ZVEI (German Electrical and Electronic Manufacturers' Association), unless otherwise agreed.

This brochure replaces the previous edition.

For questions on technology, prices and delivery please contact the Sales Offices of EPCOS AG or the international Representatives.

Due to technical requirements components may contain dangerous substances. For information on the type in question please also contact one of our Sales Offices.