



PM/P/P Cores Halves/EP/TT/PR Cores

Series/Type: EP 17

The following products presented in this data sheet are being withdrawn.

Ordering Code	Substitute Product	Date of Withdrawal	Deadline Last Orders	Last Shipments
B65845J0000Y042	B65845J0000Y066	2002-08-02	2002-12-31	2003-03-31

For further information please contact your nearest EPCOS sales office, which will also support you in selecting a suitable substitute. The addresses of our worldwide sales network are presented at www.epcos.com/sales.

- In accordance with IEC 61596
- For transformers featuring high inductance and low overall height
- For power applications
- EP cores are supplied in sets

Magnetic characteristics (per set)

$$\Sigma l/A = 0,84 \text{ mm}^{-1}$$

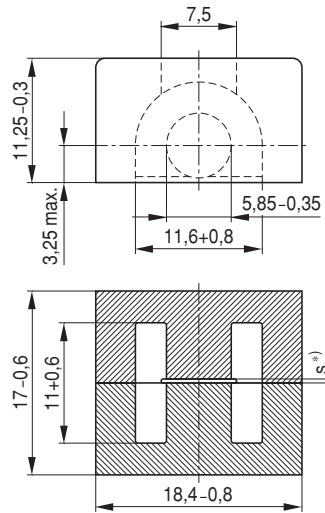
$$l_e = 28,5 \text{ mm}$$

$$A_e = 33,9 \text{ mm}^2$$

$$A_{\min} = 25,5 \text{ mm}^2$$

$$V_e = 966 \text{ mm}^3$$

Approx. weight 12 g/set



^{s)} gapped (one-sided)

FEP0027-X

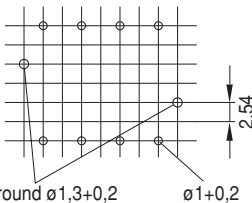
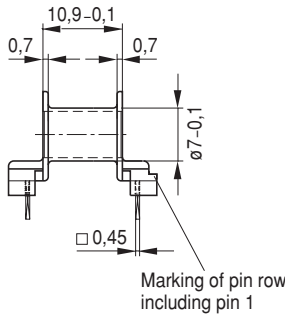
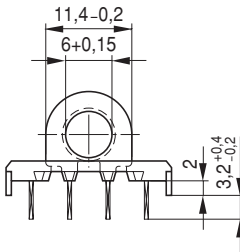
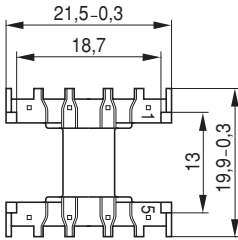
Ungapped

Material	A_L value	μ_e	$A_{L1\min}$	P_V	Ordering code
	nH			W/set	
N87	2400 + 30/- 20 %	1600	1350	< 0,4 (200 mT, 100 kHz, 100 °C)	B65845-J-R87
N26	2400 + 30/- 20 %	1600			B65845-J-R26
N30	4300 + 30/- 20 %	2870			B65845-J-R30
T65	6200 + 30/- 20 %	4190			B65845-J-R65
T38	10800 + 40/- 30 %	7220			B65845-J-Y38
T42	13000 + 40/- 30 %	8700			B65845-J-Y42

Coil former

Material: GFR thermosetting plastic (UL 94 V-0, insulation class to IEC 60085: H \geq max. operating temperature 180 °C), color code black
 Solderability: to IEC 60068-2-20, test Ta, method 1 (aging 3): 235 °C, 2 s
 Resistance to soldering heat: to IEC 60068-2-20, test Tb, method 1B: 350 °C, 3,5 s
 Winding: see "Processing Notes", page 156
 Squared pins

Sections	A_N mm ²	l_N mm	A_R value $\mu\Omega$	Terminals	Ordering code
1	20,3	28,7	48,6	8	B65846-W1008-D1



Hole arrangement
View in mounting direction

Ground $\varnothing 1,3+0,2$

$\varnothing 1,0+0,2$

FEP0028-C

Mounting assembly

The set comprises a yoke and a clamp

Yoke

Made of nickel silver (0,4 mm) with ground terminal (tinned)

Clamp

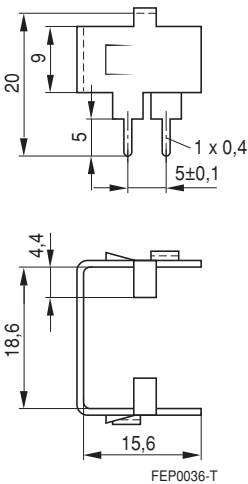
Spring clamp, made of nickel silver (0,4 mm)

Cap yoke

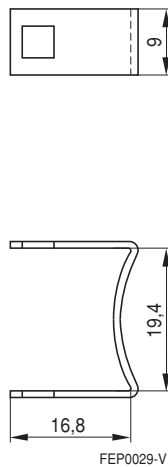
With ground terminal, made of stainless spring steel (tinned), 0,3 mm thick

	Ordering code
Complete mounting assembly	B65846-J2000
Cap yoke	B65846-C2000

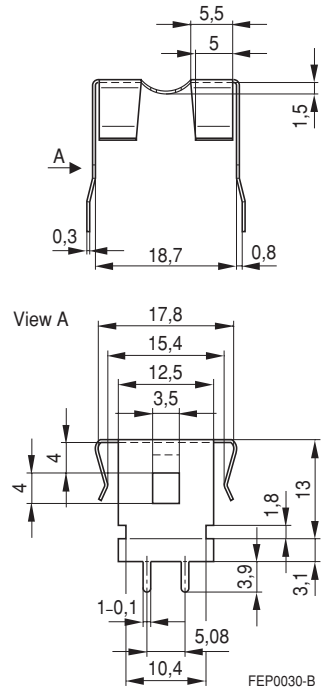
Yoke



Clamp



Cap yoke



Herausgegeben von EPCOS AG

Marketing Kommunikation, Postfach 80 17 09, 81617 München, DEUTSCHLAND

© EPCOS AG 2000. Alle Rechte vorbehalten. Vervielfältigung, Veröffentlichung, Verbreitung und Verwertung dieser Broschüre und ihres Inhalts ohne ausdrückliche Genehmigung der EPCOS AG nicht gestattet.

Mit den Angaben in dieser Broschüre werden die Bauelemente spezifiziert, keine Eigenschaften zugesichert. Bestellungen unterliegen den vom ZVEI empfohlenen Allgemeinen Lieferbedingungen für Erzeugnisse und Leistungen der Elektroindustrie, soweit nichts anderes vereinbart wird.

Diese Broschüre ersetzt die vorige Ausgabe.

Fragen über Technik, Preise und Liefermöglichkeiten richten Sie bitte an den Ihnen nächstgelegenen Vertrieb der EPCOS AG oder an unsere Vertriebsgesellschaften im Ausland.

Bauelemente können aufgrund technischer Erfordernisse Gefahrstoffe enthalten. Auskünfte darüber bitten wir unter Angabe des betreffenden Typs ebenfalls über die zuständige Vertriebsgesellschaft einzuholen.

Published by EPCOS AG

Marketing Communications, P.O. Box 80 17 09, 81617 Munich, GERMANY

© EPCOS AG 2000. All Rights Reserved. Reproduction, publication and dissemination of this brochure and the information contained therein without EPCOS' prior express consent is prohibited.

The information contained in this brochure describes the type of component and shall not be considered as guaranteed characteristics. Purchase orders are subject to the General Conditions for the Supply of Products and Services of the Electrical and Electronics Industry recommended by the ZVEI (German Electrical and Electronic Manufacturers' Association), unless otherwise agreed.

This brochure replaces the previous edition.

For questions on technology, prices and delivery please contact the Sales Offices of EPCOS AG or the international Representatives.

Due to technical requirements components may contain dangerous substances. For information on the type in question please also contact one of our Sales Offices.