



# Inductive Ferrite Components

xDSL Interface Transformers

Data Sheet



<http://www.epcos.com>

**Application**

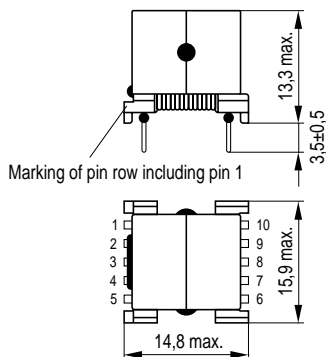
- Matched to the following IC  
Infineon PEB 22715
- CPE

**Features**

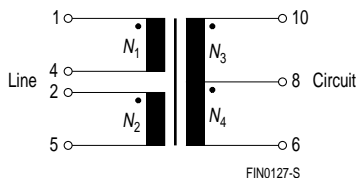
- Dielectric strength acc. to EN 60950  
basic insulation, operating voltage 250 V
- Small compact design

**Packing**

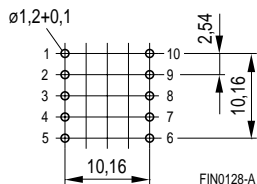
- Polyfoam tray (ESD)
- Packing unit: 500 pcs.



**Layout**



Recommended hole arrangement  
(view in mounting direction)



**Technical data**

|                    |                     |              |
|--------------------|---------------------|--------------|
| Ordering code      | B78421-P1579-A5     |              |
| Type/Core          | EP 13               |              |
| N1 : N2 : N3 : N4  | 1,77 : 1,77 : 1 : 1 |              |
| $L_H$ (line)       | [mH]                | 1,382 ± 10 % |
| $L_S$              | [µH]                | 16           |
| $R_{Cu}$ (line)    | [Ω]                 | 2,7          |
| $R_{Cu}$ (circuit) | [Ω]                 | 0,72         |
| $V_P$              | [kV <sub>AC</sub> ] | 2            |

**Application**

- Matched to the following ICs, e.g. Infineon PEB 22522, Mubic

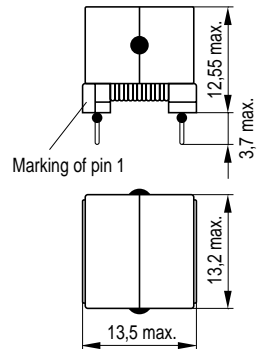
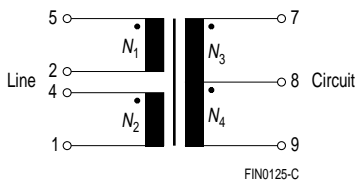
**Features**

- Small compact design

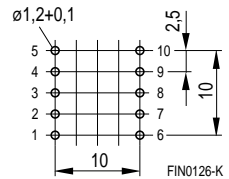
**Packing**

- Polyfoam tray (ESD)
- Packing unit: 500 pcs.

**Layout**



Recommended hole arrangement (view in mounting direction)



**Technical data**

|                    |                     |             |
|--------------------|---------------------|-------------|
| Ordering code      | B78421-P1544-A5     |             |
| Type/Core          | EP 13               |             |
| N1 : N2 : N3 : N4  | 2 : 2 : 1 : 1       |             |
| $L_H$ (line)       | [mH]                | 9,98 ± 10 % |
| $L_S$              | [µH]                | 80          |
| $R_{Cu}$ (line)    | [Ω]                 | 13          |
| $R_{Cu}$ (circuit) | [Ω]                 | 5,2         |
| $V_P$              | [kV <sub>AC</sub> ] | 2           |

**Published by EPCOS AG**

**Marketing Communications, P.O. Box 80 17 09, 81617 Munich, GERMANY**

© EPCOS AG 2001. All Rights Reserved. Reproduction, publication and dissemination of this brochure and the information contained therein without EPCOS' prior express consent is prohibited.

The information contained in this brochure describes the type of component and shall not be considered as guaranteed characteristics. Purchase orders are subject to the General Conditions for the Supply of Products and Services of the Electrical and Electronics Industry recommended by the ZVEI (German Electrical and Electronic Manufacturers' Association), unless otherwise agreed.

This brochure replaces the previous edition.

For questions on technology, prices and delivery please contact the Sales Offices of EPCOS AG or the international Representatives.

Due to technical requirements components may contain dangerous substances. For information on the type in question please also contact one of our Sales Offices.