

I Core Chokes

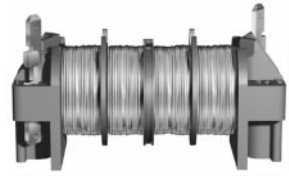
Rated voltage 400 Vac/450 Vdc

Rated current 0,5 to 10 A

Rated inductance 0,1 to 47 mH

Construction

- Chokes with winding of enamel copper wire


Features

- Low power dissipation
- Broadband interference suppression

Applications

- Attenuation of differential and common-mode interference
- High-performance power supplies
- Industrial applications


Terminals

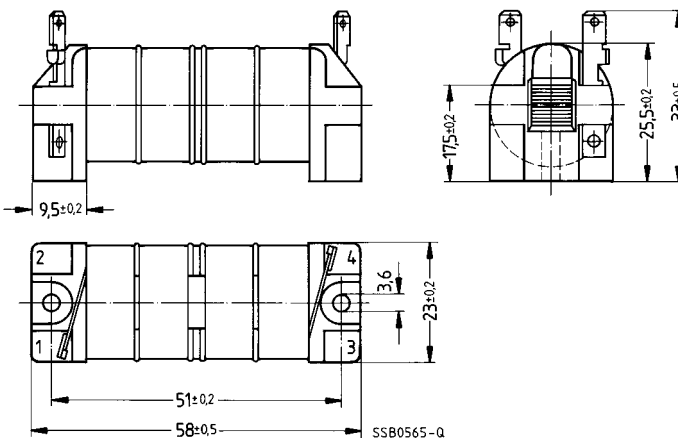
- Tab connectors

Marking

Manufacturer, ordering code, rated inductance, rated current, VDE mark

Approvals

Approval mark	Standard
	VDE 0565-2

Dimensional drawing


I Core Chokes
General technical data

Inductance tolerance	$\pm 20\%$
Rated current I_R	Referred to 50 Hz and 40 °C ambient temperature
DC resistance R_{typ}	Typical value, measured at 20 °C ambient temperature
Climatic category	40/125/56 (– 40 °C/+ 125 °C/56 days damp heat test) in accordance with IEC 60068-1
Permissible operating current at 400 Hz	$0,75 \cdot I_R$
Weight	Approx. 70 to 90 g

For further technical data [see page 308](#)

Characteristics and ordering codes

I_R A	L_R mH	R_{typ} Ω	Ordering code
0,5	47	10	B82503-U-A5
1	15	2,7	B82503-U-A8
2	3,3	0,7	B82503-U-A10
4	0,68	0,2	B82503-U-A12
6	0,33	0,1	B82503-U-A13
10	0,1	0,03	B82503-U-A14

Impedance $|Z|$

versus frequency f

