



Installation Accessories

Series/Type: B84298A0042L

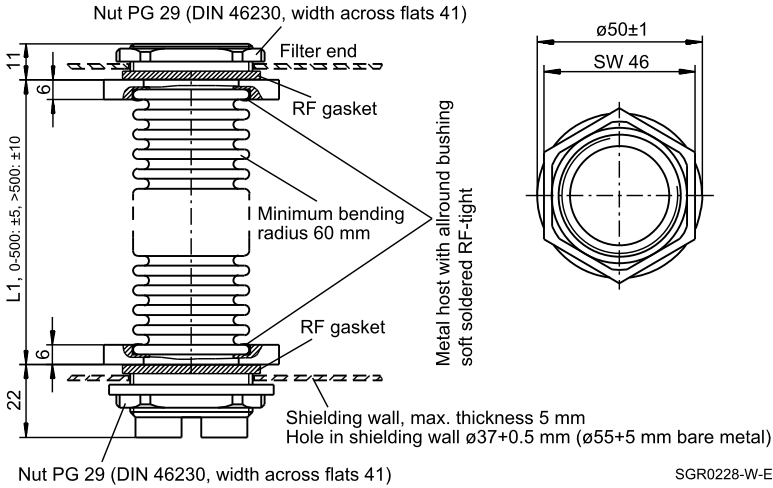
Date: January 2004

© EPCOS AG 2004. Reproduction, publication and dissemination of this data sheet, enclosures hereto and the information contained therein without EPCOS' prior express consent is prohibited.

Purchase orders are subject to the General Conditions for the Supply of Products and Services of the Electrical and Electronics Industry recommended by the ZVEI (German Electrical and Electronic Manufacturers' Association), unless otherwise agreed.

Flexible connector fittings, nominal width 25 mm

Dimensional drawing



Available lengths:

L1	Increment	Tolerance	Ordering code
6 up to 100 cm	2 cm	± 5 mm	B84298A0042L***
>100 up to 400 cm	5 cm	± 5 mm	
>400 up to 500 cm	5 cm	± 5 mm	
>500 up to 600 cm	10 cm	± 10 mm	*** = required length Example for length 24 cm: B84298A0042L024
>600 up to 980 cm	20 cm	± 10 mm	

Installation of filters with internal thread PG 29

Note:

Use new RF gaskets after replacing connector fitting.

Ordering code for replacement RF gaskets (per set): B84298M0029C901

