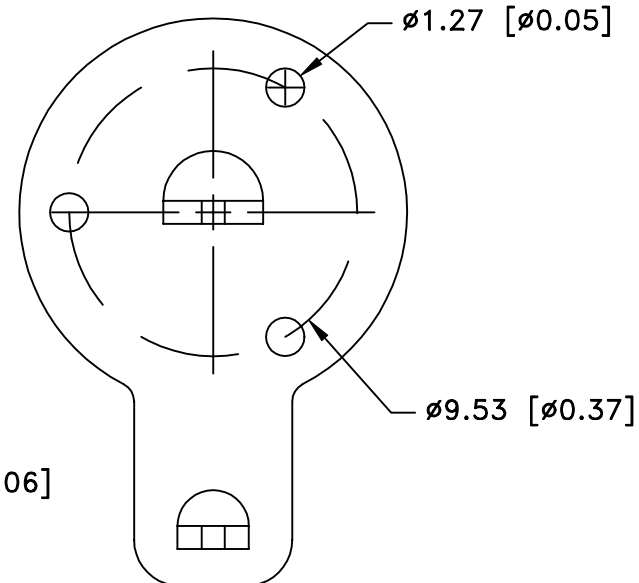
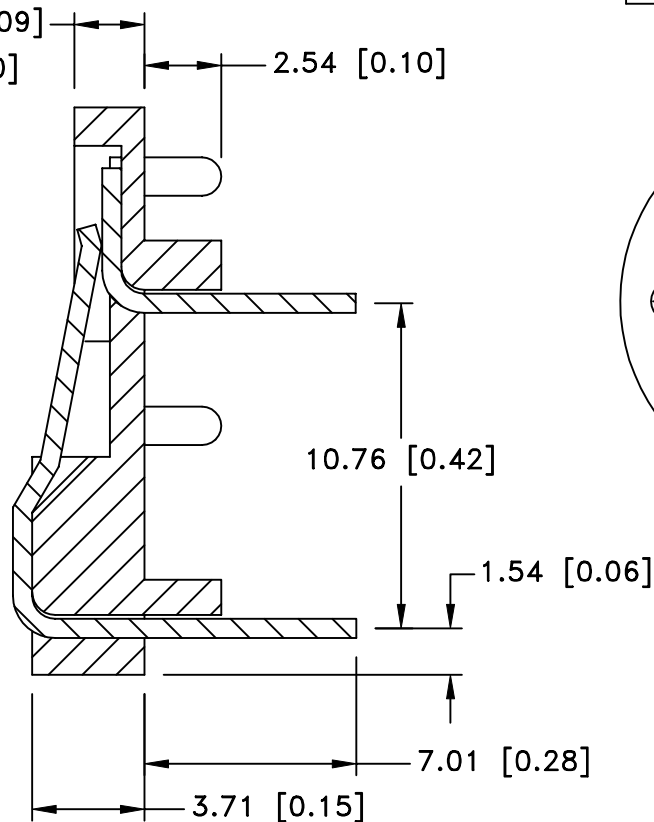
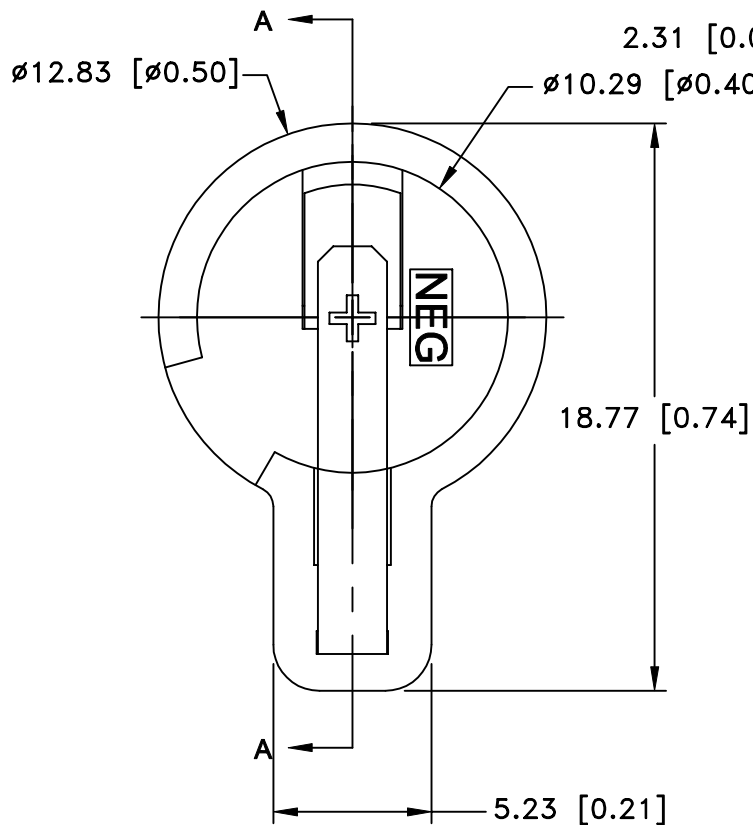


**PCB LAYOUT**


Date	SYM	REVISION RECORD	AUTH	DR.	CK.



**NOTES:**

**MATERIAL:**

HOLDER: PBT POLYESTER, BLACK, UL94V-0  
 POS. CONT.: 302/304 STN. STL., SPRING TEMPER, NICKEL  
 PLTD., Sn-Pb PLTD SOLDER TAILS  
 NEG. CONT.: 302/304 STN. STL., SPRING TEMPER, NICKEL  
 PLTD., Sn-Pb PLTD SOLDER TAILS

Tolerance (Except as noted)	 <b>Memory Protection Devices, Inc</b> 200 Broad Hollow Road, Farmingdale, New York 11735	
decimal ±.5 (.020)	Scale	Drawn By B.S. Approved By T.B.
Fractional ± .8 (.030)	Title COIN CELL HOLDER	
Angular ± 3°	Date 03/01/03	Drawing Number BH401