

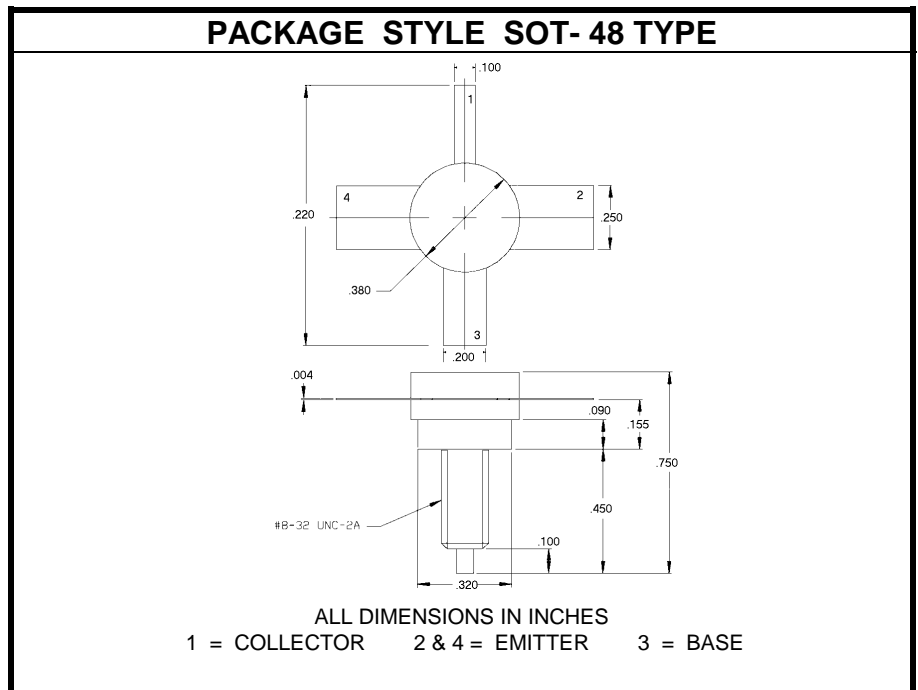
NPN SILICON POWER TRANSISTOR

DESCRIPTION:

The **ASI BLY91A** is Designed for 28 V Class A, B and C Transmitter Applications.

MAXIMUM RATINGS

I_C	750 mA 2.25 A (PEAK) $f = \geq 1.0$ MHz
V_{CE}	36 V
V_{CB}	65 V
P_{DISS}	17.5 W @ $T_{mb} = 25^\circ\text{C}$
T_J	-30°C to $+200^\circ\text{C}$
T_{STG}	-30°C to $+200^\circ\text{C}$
θ_{JC}	9.4 $^\circ\text{C}/\text{W}$


CHARACTERISTICS $T_C = 25^\circ\text{C}$

SYMBOL	TEST CONDITIONS	MINIMUM	TYPICAL	MAXIMUM	UNITS
BV_{CEO}	$I_C = 10$ mA	36			V
BV_{CBO}	$I_C = 1.0$ mA	65			V
BV_{EBO}	$I_E = 1.0$ mA	4.0			V
I_{CEO}	$V_{CE} = 28$ V			5.0	mA
h_{FE}	$V_{CE} = 5.0$ V $I_C = 500$ mA	5.0			---
C_{ob}	$V_{CB} = 30$ V $f = 1.0$ MHz		10	15	pF
f_t	$V_{CE} = 20$ V $I_C = 400$ mA $f = 500$ MHz		500		MHz
G_p	$V_{CC} = 28$ V $I_C = \leq 0.4$ A $f = 175$ MHz	12			dB
P_L		8.0			W
η		65			%