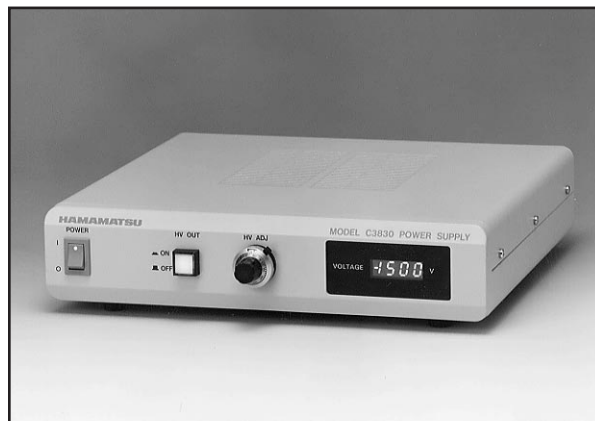


Compact Bench-top Type Multipurpose Power Supply Simultaneous Outputs of $\pm 5V$, $\pm 15V$ and High Voltage

FEATURES

- Compact bench-top type
- Simultaneous outputs of $\pm 5V$, $\pm 15V$ and high voltage (+200 to +1500V)
- High stability

The C4720 is a bench-top type multipurpose power supply incorporating a high voltage power supply that provides maximum output of +1.5kV for a photomultiplier tube and constant voltage power supplies that provide $\pm 5V$ and $\pm 15V$ for peripheral devices such as Hamamatsu photon counting units. The four digit digital voltmeter on the front panel shows the output value of high voltage with high accuracy.



SPECIFICATIONS

Parameter	High Voltage Power Supply Section	$\pm 5V$ Power Supply Section	$\pm 15V$ Power Supply Section
Output Voltage	+200 to +1500Vdc (variable)	$\pm (5.00 \pm 0.25)$ Vdc (fixed)	$\pm (15.00 \pm 0.75)$ Vdc (fixed)
Maximum Output Current	1mA	500mA	200mA
Input Regulation [Ⓐ]	$\pm 0.001\%$ Max.	$\pm 0.1\%$ Max.	$\pm 0.1\%$ Max.
Load Regulation [Ⓑ]	$\pm 0.005\%$ Max.	$\pm 1\%$ Max.	$\pm 0.5\%$ Max.
Ripple/noise [Ⓒ]	0.005%p-p Max.	8mVp-p Max.	8mVp-p Max.
Drift [Ⓓ]	$\pm 0.03\%/h$ Max.	$\pm 0.05\%/h$ Max.	$\pm 0.05\%/h$ Max.
Temperature Coefficient	$\pm 0.03\%/^{\circ}C$ Max.	$\pm 0.03\%/^{\circ}C$ Max.	$\pm 0.03\%/^{\circ}C$ Max.
Output Receptacle	One MHV receptacle	Two 4-pin receptacles (HIROSE SR30-10R-4S)	One 4-pin receptacle (MIYAMA MC-032)
High Voltage Output Monitor	4-digit display	—	—
High Voltage Output Monitoring Accuracy	$\pm 0.5\%$ Max.	—	—
Input Line Voltage	100/115/220Vac $\pm 10\%$ (To be selected on order)		
Input Line Voltage Frequency	50/60Hz		
Power Consumption [Ⓔ]	Approx. 50VA Max.		
Operating Temperature/ Humidity Range [Ⓔ]	0 to +40°C, 90%RH Max.		
Characteristics Guaranteed Temperature/Humidity Range [Ⓔ]	+5 to +35°C, 85%RH Max.		
Storage Temperature/ Humidity Range [Ⓔ]	-20 to +50°C, 95%RH Max.		
Dimensions [Ⓕ]	255(W) \times 54(H) \times 230(D)mm		
Weight	Approx. 2.8kg		

Ⓐ: For 10% change in input voltage

Ⓑ: For 0 to 100% change in load

Ⓒ: At the maximum output

Ⓓ: After 30-minutes warm-up

Ⓔ: Without moisture condensation

Ⓕ: Excluding projecting parts

Subject to local technical requirements and regulations, availability of products included in this promotional material may vary. Please consult with our sales office.

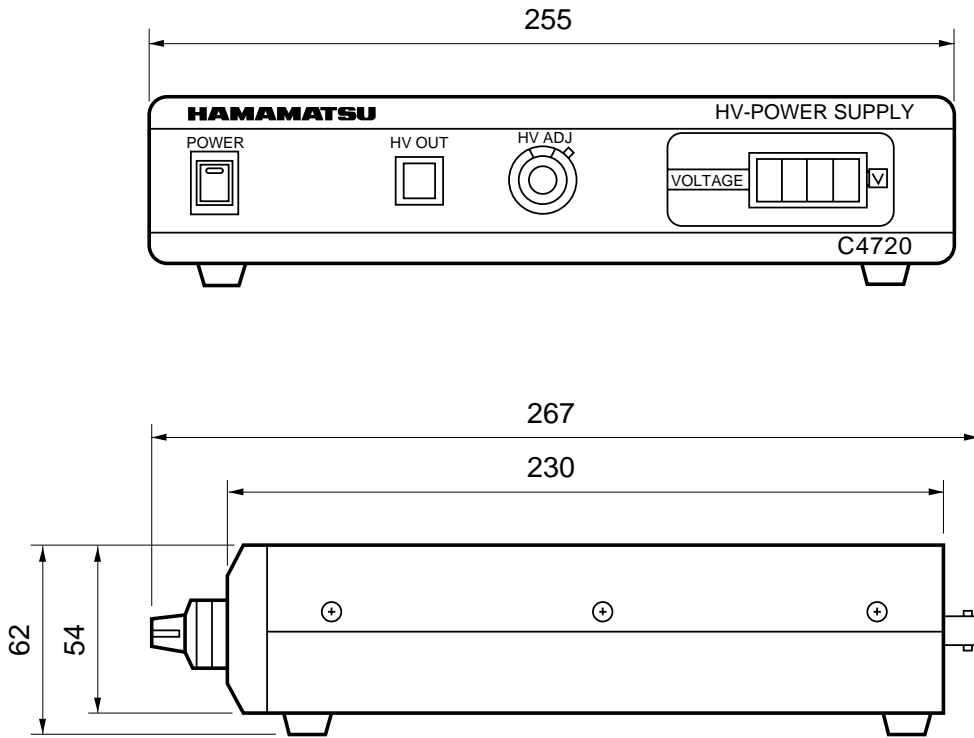
Information furnished by HAMAMATSU is believed to be reliable. However, no responsibility is assumed for possible inaccuracies or omissions. Specifications are subject to change without notice. No patent right are granted to any of the circuits described herein. © 1993 Hamamatsu Photonics K.K.

COMPACT BENCH-TOP TYPE REGULATED DC POWER SUPPLY C4720

ACCESSORIES

1. High voltage output cable (1.5m long) terminated with MHV-P plugs 1
2. Spare fuses 2
3. $\pm 5V$ mating plugs (HIROSE SR30-10PE-4P) 2
4. $\pm 15V$ mating plug (MIYAMA MC-032) 1
5. Instruction manual 1

DIMENSIONAL OUTLINES (Unit : mm)



TACCA0016EB

HAMAMATSU

HAMAMATSU PHOTONICS K.K., Electoron Tube Center

314-5, Shimokanzo, Toyooka-village, Iwata-gun, Shizuoka-ken, 438-0193, Japan, Telephone: (81)539/62-5248, Fax: (81)539/62-2205

U.S.A.: Hamamatsu Corporation: 360 Foothill Road, Bridgewater, N.J. 08807-0910, U.S.A., Telephone: (1)908-231-0960, Fax: (1)908-231-1218

Germany: Hamamatsu Photonics Deutschland GmbH: Arzbergerstr. 10, D-82211 Herrsching am Ammersee, Germany, Telephone: (49)8152-375-0, Fax: (49)8152-2658

France: Hamamatsu Photonics France S.A.R.L.: 8, Rue du Saule Trapu, Parc du Moulin de Massy, 91882 Massy Cedex, France, Telephone: (33)1 69 53 71 00, Fax: (33)1 69 53 71 10

United Kingdom: Hamamatsu Photonics UK Limited: Lough Point, 2 Gladbeck Way, Windmill Hill, Enfield, Middlesex EN2 7JA, United Kingdom, Telephone: (44)181-367-3560, Fax: (44)181-367-6384

North Europe: Hamamatsu Photonics Norden AB: Färögatan 7, S-164-40 Kista Sweden, Telephone: (46)8-703-29-50, Fax: (46)8-750-58-95

Italy: Hamamatsu Photonics Italia: S.R.L.: Via Della Moia, 1/E, 20020 Arese, (Milano), Italy, Telephone: (39)2-935 81 733, Fax: (39)2-935 81 741

TACC1002E01
MAY 1993