

The C7247 series is a DA type socket assembly designed for 28 mm (1-1/8 inch) diameter side-on and head-on photomultiplier tubes. The C7247 series socket assembly incorporates a voltage-divider circuit and a current-to-voltage conversion circuit along with an amplifier having a wide bandwidth (0 Hz to 5 MHz).

The C7247 series converts the low-level, high-impedance current of a photomultiplier tube into a low-impedance voltage output by a factor of 0.3 V/  $\mu$ A.

Since the C7247 series employs an active voltage-divider circuit, it ensures an excellent DC linearity at low power consumption.

### FEATURES

- Low power consumption
- Low offset voltage
- Wide frequency band
- Compact and light weight

### SPECIFICATIONS

Parameter	C7247	C7247-01	Unit
Applicable Photomultiplier Tubes	28 mm Dia. Head-on	28 mm Dia. Side-on	—
	R374, R2228, R5929, R6095, etc	R928, R3788, R3896, R4220, etc	—

### MAXIMUM RATINGS

Parameter	Value	Unit
Input Voltage for Amplifier	$\pm 18$	V dc
Supply Voltage for Divider	-1500	V dc
Operating Temperature	0 to +40	$^{\circ}$ C
Storage Temperature	-15 to +60	$^{\circ}$ C

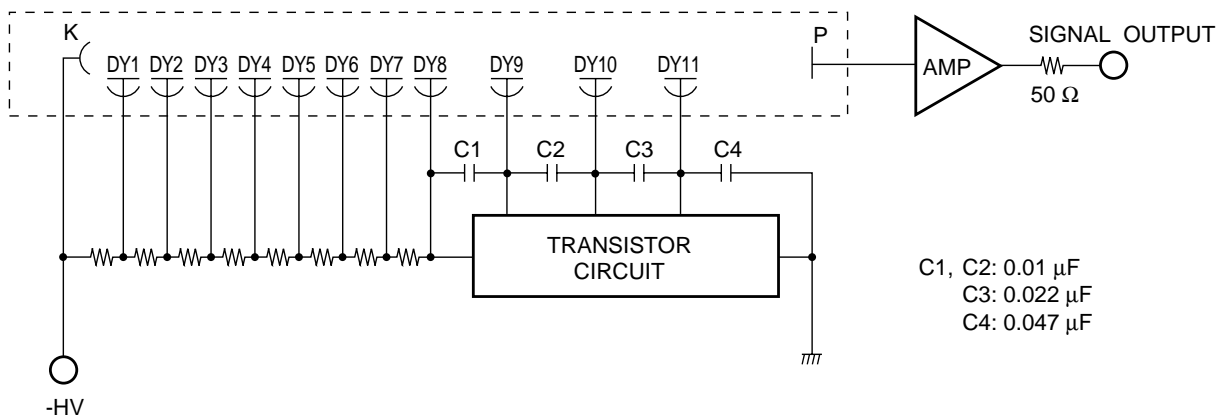
### GENERAL

Parameter	C7247	C7247-01	Unit
Input Voltage for Amplifier	$\pm 12$ to $\pm 15$ <sup>①</sup>		V dc
Input Current for Amplifier (at $\pm 15$ V)	12		mA Typ.
Recommended Supply Voltage for Divider	-400 to -900	-300 to -600	V dc
Divider Current	219 (at HV=-900 V)	166 (at HV=-600 V)	$\mu$ A Typ.
Current to Voltage Conversion Factor	0.3		V/ $\mu$ A
Maximum Output Voltage (with no load resistor)	10		V
Output Voltage (with 50 $\Omega$ load resistor)	3		V
Maximum Input Signal Current (at 10 V output, HV=-1000 V with no load resistor)	DC	33	$\mu$ A
	Pulse	33	$\mu$ A
Frequency Bandwidth (-3 dB)	0 Hz to 5 MHz		—
Output Impedance	50		$\Omega$
Offset Voltage	$\pm 3$		mV Max.
Output Noise Voltage	9		mV rms. Typ.
Total Power Consumption (at $\pm 15$ V)	558 (at HV=-900 V)	460 (at HV=-600 V)	mW Typ.
Weight	55	50	g Typ.

① To be also practicable even with  $\pm 5$  V of input supply voltage except for narrow output range (2 V max).

# DA-TYPE SOCKET ASSEMBLIES C7247 SERIES

Figure 1. Schematic Diagram



TACCC0115EB

Figure 2. Frequency Response of Built-in Amplifier

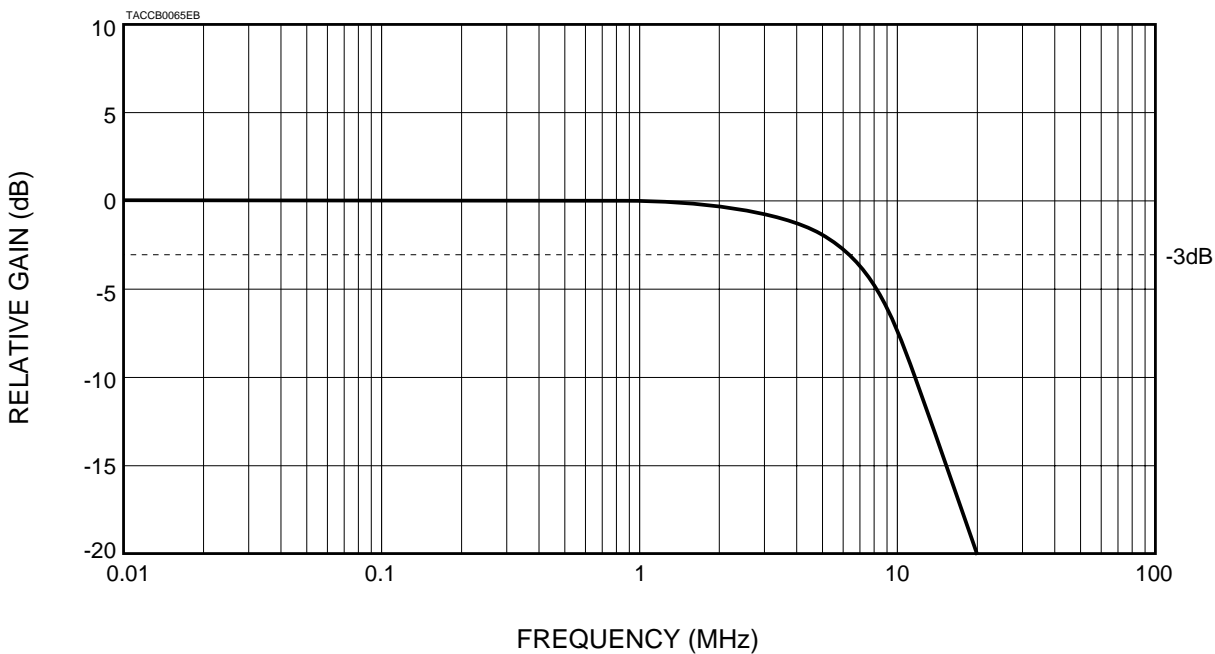
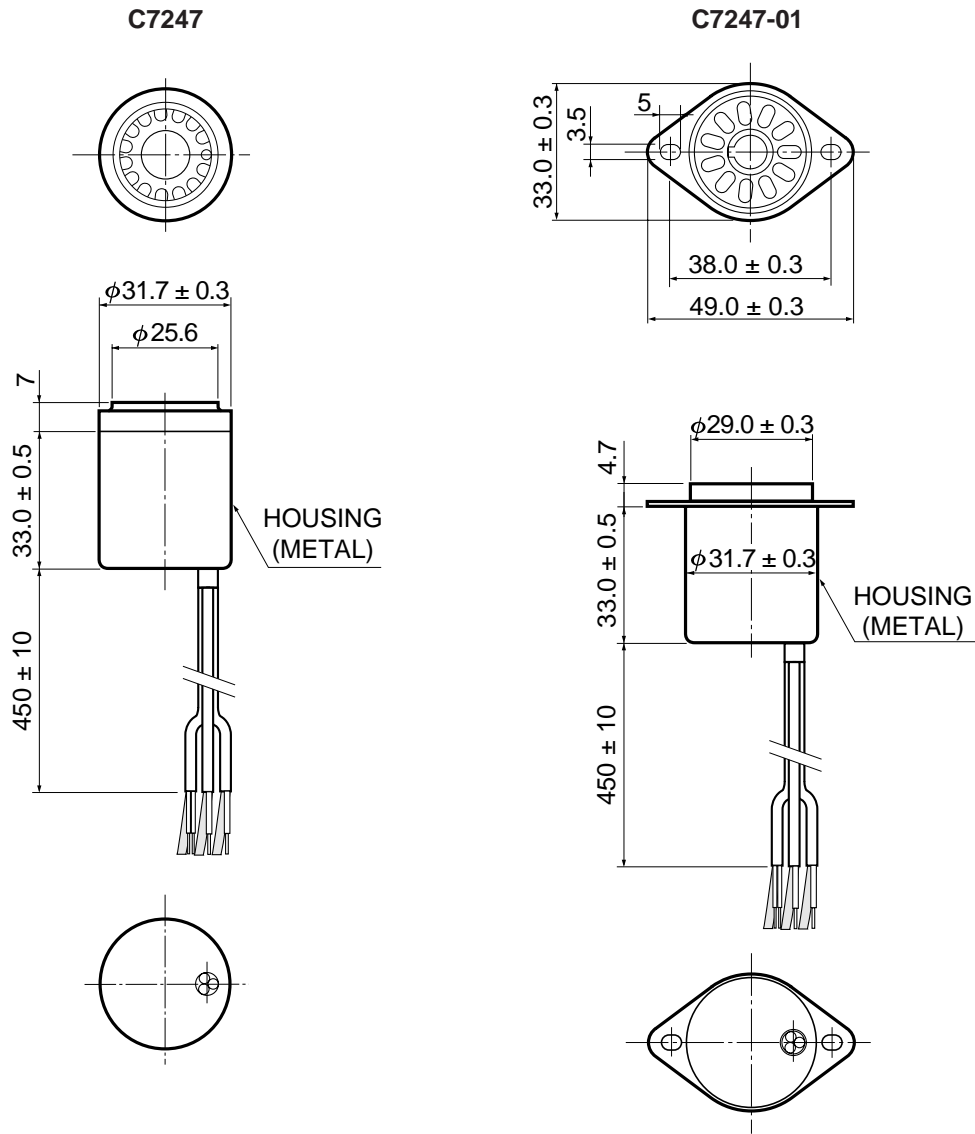


Figure 3. Dimensional Outline (Unit: mm)



TACCA0197EB

-HV	SHIELD CABLE <sup>1)</sup>	RED
SIGNAL OUTPUT	COAX RG-174/U	BLACK
$\pm 15$ V	SHIELDED CABLE (COVERING TWISTED PAIR) <sup>2)</sup>	GRAY

NOTES: 1) At the end of HV cable, it's possible to attach SHV connector fitting RG-174/U.

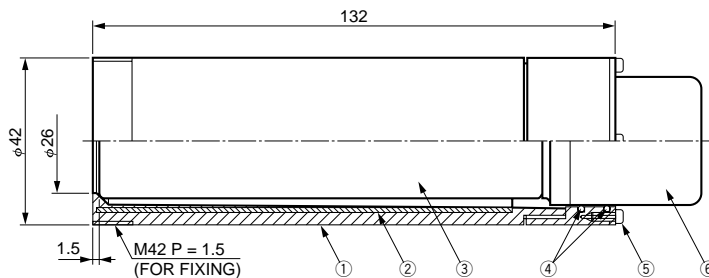
2) Connect as follows.

Orange Lead ..... +15 V  
 White Lead ..... -15 V  
 Shield ..... GND.

# DA-TYPE SOCKET ASSEMBLIES C7247 SERIES

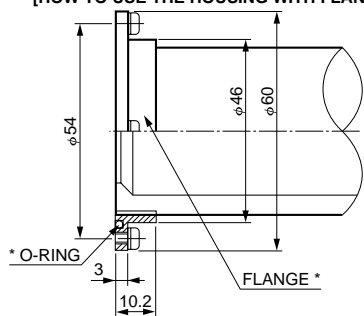
## OPTIONS

### ● HOUSING E7718 FOR C7247 (INCLUDING PART #①, ②, ④ AND ⑤) (Unit: mm)

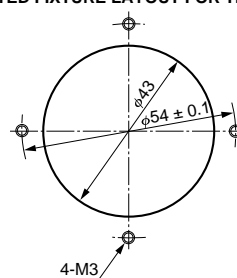


- ① HOUSING
- ② MAGNETIC SHIELD CASE
- ③ PMT
- ④ O-RINGS
- ⑤ 4-M2 SCREWS L = 6
- ⑥ C7247

[HOW TO USE THE HOUSING WITH FLANGE]



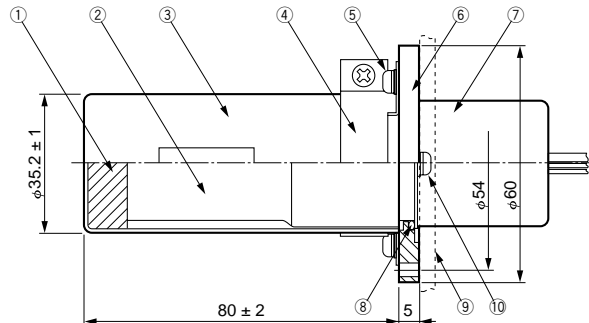
[SUGGESTED FIXTURE LAYOUT FOR THE FLANGE]



\* THE FLANGE AND O-RING ARE AVAILABLE TO ORDER SEPARATELY AS P/N; A7719.

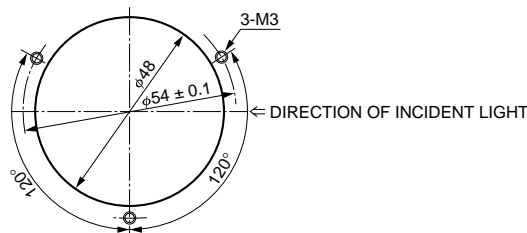
TACCA0198EA

### ● FLANGE SET A7709 FOR C7247-01 (INCLUDING PART #①, ④, ⑤, ⑥, ⑧ AND ⑩) (Unit: mm)



- ① INSULATOR (CUSHION)
- ② PMT
- ③ E989 MAGNETIC SHIELD CASE
- ④ CLAMPING METAL PARTS
- ⑤ 2-M3 SCREWS L = 5
- ⑥ FLANGE
- ⑦ C7247-01
- ⑧ O-RING
- ⑨ FIXTURE
- ⑩ 2-M3 SCREWS L = 5

[SUGGESTED FIXTURE LAYOUT FOR THE FLANGE]



TACCA0199EA

# HAMAMATSU

HOME PAGE URL <http://www.hamamatsu.com>

HAMAMATSU PHOTONICS K.K., Electron Tube Center

314-5, Shimokanzo, Toyooka-village, Iwata-gun, Shizuoka-ken, 438-0193, Japan, Telephone: (81)539/62-5248, Fax: (81)539/62-2205

U.S.A.: Hamamatsu Corporation: 360 Foothill Road, P. O. Box 6910, Bridgewater, N.J. 08807-0910, U.S.A., Telephone: (1)908-231-0960, Fax: (1)908-231-1218 E-mail: [usa@hamamatsu.com](mailto:usa@hamamatsu.com)

Germany: Hamamatsu Photonics Deutschland GmbH: Arzbergerstr. 10, D-82211 Herrsching am Ammersee, Germany, Telephone: (49)8152-375-0, Fax: (49)8152-2658 E-mail: [info@hamamatsu.de](mailto:info@hamamatsu.de)

France: Hamamatsu Photonics France S.A.R.L.: 8, Rue du Saule Trapu, Parc du Moulin de Massy, 91882 Massy Cedex, France, Telephone: (33)1 69 53 71 00, Fax: (33)1 69 53 71 10 E-mail: [infos@hamamatsu.fr](mailto:infos@hamamatsu.fr)

United Kingdom: Hamamatsu Photonics UK Limited: 2 Howard Court, 10 Tewin Road Welwyn Garden City Hertfordshire AL7 1BW, United Kingdom, Telephone: 44-(0)1707-294888, Fax: 44(0)1707-325777 E-mail: [info@hamamatsu.co.uk](mailto:info@hamamatsu.co.uk)

North Europe: Hamamatsu Photonics Norden AB: Smidesvägen 12, SE-171-41 SOLNA, Sweden, Telephone: (46)8-509-031-00, Fax: (46)8-509-031-01 E-mail: [info@hamamatsu.se](mailto:info@hamamatsu.se)

Italy: Hamamatsu Photonics Italia: S.R.L.: Strada della Moia, 1/E, 20020 Arese, (Milano), Italy, Telephone: (39)02-935 81 733, Fax: (39)02-935 81 741 E-mail: [info@hamamatsu.it](mailto:info@hamamatsu.it)

TACC1024E02  
DEC. 2000 IP  
Printed in Japan (500)