

DATA SHEET

CBT3244A

Octal bus switch with quad output enables

Product data sheet

2004 May 26

Octal bus switch with quad output enables

CBT3244A

FEATURES

- Standard '244-type pinout
- 5 Ω switch connection between two ports
- TTL compatible control input levels
- Package options include plastic small outline (D), shrink small outline (DB), QSOP (DS), and thin shrink small outline (TSSOP)
- Latch-up protection exceeds 500 mA per JESD78
- ESD protection exceeds 1000 V HBM per JESD22-A114, 200 V MM per JESD22-A115 and 1000 V CDM per JESD22-C101

DESCRIPTION

The CBT3244A provides eight bits of high-speed TTL-compatible bus switching in a standard '244 device pinout. The low on-state resistance of the switch allows connections to be made with minimal propagation delay.

The CBT3244A device is organized as two 4-bit low-impedance switches with separate output-enable (OE) inputs. When OE is LOW, the switch is on and data can flow from port A to port B, or vice versa. When OE is HIGH, the switch is open and high-impedance state exists between the two ports.

The CBT3244A is characterized for operation from $-40\text{ }^{\circ}\text{C}$ to $85\text{ }^{\circ}\text{C}$.

PIN CONFIGURATION — SO, SSOP, QSOP, and TSSOP

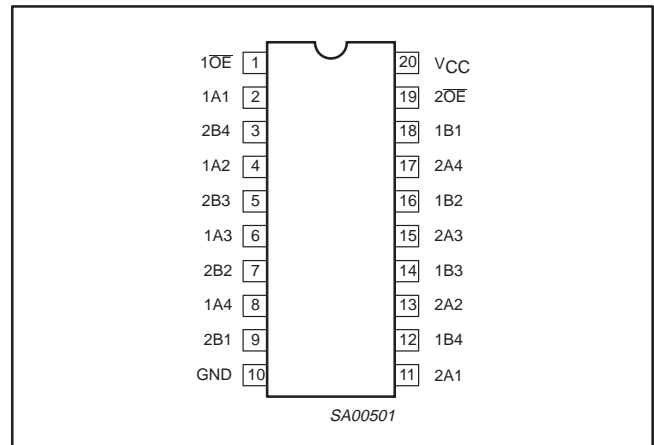


Figure 1. Pin configuration — SO, SSOP, QSOP, and TSSOP

PIN DESCRIPTION

| PIN NUMBER | SYMBOL | NAME AND FUNCTION |
|----------------|-----------------|-------------------------|
| 1, 19 | 1OE, 2OE | Output enable |
| 2, 4, 6, 8 | 1A1–1A4 | Inputs |
| 11, 13, 15, 17 | 2A1–2A4 | Inputs |
| 18, 16, 14, 12 | 1B1–1B4 | Outputs |
| 9, 7, 5, 3 | 2B1–2B4 | Outputs |
| 10 | GND | Ground (0V) |
| 20 | V _{CC} | Positive supply voltage |

ORDERING INFORMATION

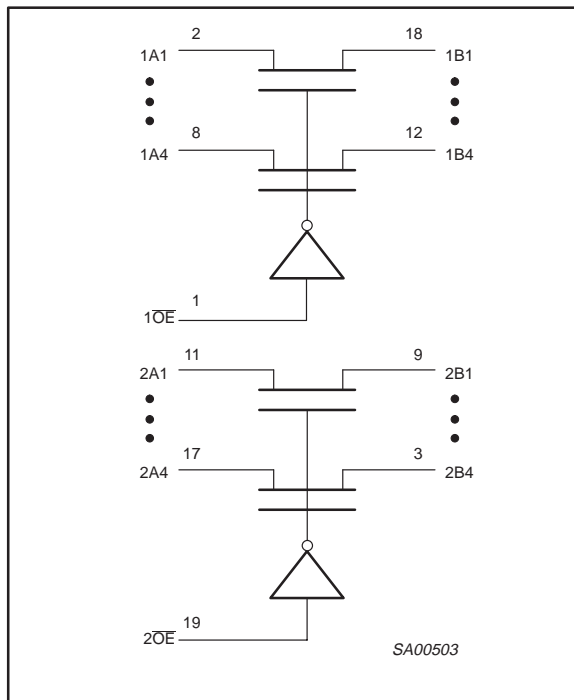
| PACKAGES | TEMPERATURE RANGE | ORDER CODE | TOPSIDE MARK | DWG NUMBER |
|----------------------------|---|------------|--------------|------------|
| 20-Pin Plastic TSSOP | $-40\text{ }^{\circ}\text{C}$ to $85\text{ }^{\circ}\text{C}$ | CBT3244APW | CT3244A | SOT360-1 |
| 20-Pin Plastic SSOP (QSOP) | $-40\text{ }^{\circ}\text{C}$ to $85\text{ }^{\circ}\text{C}$ | CBT3244ADS | CT3244ADS | SOT724-1 |
| 20-Pin Plastic SSOP | $-40\text{ }^{\circ}\text{C}$ to $85\text{ }^{\circ}\text{C}$ | CBT3244ADB | CT3244A | SOT339-1 |
| 20-Pin Plastic SO | $-40\text{ }^{\circ}\text{C}$ to $85\text{ }^{\circ}\text{C}$ | CBT3244AD | CBT3244AD | SOT163-1 |

Standard packing quantities and other packaging data is available at www.philipslogic.com/packaging.

Octal bus switch with quad output enables

CBT3244A

LOGIC SYMBOL



FUNCTION TABLE

| INPUTS | | OUTPUTS | |
|--------|-----|---------|---------|
| 1OE | 2OE | 1A, 1B | 2A, 2B |
| L | L | 1A = 1B | 2A = 2B |
| L | H | 1A = 1B | Z |
| H | L | Z | 2A = 2B |
| H | H | Z | Z |

H = High voltage level
 L = Low voltage level
 Z = High-impedance "off" state

ABSOLUTE MAXIMUM RATINGS^{1, 2}

| SYMBOL | PARAMETER | CONDITIONS | RATING | UNIT |
|------------------|--------------------------------|-----------------------------|--------------|------|
| V _{CC} | DC supply voltage | | -0.5 to +7.0 | V |
| I _{IK} | DC input diode current | V _I < 0 V | -18 | mA |
| V _I | DC input voltage ³ | | -1.2 to +7.0 | V |
| I _{OK} | DC output diode current | V _O < 0 V | -50 | mA |
| V _{OUT} | DC output voltage ³ | output in Off or HIGH state | -0.5 to +7 | V |
| I _{OUT} | DC output current | output in LOW state | 128 | mA |
| T _{stg} | Storage temperature range | | -65 to 150 | °C |

NOTES:

- Stresses beyond those listed may cause permanent damage to the device. These are stress ratings only and functional operation of the device at these or any other conditions beyond those indicated under "recommended operating conditions" is not implied. Exposure to absolute-maximum-rated conditions for extended periods may affect device reliability.
- The performance capability of a high-performance integrated circuit in conjunction with its thermal environment can create junction temperatures which are detrimental to reliability. The maximum junction temperature of this integrated circuit should not exceed 150°C.
- The input and output voltage ratings may be exceeded if the input and output current ratings are observed.

RECOMMENDED OPERATING CONDITIONS

| SYMBOL | PARAMETER | LIMITS | | UNIT |
|------------------|--------------------------------------|--------|-----|------|
| | | Min | Max | |
| V _{CC} | DC supply voltage | 4.5 | 5.5 | V |
| V _{IH} | HIGH-level input voltage | 2.0 | — | V |
| V _{IL} | LOW-level Input voltage | — | 0.8 | V |
| T _{amb} | Operating free-air temperature range | -40 | +85 | °C |

Octal bus switch with quad output enables

CBT3244A

DC ELECTRICAL CHARACTERISTICS

| SYMBOL | PARAMETER | TEST CONDITIONS | LIMITS | | | UNIT |
|-----------------|--|---|--|------------------|---------|---------------|
| | | | $T_{amb} = -40\text{ }^{\circ}\text{C to }+85\text{ }^{\circ}\text{C}$ | | | |
| | | | Min | Typ ¹ | Max | |
| V_{IK} | Input clamp voltage | $V_{CC} = 4.5\text{ V}; I_I = -18\text{ mA}$ | — | — | -1.2 | V |
| I_I | Input leakage current | $V_{CC} = 5.5\text{ V}; V_I = \text{GND or }5.5\text{ V}$ | — | — | ± 1 | μA |
| I_{CC} | Quiescent supply current | $V_{CC} = 5.5\text{ V}; I_O = 0, V_I = V_{CC}\text{ or GND}$ | — | 1 | 3 | μA |
| ΔI_{CC} | Additional supply current per input pin ² | $V_{CC} = 5.5\text{ V}$, one input at 3.4 V, other inputs at V_{CC} or GND | — | — | 2.5 | mA |
| C_I | Control pins input capacitance | $V_I = 3\text{ V or }0\text{ V}, \overline{OE} = V_{CC}$ | — | 3 | — | pF |
| $C_{IO(OFF)}$ | Input/output capacitance | $\overline{OE} = V_{CC} = 5.0\text{ V}$ | — | 3 | — | pF |
| r_{on}^3 | On-resistance | $V_{CC} = 4.5\text{ V}; V_I = 0\text{ V}; I_I = 64\text{ mA}$ | — | 4 | 7 | Ω |
| | | $V_{CC} = 4.5\text{ V}; V_I = 0\text{ V}; I_I = 30\text{ mA}$ | — | 4 | 7 | |
| | | $V_{CC} = 4.5\text{ V}; V_I = 2.4\text{ V}; I_I = 15\text{ mA}$ | — | 8 | 15 | |

NOTES:

- All typical values are at $V_{CC} = 5\text{ V}, T_{amb} = 25\text{ }^{\circ}\text{C}$
- This is the increase in supply current for each input that is at the specified TTL voltage level rather than V_{CC} or GND.
- Measured by the voltage drop between the A and the B terminals at the indicated current through the switch.
On-state resistance is determined by the lowest voltage of the two (A or B) terminals.

AC CHARACTERISTICS

GND = 0 V; $t_R; C_L = 50\text{ pF}$

| SYMBOL | PARAMETER | FROM (INPUT) | TO (OUTPUT) | LIMITS | | UNIT |
|-----------|---|--------------|-------------|---|-----|------|
| | | | | $T_{amb} = -40\text{ }^{\circ}\text{C to }+85\text{ }^{\circ}\text{C}$ $V_{CC} = +5.0\text{ V} \pm 0.5\text{ V}$ | | |
| | | | | Min | Max | |
| t_{pd} | Propagation delay ¹ | A or B | B or A | — | .25 | ns |
| t_{en} | Output enable time to HIGH and LOW level | OE | A or B | 1.0 | 5.6 | ns |
| t_{dis} | Output disable time from HIGH and LOW level | OE | A or B | 1.0 | 6.0 | ns |

NOTE:

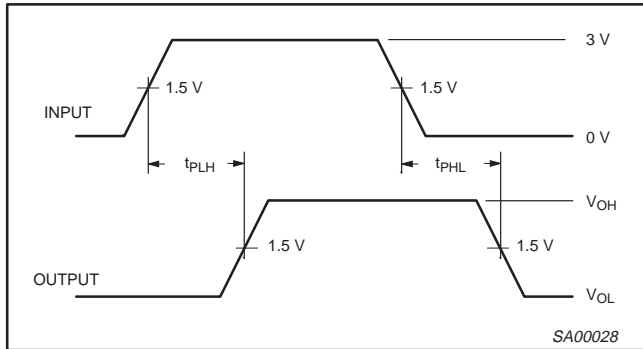
- This parameter is warranted but not production tested. The propagation delay is based on the RC time constant of the typical on-state resistance of the switch and a load capacitance of 50 pF, when driven by an ideal voltage source (zero output impedance).

Octal bus switch with quad output enables

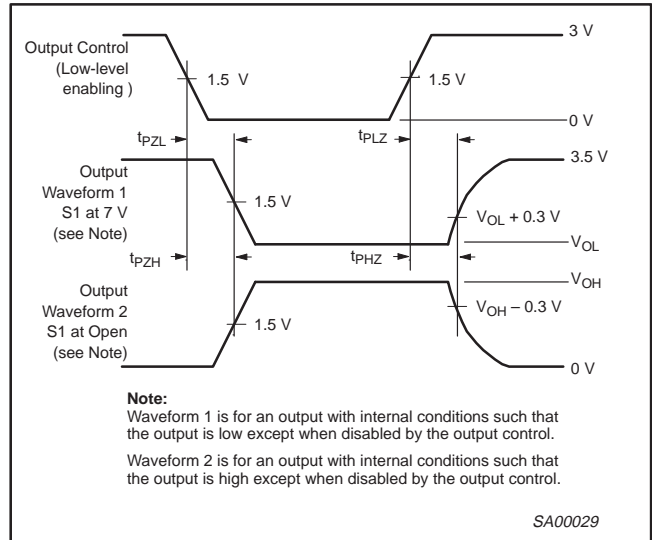
CBT3244A

AC WAVEFORMS

$V_M = 1.5\text{ V}$, $V_{IN} = \text{GND to } 3.0\text{ V}$



Waveform 1. Input to Output Propagation Delays

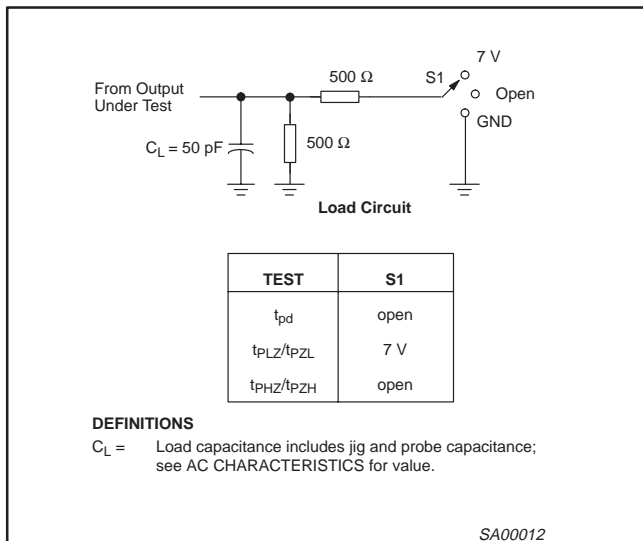


Note:
Waveform 1 is for an output with internal conditions such that the output is low except when disabled by the output control.
Waveform 2 is for an output with internal conditions such that the output is high except when disabled by the output control.

SA00029

Waveform 2. 3-State Output Enable and Disable Times

TEST CIRCUIT AND WAVEFORMS



NOTES:

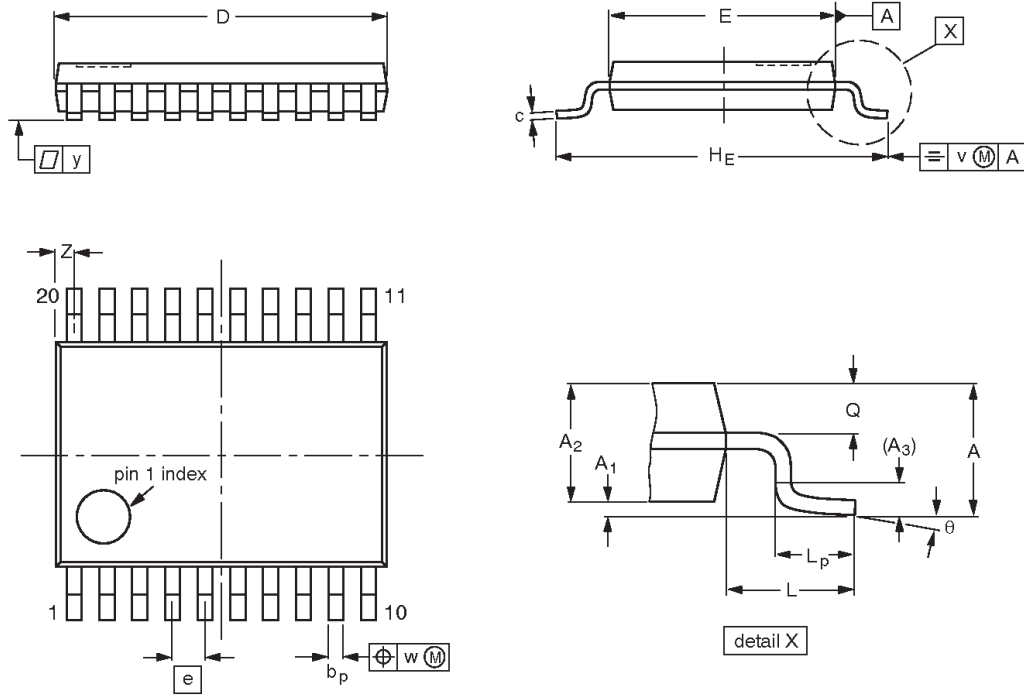
- All input pulses are supplied by generators having the following characteristics: $PRR \leq 10\text{ MHz}$, $Z_O = 50\ \Omega$, $t_r \leq 2.5\text{ ns}$, $t_f \leq 2.5\text{ ns}$.
- The outputs are measured one at a time with one transition per measurement.

Octal bus switch with quad output enables

CBT3244A

TSSOP20: plastic thin shrink small outline package; 20 leads; body width 4.4 mm

SOT360-1



DIMENSIONS (mm are the original dimensions)

| UNIT | A max. | A ₁ | A ₂ | A ₃ | b _p | c | D ⁽¹⁾ | E ⁽²⁾ | e | H _E | L | L _p | Q | v | w | y | Z ⁽¹⁾ | θ |
|------|--------|----------------|----------------|----------------|----------------|------------|------------------|------------------|------|----------------|---|----------------|------------|-----|------|-----|------------------|----------|
| mm | 1.1 | 0.15 0.05 | 0.95 0.80 | 0.25 | 0.30 0.19 | 0.2 0.1 | 6.6 6.4 | 4.5 4.3 | 0.65 | 6.6 6.2 | 1 | 0.75 0.50 | 0.4 0.3 | 0.2 | 0.13 | 0.1 | 0.5 0.2 | 8° 0° |

Notes

1. Plastic or metal protrusions of 0.15 mm maximum per side are not included.
2. Plastic interlead protrusions of 0.25 mm maximum per side are not included.

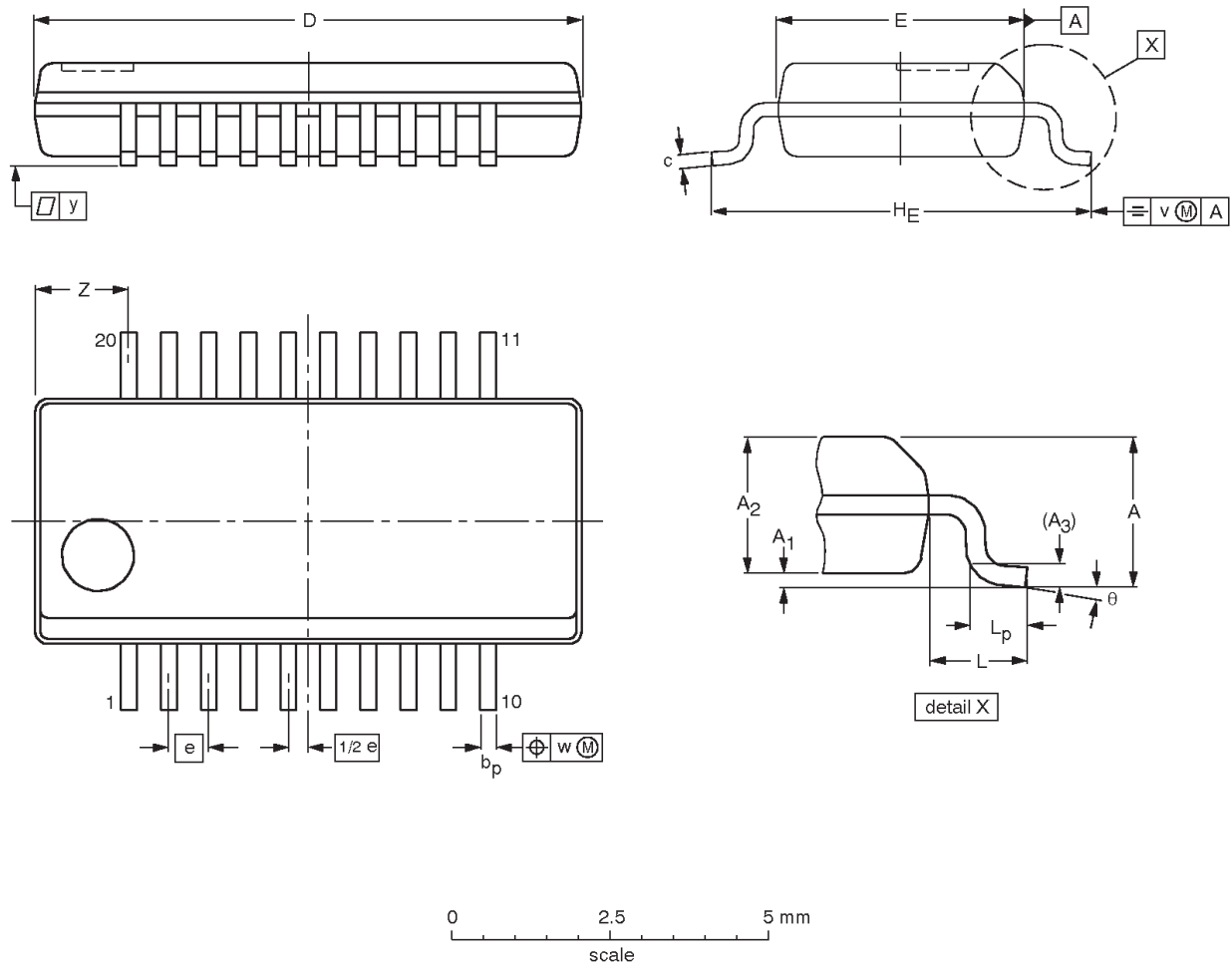
| OUTLINE VERSION | REFERENCES | | | | EUROPEAN PROJECTION | ISSUE DATE |
|-----------------|------------|--------|-------|--|---------------------|-----------------------|
| | IEC | JEDEC | JEITA | | | |
| SOT360-1 | | MO-153 | | | | -99-12-27 03-02-19 |

Octal bus switch with quad output enables

CBT3244A

SSOP20: plastic shrink small outline package; 20 leads;
body width 3.9 mm; lead pitch 0.635 mm

SOT724-1



DIMENSIONS (millimetre dimensions are derived from the original inch dimensions)

| UNIT | A max. | A ₁ | A ₂ | A ₃ | b _p | c | D ⁽¹⁾ | E ⁽¹⁾ | e | HE | L | L _p | v | w | y | Z ⁽¹⁾ | θ |
|------|--------|----------------|----------------|----------------|----------------|--------------|------------------|------------------|-------|------------|---|----------------|------|------|-----|------------------|----------|
| mm | 1.73 | 0.25 0.10 | 1.55 1.40 | 0.25 | 0.31 0.20 | 0.25 0.18 | 8.8 8.6 | 4.0 3.8 | 0.635 | 6.2 5.8 | 1 | 0.89 0.41 | 0.25 | 0.18 | 0.1 | 1.67 1.28 | 8° 0° |

Note

1. Plastic or metal protrusions of 0.2 mm maximum per side are not included.

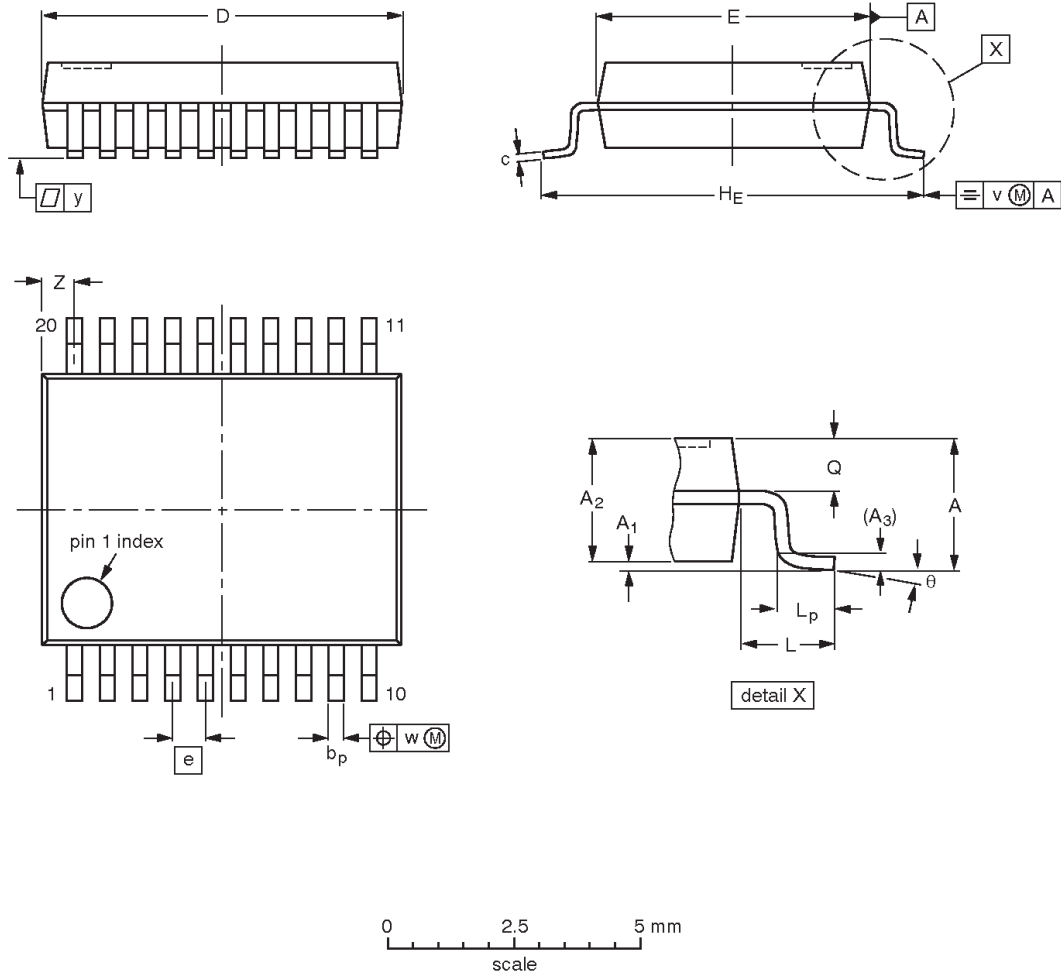
| OUTLINE VERSION | REFERENCES | | | | EUROPEAN PROJECTION | ISSUE DATE |
|-----------------|------------|--------|-------|--|---------------------|----------------------|
| | IEC | JEDEC | JEITA | | | |
| SOT724-1 | | MO-137 | | | | 01-07-04 03-02-18 |

Octal bus switch with quad output enables

CBT3244A

SSOP20: plastic shrink small outline package; 20 leads; body width 5.3 mm

SOT339-1



DIMENSIONS (mm are the original dimensions)

| UNIT | A max. | A ₁ | A ₂ | A ₃ | b _p | c | D ⁽¹⁾ | E ⁽¹⁾ | e | H _E | L | L _p | Q | v | w | y | Z ⁽¹⁾ | θ |
|------|--------|----------------|----------------|----------------|----------------|--------------|------------------|------------------|------|----------------|------|----------------|------------|-----|------|-----|------------------|----------|
| mm | 2 | 0.21 0.05 | 1.80 1.65 | 0.25 | 0.38 0.25 | 0.20 0.09 | 7.4 7.0 | 5.4 5.2 | 0.65 | 7.9 7.6 | 1.25 | 1.03 0.63 | 0.9 0.7 | 0.2 | 0.13 | 0.1 | 0.9 0.5 | 8° 0° |

Note

1. Plastic or metal protrusions of 0.2 mm maximum per side are not included.

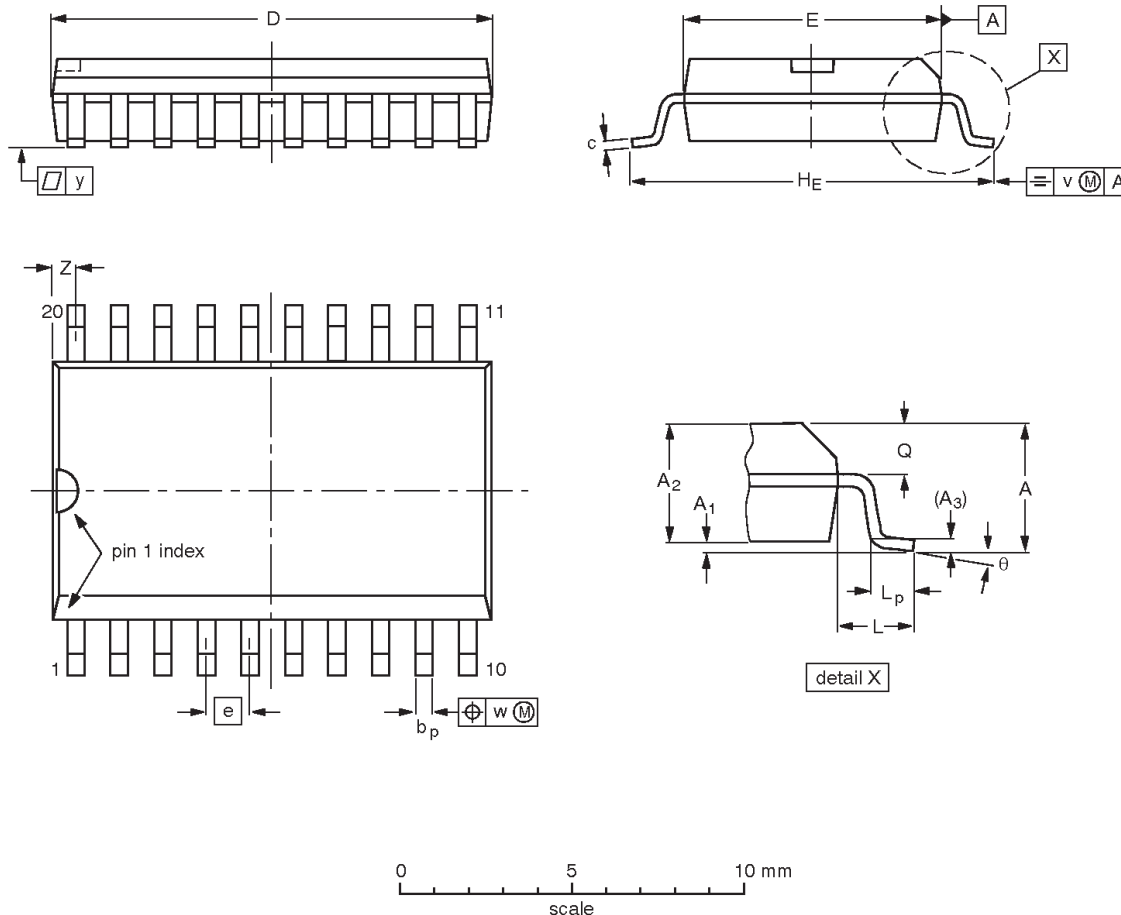
| OUTLINE VERSION | REFERENCES | | | | EUROPEAN PROJECTION | ISSUE DATE |
|-----------------|------------|--------|-------|--|---------------------|----------------------|
| | IEC | JEDEC | JEITA | | | |
| SOT339-1 | | MO-150 | | | | 99-12-27 03-02-19 |

Octal bus switch with quad output enables

CBT3244A

SO20: plastic small outline package; 20 leads; body width 7.5 mm

SOT163-1



DIMENSIONS (inch dimensions are derived from the original mm dimensions)

| UNIT | A max. | A ₁ | A ₂ | A ₃ | b _p | c | D ⁽¹⁾ | E ⁽¹⁾ | e | H _E | L | L _p | Q | v | w | y | Z ⁽¹⁾ | θ |
|--------|--------|----------------|----------------|----------------|----------------|----------------|------------------|------------------|------|----------------|-------|----------------|----------------|------|------|-------|------------------|----------|
| mm | 2.65 | 0.3 0.1 | 2.45 2.25 | 0.25 | 0.49 0.36 | 0.32 0.23 | 13.0 12.6 | 7.6 7.4 | 1.27 | 10.65 10.00 | 1.4 | 1.1 0.4 | 1.1 1.0 | 0.25 | 0.25 | 0.1 | 0.9 0.4 | 8° 0° |
| inches | 0.1 | 0.012 0.004 | 0.096 0.089 | 0.01 | 0.019 0.014 | 0.013 0.009 | 0.51 0.49 | 0.30 0.29 | 0.05 | 0.419 0.394 | 0.055 | 0.043 0.016 | 0.043 0.039 | 0.01 | 0.01 | 0.004 | 0.035 0.016 | |

Note

1. Plastic or metal protrusions of 0.15 mm (0.006 inch) maximum per side are not included.

| OUTLINE VERSION | REFERENCES | | | | EUROPEAN PROJECTION | ISSUE DATE |
|-----------------|------------|--------|-------|--|---------------------|-----------------------|
| | IEC | JEDEC | JEITA | | | |
| SOT163-1 | 075E04 | MS-013 | | | | -99-12-27 03-02-19 |

Octal bus switch with quad output enables

CBT3244A

REVISION HISTORY

| Rev | Date | Description |
|-----|----------|-------------------------------------|
| _1 | 20040526 | Product data sheet (9397 750 13281) |

Data sheet status

| Level | Data sheet status ^[1] | Product status ^{[2] [3]} | Definitions |
|-------|----------------------------------|-----------------------------------|--|
| I | Objective data | Development | This data sheet contains data from the objective specification for product development. Philips Semiconductors reserves the right to change the specification in any manner without notice. |
| II | Preliminary data | Qualification | This data sheet contains data from the preliminary specification. Supplementary data will be published at a later date. Philips Semiconductors reserves the right to change the specification without notice, in order to improve the design and supply the best possible product. |
| III | Product data | Production | This data sheet contains data from the product specification. Philips Semiconductors reserves the right to make changes at any time in order to improve the design, manufacturing and supply. Relevant changes will be communicated via a Customer Product/Process Change Notification (CPCN). |

[1] Please consult the most recently issued data sheet before initiating or completing a design.

[2] The product status of the device(s) described in this data sheet may have changed since this data sheet was published. The latest information is available on the Internet at URL <http://www.semiconductors.philips.com>.

[3] For data sheets describing multiple type numbers, the highest-level product status determines the data sheet status.

Definitions

Short-form specification — The data in a short-form specification is extracted from a full data sheet with the same type number and title. For detailed information see the relevant data sheet or data handbook.

Limiting values definition — Limiting values given are in accordance with the Absolute Maximum Rating System (IEC 60134). Stress above one or more of the limiting values may cause permanent damage to the device. These are stress ratings only and operation of the device at these or at any other conditions above those given in the Characteristics sections of the specification is not implied. Exposure to limiting values for extended periods may affect device reliability.

Application information — Applications that are described herein for any of these products are for illustrative purposes only. Philips Semiconductors make no representation or warranty that such applications will be suitable for the specified use without further testing or modification.

Disclaimers

Life support — These products are not designed for use in life support appliances, devices, or systems where malfunction of these products can reasonably be expected to result in personal injury. Philips Semiconductors customers using or selling these products for use in such applications do so at their own risk and agree to fully indemnify Philips Semiconductors for any damages resulting from such application.

Right to make changes — Philips Semiconductors reserves the right to make changes in the products—including circuits, standard cells, and/or software—described or contained herein in order to improve design and/or performance. When the product is in full production (status 'Production'), relevant changes will be communicated via a Customer Product/Process Change Notification (CPCN). Philips Semiconductors assumes no responsibility or liability for the use of any of these products, conveys no license or title under any patent, copyright, or mask work right to these products, and makes no representations or warranties that these products are free from patent, copyright, or mask work right infringement, unless otherwise specified.

Contact information

For additional information please visit
<http://www.semiconductors.philips.com>. Fax: +31 40 27 24825

© Koninklijke Philips Electronics N.V. 2004
 All rights reserved. Printed in U.S.A.

Date of release: 05-04

For sales offices addresses send e-mail to:
sales.addresses@www.semiconductors.philips.com

Document order number: 9397 750 13281

Let's make things better.