

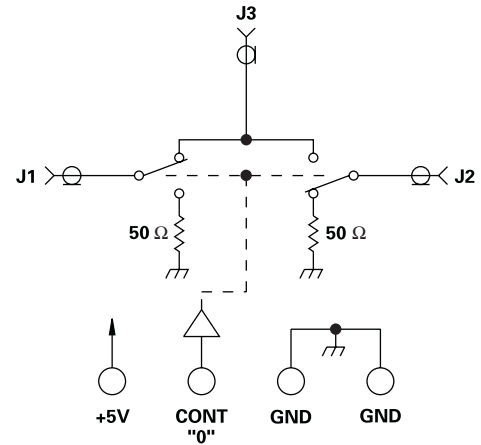
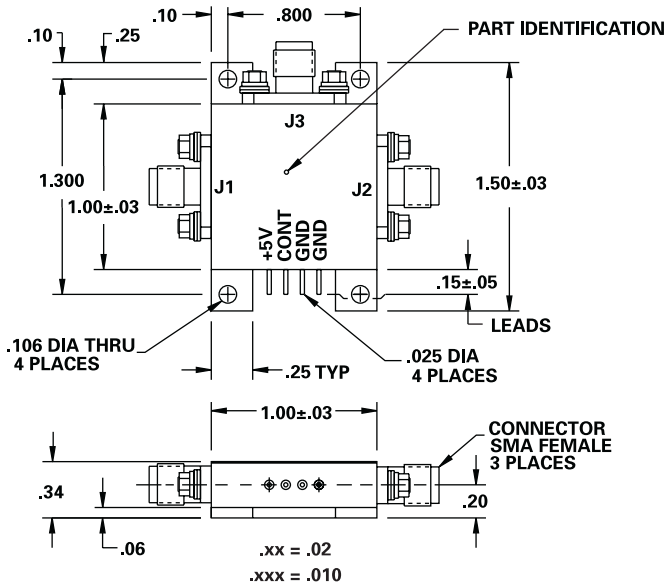
**MODEL NUMBER
CDS0622**

PIN Diode SP2T

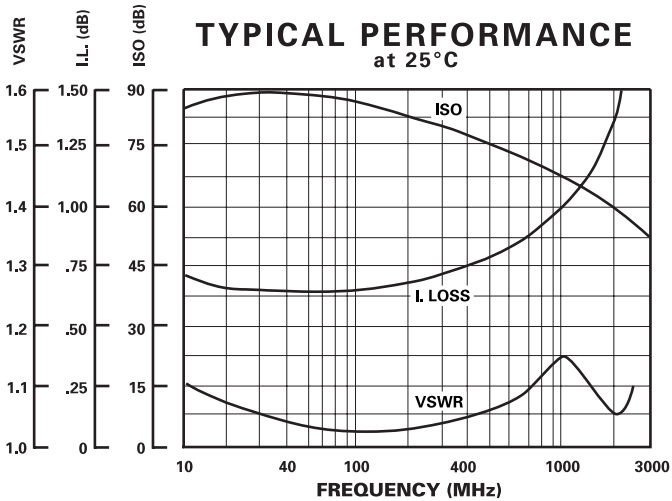
FEATURES

- 20-2000 MHz
- 70 dB Isolation up to 1 GHz
- TTL Driver
- Non-Reflective
- Replaceable SMA Connectors

SP2T



GUARANTEED PERFORMANCE



Parameter	Min	Typ	Max	Units	Conditions
Operating Frequency	20		2000	MHz	
DC Current		8.5	12	mA	At +5 VDC Supply
Control Type		TTL			1 Line Logic "0" = J3 - J1 Logic "1" = J3 - J2
Control Current		0	±10	µA	VIH = +2.7V VIL = +0.5V
Insertion Loss		.74	1.0	dB	20 - 100 MHz
		.90	1.25	dB	100 - 1000 MHz
		1.30	2.0	dB	1000 - 2000 MHz
Isolation	75	85		dB	20 - 100 MHz
	60	75		dB	100 - 1000 MHz
	50	60		dB	1000 - 2000 MHz
VSWR		1.15/1	1.3/1		
Impedance		50		OHMS	
Switching Speed		1.5	3	µSEC	50% TTL to 90% / 10% RF
Transition (Rise/Fall) Time		0.3		µSEC	90% / 10% or 10% / 90% RF
Switching (Video) Transients		700		mV	Peak Value
Intercept Points	2nd	+69		dBm	50 MHz / 70 MHz
	3rd	+37		dBm	50 MHz / 35 MHz
RF Power	Operate	+14	+10	dBm	20 - 100 MHz
		+21	+17	dBm	100 - 2000 MHz
	No Damage		+27	dBm	
Operating Temperature	-55	+25	+125	°C	TA