

FEATURES

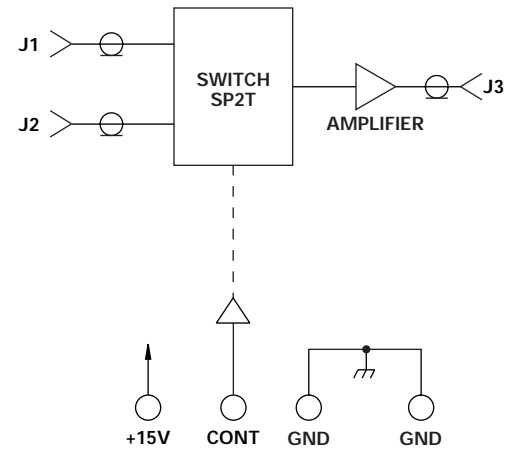
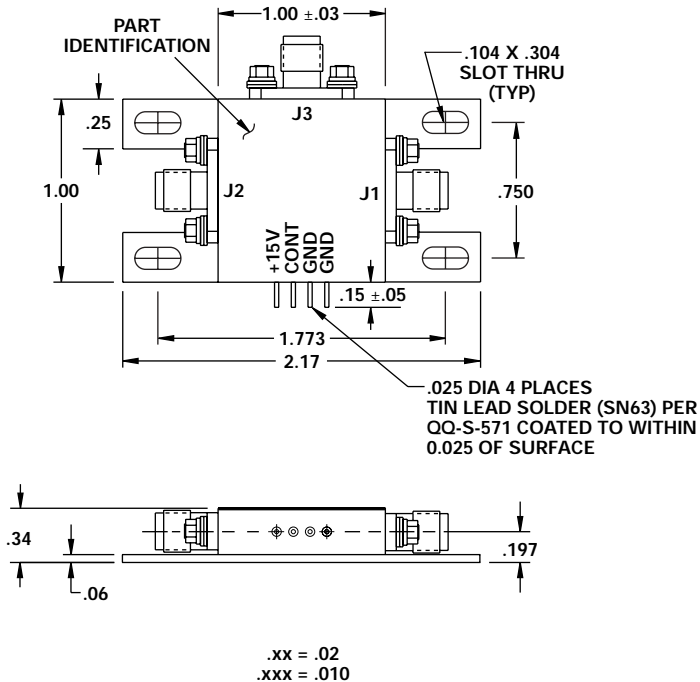
- 1550 - 1850 MHz
- 4 dB Gain
- Non-Reflective
- TTL Driver
- Replaceable SMA Connectors



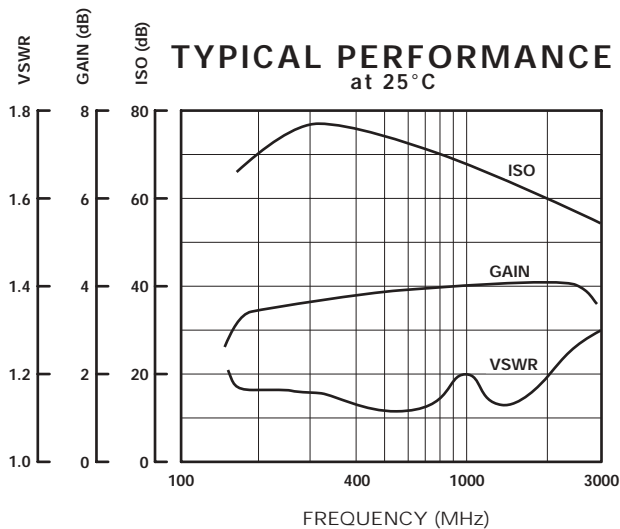
MODEL NO.
CDS0892

Connectorized SP2T w/Amp

HDI



GUARANTEED PERFORMANCE



Parameter	Min	Typ	Max	Units	Conditions
Operating Frequency	1550		1850	MHz	
DC Current		71	100	mA	At +15 VDC Supply
Control Type		TTL			1 Line Logic "0" = J2 - J3 Logic "1" = J1 - J3
Control Current	High Low	0 -0.5	60 -1.6	µA mA	V _{IH} = +2.7 V V _{IL} = +0.5 V
Insertion Gain		3 ±0.1 8.2	4 ±0.5 10	dB	Flatness Noise Figure
Isolation		45	59	dB	
VSWR	Thru Termination	1.17/1 1.12/1	1.5/1 1.5/1		
Impedance		50		OHMS	
Switching Speed		0.6	1	µSec	50% TTL to 90% / 10% RF
Transition (Rise/Fall) Time		340	700	nSec	90% / 10% or 10% / 90% RF
Switching (Video) Transients		1.3		V	Peak Value
Intercept Points	2nd 3rd	+47 +31		dBm	350 / 150 MHz 175 / 200 MHz
RF Power	Operate No Damage	+2	-1 +5	dBm	0.1 dB Input Compression
Operating Temperature	-55	+25	+100	°C	TA