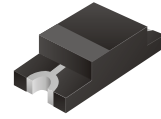


CDSN4148

High Speed

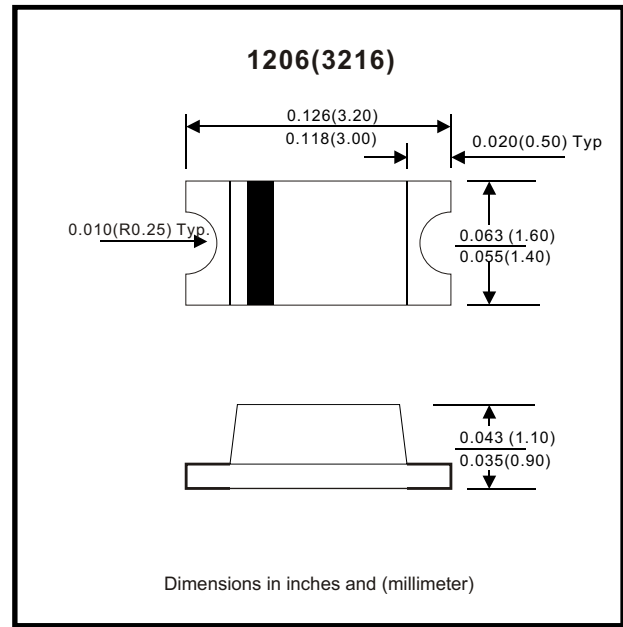


Features

- Designed for mounting on small surface.
- High speed switching.
- High mounting capability, strong surge withstand, high reliability.

Mechanical data

- Case: 1206(3216) standard package, molded plastic.
- Terminals: Solder plated, solderable per MIL-STD-750, method 2026.
- Polarity: Indicated by cathode band.
- Mounting position: Any.
- Weight: 0.0085 gram. (approximately)



Maximum Rating (at TA = 25°C unless otherwise noted)

Parameter	Conditions	Symbol	Min	Typ	Max	Unit
Repetitive peak reverse voltage		VRRM			100	V
Reverse voltage		VR			75	V
Average forward current		Io			150	mA
Forward current , surge peak	Tp = 1us Tp = 1s	IFSM		4 1		A
Power Dissipation		PD			350	mW
Storage temperature		TSTG	-55		+175	°C
Junction temperature		Tj	-55		+175	°C

Electrical Characteristics (at TA = 25°C unless otherwise noted)

Parameter	Conditions	Symbol	Min	Typ	Max	Unit
Forward voltage	IF = 50 mADC	VF			1.0	V
Reverse current	VR = 20 V VR = 75 V	IR			25 2.5	nA uA
Capacitance between terminals	f = 1MHz, and 0 VDC reverse voltage	CT			3	pF
Reverse recovery time	VR = 6V, IF = 10 mA, RL = 50 ohms	Trr			4	nS

RATING AND CHARACTERISTIC CURVES (CDSN4148)

Fig. 1 - Forward characteristics

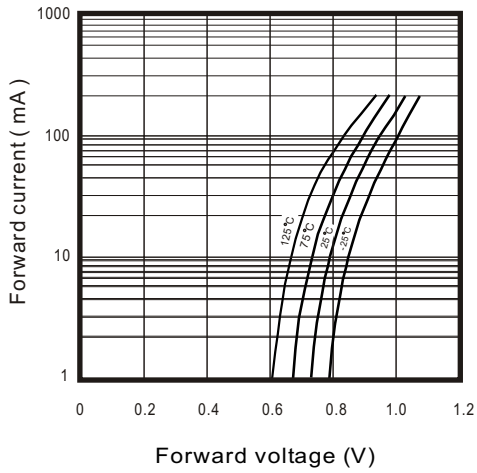


Fig. 2 - Reverse characteristics

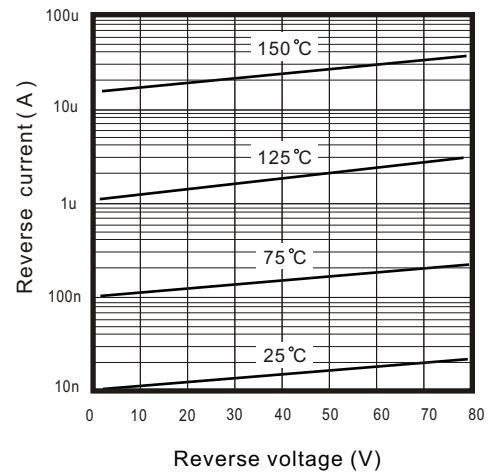


Fig. 3 - Capacitance between terminals characteristics

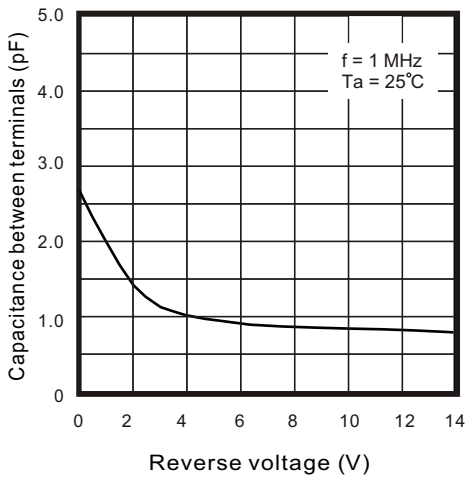


Fig. 4 - Current derating curve

