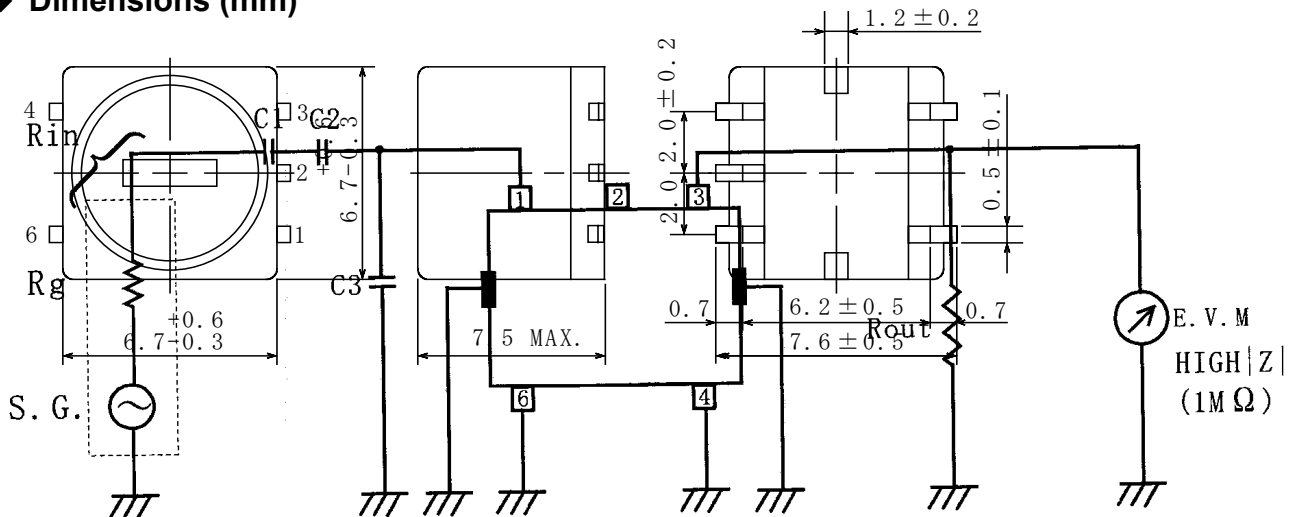


**Type: CFB-6**
**◆ Product Description**

- 7.3×7.3mm Max.(L×W), 7.5mm Max. Height.
- Operating frequency:10~500kHz
- In addition to the reference versions of parameters shown here, custom designs are available to meet your exact requirements.

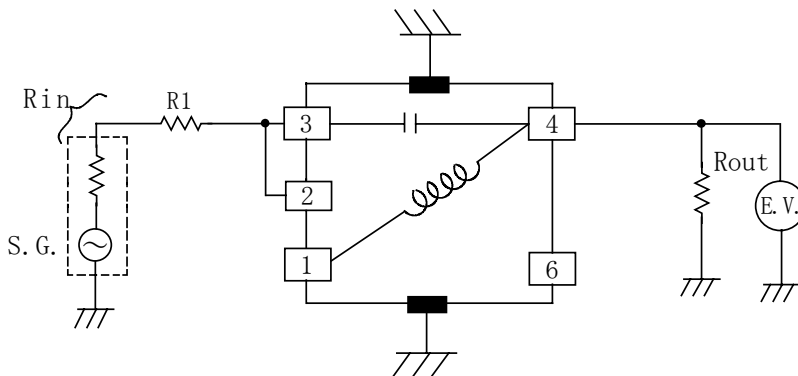

**◆ Feature**

- Variable shielded type with two built-in capacitors.
- Ideally used in VCR, Video Cameras as Audio LC filters(LPF, BPF, HPF, Delay Line and Equalizers).
- Superior temperature and humidity characteristics.
- RoHS Compliance

**◆ Dimensions (mm)**


$$R_{in} = R_g = 50 \Omega \quad R_{out} = 6.8k \Omega$$

$$C_1 = 3300pF \pm 2\% \quad C_2 = 3300pF \pm 2\% \quad C_3 = 10000pF \pm 2\%$$



$$R_{in} = R_g + R_1 = 600 \Omega$$

$$R_{out} = 600 \Omega$$

**Type: CFB-6**
**◆ Specification (Part No: 4561-T046)**

Item	Specification
Input impedance (Rin)	600Ω
Output impedance (Rout)	600Ω
Attenuation 32.77kHz	22dB Min.

**Frequency Response (Attenuation 0dB at 1KHz)**
