

CMDD6263
SUPERmini™
HIGH VOLTAGE
SCHOTTKY DIODE

SUPERmini™



SOD-323 CASE

Central™
Semiconductor Corp.

FEATURES:

- HIGH VOLTAGE (70V)
- LOW FORWARD VOLTAGE
- PART OF CENTRAL'S SPACE SAVING SUPERmini™ SURFACE MOUNT PACKAGE FAMILY

DESCRIPTION:

The CENTRAL SEMICONDUCTOR CMDD6263 is a High Voltage, low V_F , Silicon Schottky diode in a SUPERmini™ surface mount package, designed for fast switching applications requiring low forward voltage drop. **Marking code is D63**

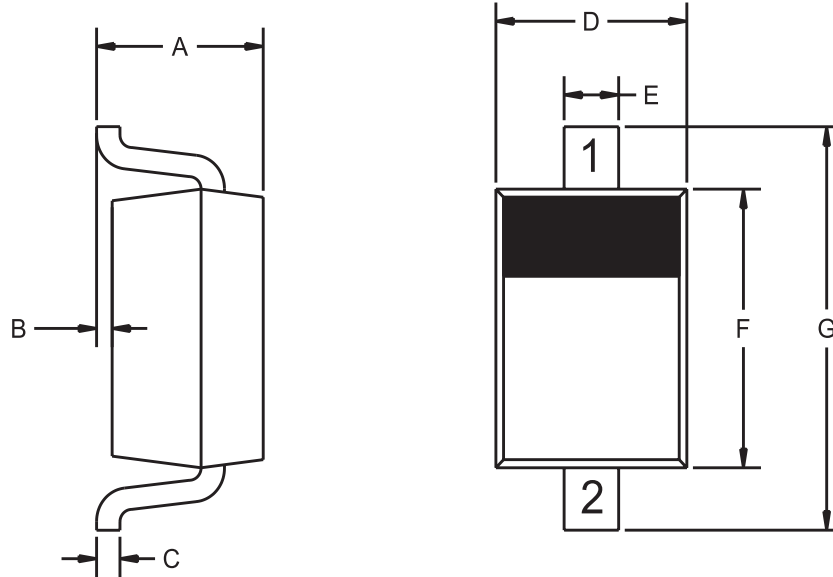
MAXIMUM RATINGS: ($T_A=25^\circ\text{C}$)

	<u>SYMBOL</u>		<u>UNITS</u>
Peak Repetitive Reverse Voltage	V_{RRM}	70	V
Continuous Forward Current	I_F	15	mA
Forward Surge Current, $t_p=1.0$ s	I_{FSM}	50	mA
Power Dissipation	P_D	250	mW
Operating and Storage			
Junction Temperature	T_J, T_{stg}	-65 to +150	$^\circ\text{C}$
Thermal Resistance	Θ_{JA}	500	$^\circ\text{C}/\text{W}$

ELECTRICAL CHARACTERISTICS: ($T_A=25^\circ\text{C}$)

<u>SYMBOL</u>	<u>TEST CONDITIONS</u>	<u>MIN</u>	<u>TYP</u>	<u>MAX</u>	<u>UNITS</u>
I_R	$V_R=50\text{V}$		98	200	nA
BV_R	$I_R=10\mu\text{A}$	70			V
V_F	$I_F=1.0\text{mA}$		395	410	mV
C_T	$V_R=0\text{V}, f=1.0\text{MHz}$			2.0	pF
t_{rr}	$I_R=I_F=10\text{mA}, I_{rr}=1.0\text{mA}, R_L=100\Omega$			5.0	ns

SOD-323 CASE - MECHANICAL OUTLINE



R2

MARKING CODE: D63

LEAD CODE:

- 1) Cathode
- 2) Anode

SYMBOL	INCHES		MILLIMETERS	
	MIN	MAX	MIN	MAX
A	0.031	0.039	0.80	1.00
B	--	0.004	--	0.10
C	0.002	0.010	0.05	0.25
D	0.045	0.053	1.15	1.35
E	0.010	0.014	0.25	0.35
F	0.063	0.071	1.60	1.80
G	0.096	0.108	2.45	2.75

SOD-323 (REV: R2)