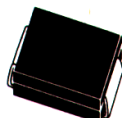




CMR2-02
 CMR2-04
 CMR2-06
 CMR2-10

**GENERAL PURPOSE RECTIFIER
 2.0 AMP, 200 THRU 1,000 VOLTS**



SMB CASE

CentralTM Semiconductor Corp.

FEATURES:

- LOW COST
- SPECIAL SELECTIONS AVAILABLE
- HIGH RELIABILITY
- SUPERIOR LOT TO LOT CONSISTENCY
- GLASS PASSIVATED CHIP
- "C" BEND CONSTRUCTION PROVIDES STRAIN RELIEF WHEN MOUNTED ON PC BOARD

DESCRIPTION:

The CENTRAL SEMICONDUCTOR 2.0 Amp Surface Mount Silicon Rectifier is a high quality, well constructed, highly reliable component designed for use in all types of commercial, industrial, entertainment, computer, and automotive applications. To order devices on 12mm Tape and Reel (3000/13" Reel), add TR13 suffix to part number.

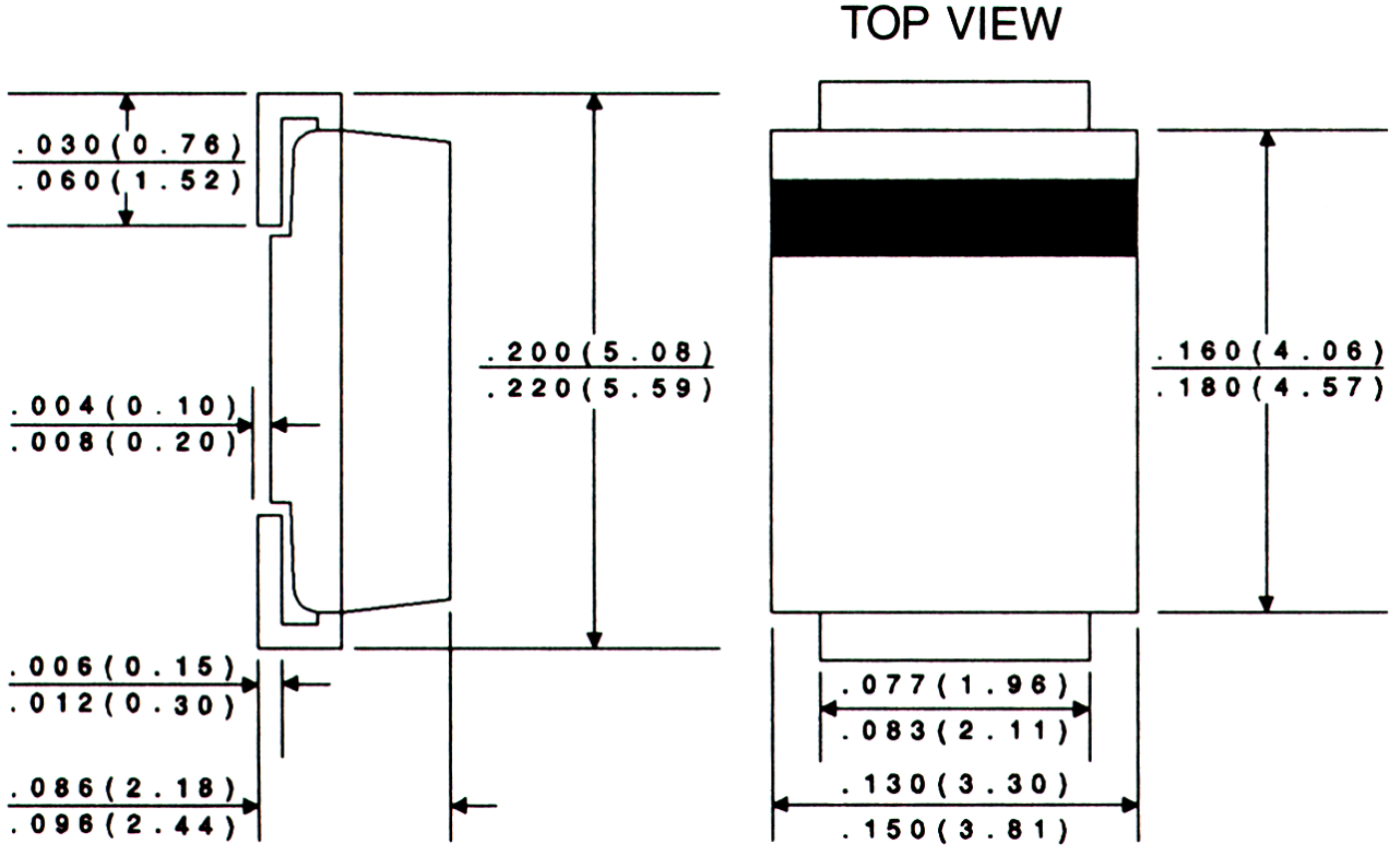
MAXIMUM RATINGS: ($T_A=25^{\circ}\text{C}$ unless otherwise noted)

| | SYMBOL | CMR2-02 | CMR2-04 | CMR2-06 | CMR2-10 | UNITS |
|--|----------------|---------|-------------|---------|---------|----------------------|
| Peak Repetitive Reverse Voltage | V_{RRM} | 200 | 400 | 600 | 1000 | V |
| DC Blocking Voltage | V_R | 200 | 400 | 600 | 1000 | V |
| RMS Reverse Voltage | $V_{R(RMS)}$ | 140 | 280 | 420 | 700 | V |
| Average Forward Current ($T_A=50^{\circ}\text{C}$) | I_O | | 2.0 | | | A |
| Peak Forward Surge Current (8.3ms) | I_{FSM} | | 60 | | | A |
| Operating and Storage | | | | | | |
| Junction Temperature | T_J, T_{stg} | | -65 to +150 | | | $^{\circ}\text{C}$ |
| Thermal Resistance | Θ_{JL} | | 20 | | | $^{\circ}\text{C/W}$ |

ELECTRICAL CHARACTERISTICS: ($T_A=25^{\circ}\text{C}$ unless otherwise noted)

| SYMBOL | TEST CONDITIONS | MIN | TYP | MAX | UNITS |
|----------|---|-----|-----|-----|---------------|
| V_F | $I_F=2.0\text{A}$ | | | 1.1 | V |
| I_R | $V_R=\text{Rated } V_{RRM}$ | | | 0.5 | μA |
| I_R | $V_R=\text{Rated } V_{RRM}, T_A=125^{\circ}\text{C}$ | | | 125 | μA |
| t_{rr} | $I_F=0.5\text{A}, I_R=1.0\text{A}, \text{Recover to } 0.25\text{A}$ | | | 2.5 | μs |
| C_J | $V_R=4.0\text{V}, f=1.0\text{MHz}$ | | 30 | | pF |

All dimensions in inches (mm).



Marking Codes:

| DEVICE | MARKING CODE |
|---------|--------------|
| CMR2-02 | C202 |
| CMR2-04 | C204 |
| CMR2-06 | C206 |
| CMR2-10 | C210 |