

CNZ2253

Reflective Photosensor

Overview

CNZ2253 is a photosensor detecting the change of reflective light in which a high efficiency GaAs infrared light emitting diode is used as the light emitting element, and a high sensitivity Si Darlington phototransistor is used as the light detecting element. The two elements are located parallel in the same direction and objects are detected when passing in front of the device.

Features

- High sensitivity
- Small size and light weight

Applications

- Detection of paper, film and cloth
- Optical mark reading
- Detection of position and edge
- Detection of coin and bill
- Start, end mark detection of magnetic tape

Absolute Maximum Ratings (Ta = 25°C)

	Parameter	Symbol	Rated	Unit
Input (Light emitting diode)	Reverse voltage (DC)	V_R	3	V
	Forward current (DC)	I_F	50	mA
	Power dissipation	P_D^{*1}	75	mW
Output (Photo transistor)	Collector to emitter voltage	V_{CEO}	20	V
	Emitter to collector voltage	V_{ECO}	5	V
	Collector current	I_C	30	mA
	Collector power dissipation	P_C^{*2}	100	mW
Temperature	Operating ambient temperature	T_{opr}	-25 to +85	°C
	Storage temperature	T_{stg}	-30 to +100	°C

Electrical Characteristics (Ta = 25°C)

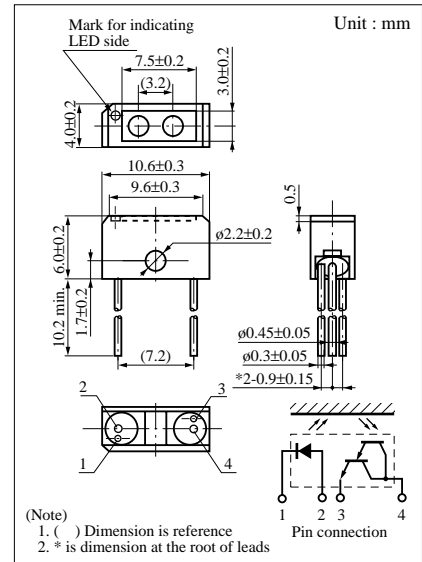
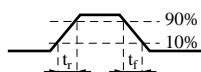
	Parameter	Symbol	Conditions	min	typ	max	Unit
Input characteristics	Forward voltage (DC)	V_F	$I_F = 50\text{mA}$		1.2	1.5	V
	Reverse current (DC)	I_R	$V_R = 3\text{V}$			10	μA
	Capacitance between terminals	C_t	$V_R = 0\text{V}, f = 1\text{MHz}$		50		pF
Output characteristics	Collector cutoff current	I_{CEO}	$V_{CE} = 10\text{V}$			0.5	μA
Transfer characteristics	Collector current	I_C^{*1*2}	$V_{CC} = 5\text{V}, I_F = 10\text{mA}, R_L = 100\Omega$	3		30	mA
	Response time	t_r^{*3}, t_f^{*4}	$V_{CC} = 10\text{V}, I_C = 1\text{mA}, R_L = 100\Omega$		150		μs
	Collector to emitter saturation voltage	$V_{CE(sat)}$	$I_F = 50\text{mA}, I_C = 1\text{mA}$			1.5	V

*1 I_C classifications

Class	Q	R	S
I_C (mA)	3 to 9	6 to 18	12 to 30

*3 Time required for the collector current to increase from 10% to 90% of its final value.

*4 Time required for the collector current to decrease from 90% to 10% of its initial value.



*1 Input power derating ratio is 1.0 mW/°C at Ta ≥ 25°C.

*2 Output power derating ratio is 1.34 mW/°C at Ta ≥ 25°C.

*1 Transfer characteristics measurement circuit (Ambient light is shut off completely)

