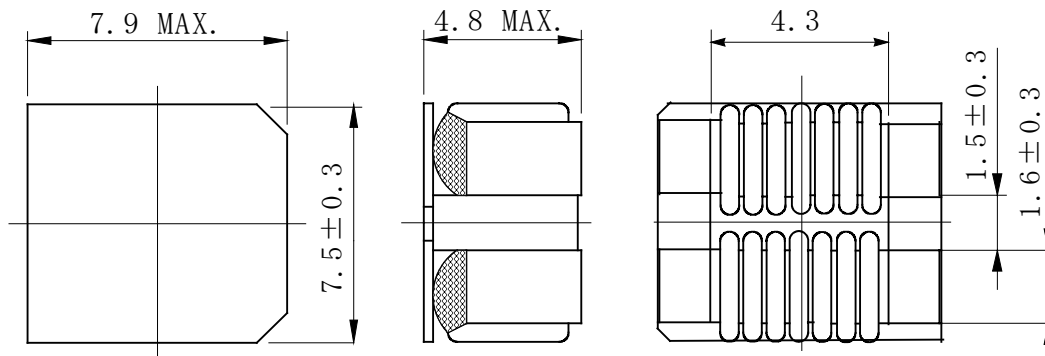
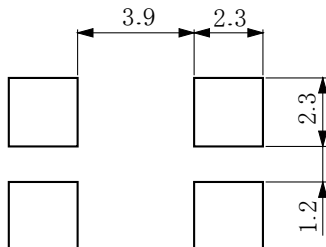
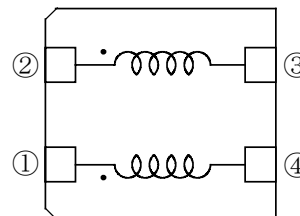


**Type: CPFC805**
**◆ Product Description**

- 7.9×7.8mm Max.(L×W), 4.8mm Max. Height .

**◆ Feature**

- High impedance in wide range of frequency.
- Ideally used in DC line noise reduction for LCD TV and PC.
- RoHS Compliance


**◆ Dimensions (mm)**

**◆ Land Pattern (mm)**

**◆ Schematics (Bottom)**


- \* Winding start is #1,#2 or #4,#3.
- \* #1 and #4,#2 and #3 : should be same polarity.

**◆ Specification**

Part Name	Stamp	Impedance ( $\Omega$ )<Min.> (1,2-3,4) 100MHz	D.C.R. (m $\Omega$ ) <Max.> (1-4),(2-3)	Rated current (1-2)(A) (3-4) shorted ※1
CPFC805-1 $\emptyset$ 0M05	M05	500	15	4.5

※ Rated current: The DC current at which the temperature rise is  $\Delta t=40^{\circ}\text{C}$ .( $T_a=20^{\circ}\text{C}$ ).