

# CS3810

## 32 QAM Demodulator



The CS3810 32 QAM broadband wireless demodulator core has been developed to provide an efficient and highly optimized solution for wireless data networks. Combined with the CS3710 32 QAM modulator core data transmission speeds of up to 155Mbps can be achieved at low error rates. The CS3810 is suited for applications areas such as point-to-point WLAN, metropolitan area networks, wireless VPN and is easily combined with the CS5200 series of AES cryptography cores to create secure high speed data links.

The CS3810 provides an integrated high performance complete baseband demodulation solution for wireless data transmission. It includes symbol and timing recovery, adaptive filtering and precise lock tracking to ensure optimal data recovery under adverse channel conditions. This includes signalling to control AGC and ADC, ensuring straight forward system integration and deployment. A combined block synchronisation scheme and error control/ correction system is included to deliver reliable data recovery. The core also includes a straightforward microprocessor interface allowing the setting of demodulation parameters and easy system integration.

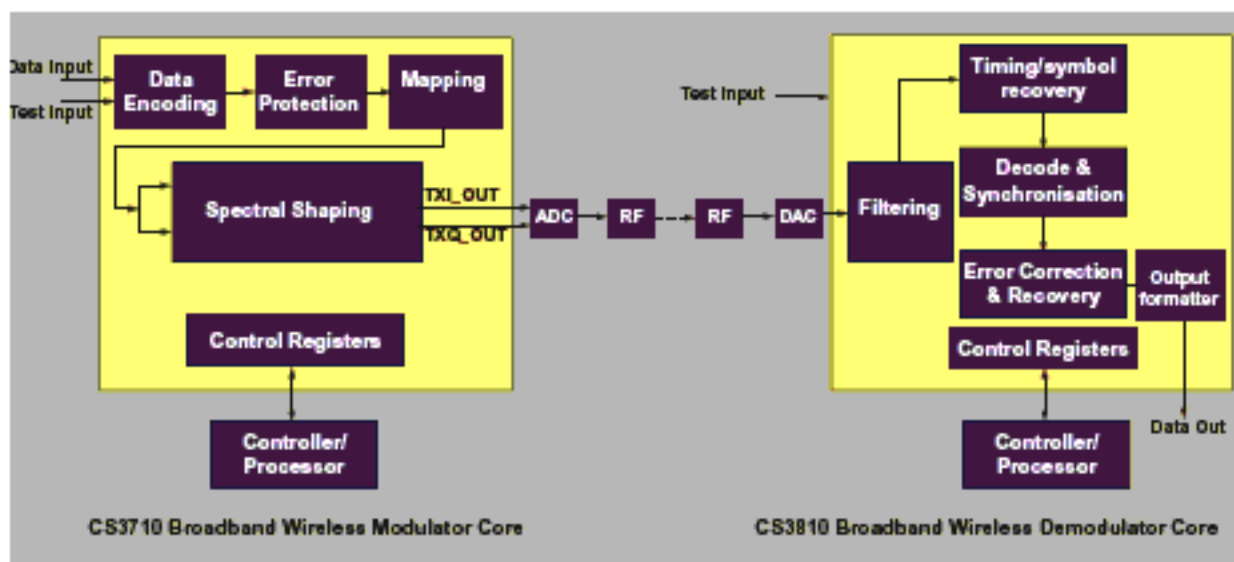


Figure 1: Block Diagram of CS3710/CS3810 Broadband Wireless Modulation/Demodulation Cores

### FEATURES

- ◆ Fully integrated Digital Baseband demodulator including timing and symbol recovery and error correction
- ◆ All digital timing and carrier recovery
- ◆ Wide carrier tracking range
- ◆ Acquisition time < 10ms.
- ◆ Internal DC offset removal
- ◆ I/Q imbalance adjustment
- ◆ Programmable equalization adaptation rate
- ◆ Residual BER better than  $10^{-12}$
- ◆ Internal FIFO for smooth data output
- ◆ Programmable carrier recovery loop constants and damping factor
- ◆ Equalizer weights read/write-able from microprocessor bus

### Forward Error Correction Features

- ◆ Low FEC overhead
- ◆ Concatenated RS-Convolutional interleaved system
- ◆ Interleaver employing the Intelsat method, with depth of 4
- ◆ Soft decision based Viterbi decoder, of constraint length K=7 (64 states)
- ◆ Input and output start of frame signals
- ◆ Internal RS correction and Viterbi re-normalization counters

### Data Framing

- ◆ Intelsat Style Frame/Superframe structure
- ◆ Superframe detection output sync signals

# CS3810 32 QAM Demodulator

## APPLICATIONS

- ◆ Wireless Metropolitan Area Network
- ◆ Wireless LAN
- ◆ Secure wireless VPN
- ◆ Broadband voice, data and video transmission

## INPUT/OUTPUT DESCRIPTION

Table 1 describes the input and output ports (shown graphically in Figure 2) of the CS3810 demodulator core. All the static programming signals can be overwritten by the microprocessor interface except for ZIFMT that is set only by the pin connection. Unless otherwise stated, all control signals and input data are clocked in and all the outputs are clocked out on the rising edge of the 74MHz clock signal (CLK), and all control signals are active high.

The overall architecture of the demodulator core is illustrated in Figure 3.

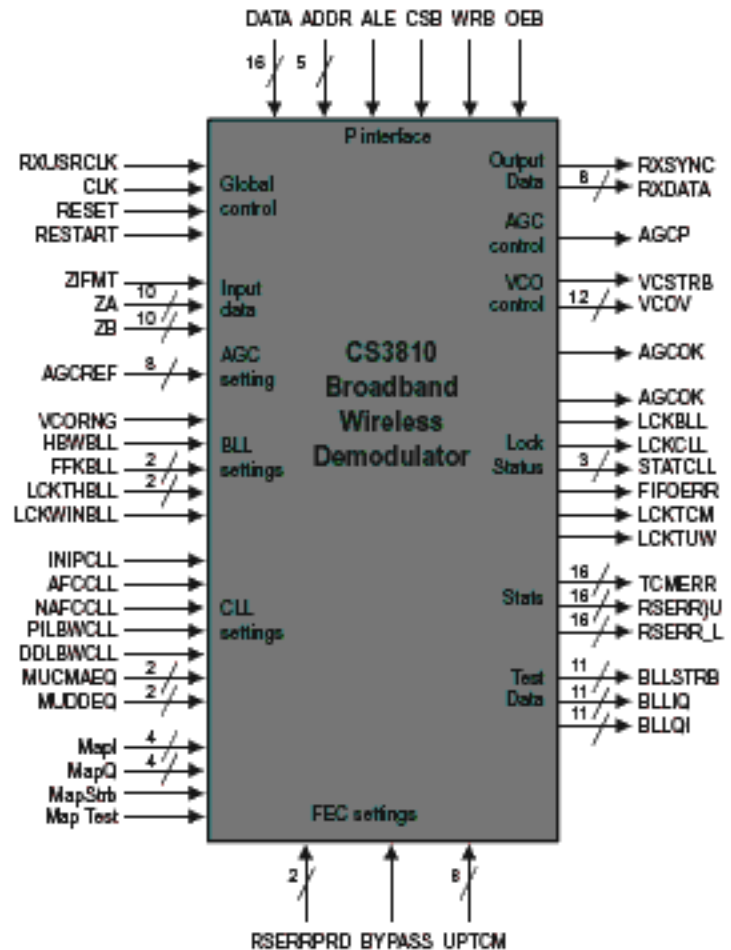


Figure 2: CS3810 Symbol

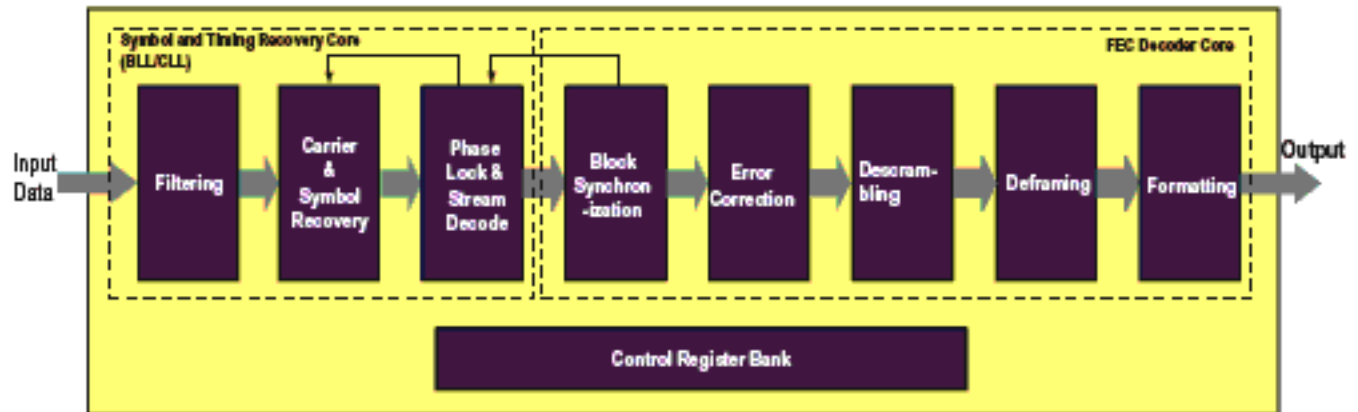


Figure 3: Block Diagram of the CS3810

Table 1: CS3810 32 QAM Demodulator Interface Signal Descriptions

Name	I/O	Width	Description
<b>GLOBAL CONTROLS</b>			
CLK	Input	1	Input clock signal, generated by VCO and phase locked to the sampling clock. Samples are clocked in and out on the rising edge
RXUSRCLK	Input	1	Output clock signal. Samples are clocked out of the demodulator FIFO on the rising edge
RESET	Input	1	Asynchronous reset, active LOW

**Table 1: CS3810 32 QAM Demodulator Interface Signal Descriptions**

Name	I/O	Width	Description
RESTART	Input	1	Synchronous reset signal, active HIGH. The BLL restart the acquisition process after it is activated. The CLL returns to idle state after RESTART and re-starts acquisition until the BLL lock is achieved.
<b>INPUT DATA</b>			
ZIFMT	Input	1	Input sample format, static programming signal 0: two's complement 1: offset binary
ZA	Input	10	Input sample A from DAC, 2x symbol rate (74MHz), format is determined by ZIFMT
ZB	Input	10	Input sample B from DAC, 2x symbol rate (74MHz), format is determined by ZIFMT
<b>AGC SETTING</b>			
AGCREF	Input	8	AGC threshold reference, static programming signal
<b>BLL SETTINGS</b>			
VCORNG	Input	1	VCO frequency range selection, static programming signal, specifying the corresponding $Df/f_0$ of the VCO when the 12-bit control signal VCOV changes from the middle to the maximal or minimal value 0: 1/8192 1: 1/4092 The actual $Df/f_0$ of the VCO may not be necessarily accurate as the specified and the BLL can still be functioning. It only affects the BLL acquisition range and speed.
HBWBLL	Input	1	Costas low pass filter H(f) gain factor selection, static programming signal 0: 1/32 1: 1/16
FFKBLL	Input	2	Frequency error low pass filter gain factor selection before the BLL lock is declared, static programming signal 00: 1/2048 01: 1/1024 10: 1/512 11: 1/256
LFFKBLL	Input	2	Frequency error low pass filter gain factor selection, after the BLL lock is declared, static programming signal 00: 1/16384 01: 1/8192 10: 1/4096 11: 1/2048
LCKTHBLL	Input	1	BLL Lock threshold selection, relative to the lock indicator value for ideal signal, static programming signal 0: 1/2 1: 1/4
LCKWINBLL	Input	1	BLL lock detection window size selection, in terms of number of 32-QAM symbols, static programming signal 0: 16384 1: 32768

**Table 1: CS3810 32 QAM Demodulator Interface Signal Descriptions**

Name	I/O	Width	Description
<b>CLL SETTINGS</b>			
INIPCLL	Input	1	CLL initial period selection, in terms of 32-QAM symbols, static programming signal, 0: 16384 1: 32768 When the BLL lock is declared, the CLL switches from idle state to initial state in which the equalizer is put into CMA mode. The CLL acquisition starts after the initial period.
AFCCLL	Input	1	Use or not use AFC for frequency offset estimate, static programming signal 0: do not use AFC 1: use AFC When AFC is not in use, the CLL uses a scan counter mechanism to estimate the frequency offset. Every time when the pull-in fails the counter is increased by one to give a new frequency offset value until the lock is achieved.
NAFCCLL	Input	1	Number of AFC computations for averaging in AFC period 0: 16 1: 64 Simulation shows that in noisy conditions selection of 64 gives more reliable frequency offset estimate
PILBWCLL	Input	1	CLL pull-in (acquisition) mode bandwidth select 0: 0.0015(55KHz) 1: 0.003(110KHz) The bandwidth is approximated based on the assumption of damping factor of 0.71
DDLBWCLL	Input	1	CLL decision-direct (tracking) mode bandwidth select 0: 0.01(370KHz) 1: 0.02(740KHz) The bandwidth is approximated based on the assumption of damping factor of 0.71
MUCMAEQ	Input	2	Equalizer m select for CMA mode 00: 1/1024 01: 1/512 10: 1/256 11: 1/128
MUDEQ	Input	2	Equalizer m select for DD LMS mode 00: 1/8192 01: 1/4096 10: 1/2048 11: 1/1024
<b>OUTPUT DATA</b>			
RXSYNC	Output	1	Output ready flag. Signals that valid output data is present at the RXDATA port
RXDATA	Output	8	Received output data port

**Table 1: CS3810 32 QAM Demodulator Interface Signal Descriptions**

Name	I/O	Width	Description
<b>ERROR CORRECTION STATISTICS</b>			
TCMERR	Output	16	Reports the number of estimated errors in the decoded IQ datastream
RSERR_U	Output	16	Reports the number of errors corrected by the Reed Solomon Decoder (upper 16 bits)
RSERR_L	Output	16	Reports the number of errors corrected by the Reed Solomon Decoder (lower 16 bits)
<b>AGC CONTROL</b>			
AGCP	Output	1	AGC width-modulated pulse with period of 256 symbols. The pulse width is proportional to the input signal level.
<b>VCO CONTROL</b>			
VCOV	Output	12	VCO control voltage, 12-bit offset-binary format, normalized according to the VCO frequency range such that the maximal value corresponds to the lowest frequency and zero corresponds to the highest frequency, updated every four symbols (9.25 MHz, 8 clock cycles)
VCSTRB	Output	1	VCO control voltage strobe, asserted for 4 cycles in every 8 clock cycles to indicate the update of VCOV
<b>ERROR CORRECTION CONTROL</b>			
RSERRPRD	Input	2	Static signal-sets the duration over which RS statistics are gathered
UPTCM	Input	8	Static signal used to control operation of TCM decoder
BYPASS	Input	1	Static signal, when asserted the TCM decoder is bypassed
<b>LOCK STATUS</b>			
AGCOK	Output	1	AGC OK indicator, asserted when the average peak sample level is within +/-15% of the ideal level
LCKBLL	Output	1	BLL lock flag, asserted when lock is declared or retained, updated once every BLL lock detection window
LCKCLL	Output	1	CLL lock flag, asserted when lock is declared or retained, updated for every output symbol (two clock cycles)
STATCLL	Output	3	CLL status, updated for every output symbol (two clock cycles) 000: idle (equalizer in initial mode, phase error set to 0) 001: initial (equalizer in CMA, phase error set to 0) 010: AFC (equalizer in CMA, estimate frequency offset) 011: DFS (equalizer in CMA, scan counter increases) 100: 4GC pull-in (equalizer in CMA, CLL 4GC pull-in) 110: DD pull-in (equalizer in CMA, CLL DD pull-in) 111: Lock (equalizer in DD, CLL DD tracking)
FIFOERROR	Output	1	When Asserted signifies the output fifo has overflowed and data has been dropped
LCKTCM	Output	1	When asserted signifies the TCM decoder has achieved lock
LCKUW	Output	1	When asserted signifies that block synchronization has been achieved

**Table 1: CS3810 32 QAM Demodulator Interface Signal Descriptions**

Name	I/O	Width	Description
<b>TEST DATA</b>			
BLLSTRB	Output	1	BLL output sample strobe, one cycle pulse every two clock cycles, indicating the peak or transition samples after BLL lock is achieved 1: peak sample 0: transition sample
BLLIQ	Output	11	BLL output sample I, two's complement format
BLLQI	Output	11	BLL output sample Q, two's complement format
MAPI	Input	4	TCM decoder test input
MAPQ	Input	4	TCM decoder test input
MapStrb	Input	1	Active strobe signal used to sample MAPI and MAPQ
MapTest	Input	1	Static signal, when asserted MAPI and MAPQ are sampled otherwise the demodulated data is decoded as normal
<b>MICROPROCESSOR INTERFACE</b>			
DATA	Tri-state	16	16-bit data bus
ADDR	Input	5	5-bit address bus
ALE	Input	1	Address latch enable
CSB	Input	1	Chip select, level sensitive and active LOW
WRB	Input	1	Write/Read control signal 0: Write 1: Read
OEB	Input	1	Output enable, level sensitive and active LOW. The demodulator drives the data bus only when both CSB and OEB are active

## DEMODULATOR OVERVIEW

The input to the demodulator may be fed directly from an A/D converter. It samples the received spectrum at double the symbol rate.

### AGC

An AGC loop is implemented with an external gain control element in order to achieve the desired receiver dynamic range and maintain proper input level to the ADC. The AGC module determines the average power of the input signal and compares it to a programmed threshold. A pulse width modulated signal is output by the AGC module. The PWM stream is externally integrated and can be used as a AGC control voltage.

### TIMING RECOVERY

The received data stream then enters the symbol timing recovery loop, which consists of resampling circuitry and filtering, crosstalk removal, IQ imbalance adjustment and a Digital Phase Locked Loop (DPLL). A combined resampling / matched filter is used to enable transfer of the input data stream from the input data domain to the symbol rate domain.

### CARRIER RECOVERY

The recovered symbol rate data then enters the carrier recovery loop of the demodulator. This consists of a de-rotation module, removal of DC crosstalk, adjustment of any I/Q imbalance, equalization and the DPLL. As the constellation of the recovered symbol rate data can still be rotating at this stage it is necessary to de-rotate this prior to equalization.

After de-rotation the symbol rate data is applied to an adaptive equaliser to remove transmission related distortions.

### TCM

The recovered symbols are fed to the 64 state TCM decoder. The user can select the puncture rate, lock thresholds or even to bypass the TCM decoder. The TCM decoder provides BER estimates which may be read via the microprocessor interface.

### REED SOLOMON DECODING

Prior to RS decoding the block boundaries are recovered. The sync detection circuitry searches for a unique word similar to the scheme employed by Intelsat IESS-308. Once locked the sync detection module also repacks the TCM output stream into 8 bit Reed Solomon symbols.

The delineated blocks are de-interleaved and Reed Solomon decoded. The corrected errors are reported and reflected on the RSERR\_U and RSERR\_L output ports during a statistics gathering period.

### DESCRAMBLING

A self synchronizing descrambler utilizing a  $2^{20}-1$  pattern operates on the data stream thus de-randomizing it to recover the original modulated input message. Data from the descrambler is written to a FIFO on the symbol rate clock and output on RXDATA on the rising edge of the RXUSRCLK.

### LOCK INDICATION

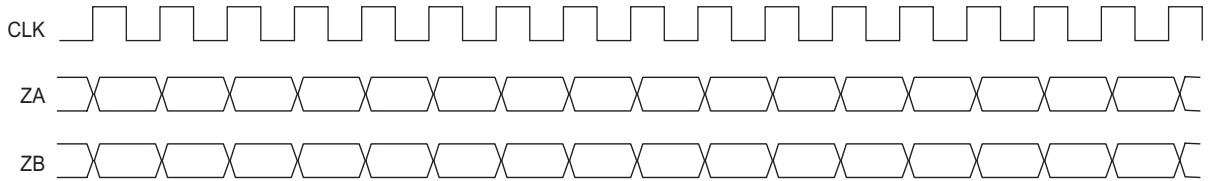
A number of lock indicators are provided as status registers bits to enable the overall synchronisation status of the demodulator to be monitored. These are:

- Symbol timing recovery loop lock
- Carrier recovery loop lock
- TCM decoder synchronized
- Unique word sync detection lock

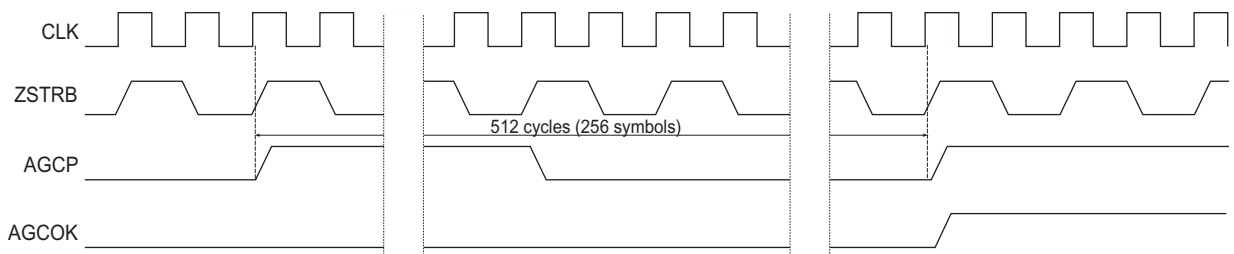
## TIMING CHARACTERISTICS

The programming signals are assumed to be static, i.e., they do not change during normal operation process. The microprocessor interface signals have been described in the

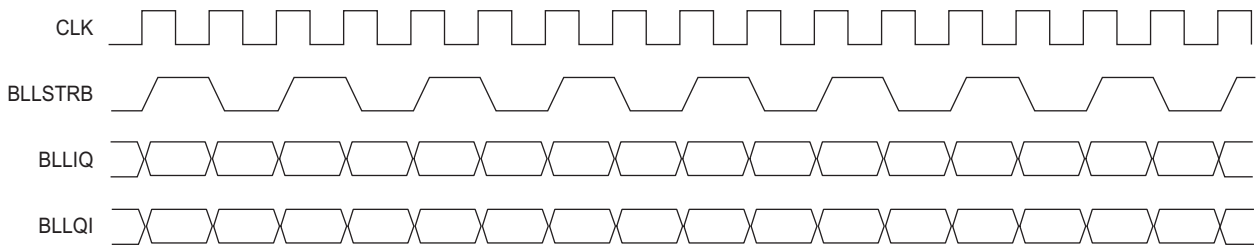
previous section. The timing diagrams of the other signals are provided below, with reference to the clock and output sample strobe signals.



**Figure 4: Input Data Timing**



**Figure 5: AGC Control Timing**

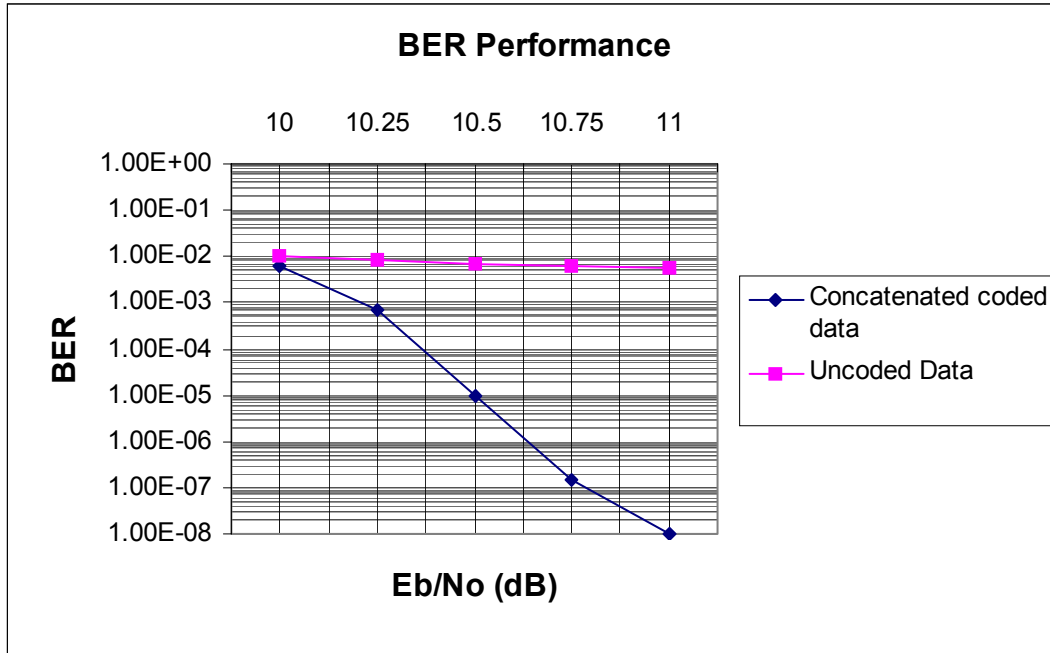


**Figure 6: Test Data Timing**



## PERFORMANCE

Figure 7 demonstrates the over all error correction performance of the Concatenated correction system employed by the decoder (under AWGN conditions).



**Figure 7: Error Correction Performance**

The demodulator acquisition performance is presented in shown in Table 2

**Table 2: Demodulator Acquisition Performance**

Metric	Performance
Carrier acquisition range	± 600KHz
Symbol acquisition range	>± 140ppm of baud rate
Carrier tracking range	± 600KHz
Typical acquisition time	< 10 mS

## PERFORMANCE AND DENSITY METRICS

### PROGRAMMABLE LOGIC CORES - DENSITY METRICS

For ASIC prototyping or for projects requiring fast time-to-market of a programmable logic solution, Amphion programmable logic cores offer the silicon-aware performance tuning found in all Amphion products, combined with the rapid design times offered by today's leading programmable logic solutions.

The following performance and density metrics has been obtained when the demodulator core is implemented as a stand-alone design in the device specified below. It should be noted that if the function is implemented on different FPGA devices, or combined with additional logic in larger devices, then additional constraints might need to be applied to achieve the similar metrics.

Note that the metrics are provided for demodulation (Table 3) and channel decoding (Table 4) separately.

**Table 3: CS3810 FEC Decoder Programmable Logic Core - Altera**

DEVICE	SILICON VENDOR	AREA	MEMORY REQUIREMENT	CRITICAL PATH (TXUSRXLK)	CRITICAL PATH (CLK74M)
APEX20KC-7	Altera	10044 LEs	34 ESBs	56.82 MHz (17.6 ns)	75.76 MHz (13.2 ns)

**Table 4: CS3810 Symbol & Timing Recovery Programmable Logic Core - Altera**

DEVICE	SILICON VENDOR	AREA	MEMORY REQUIREMENT	CRITICAL PATH (CLK74M)
APEX20KC-7	Altera	11276 LEs	24 ESBs	74.63 MHz (13.4 ns)

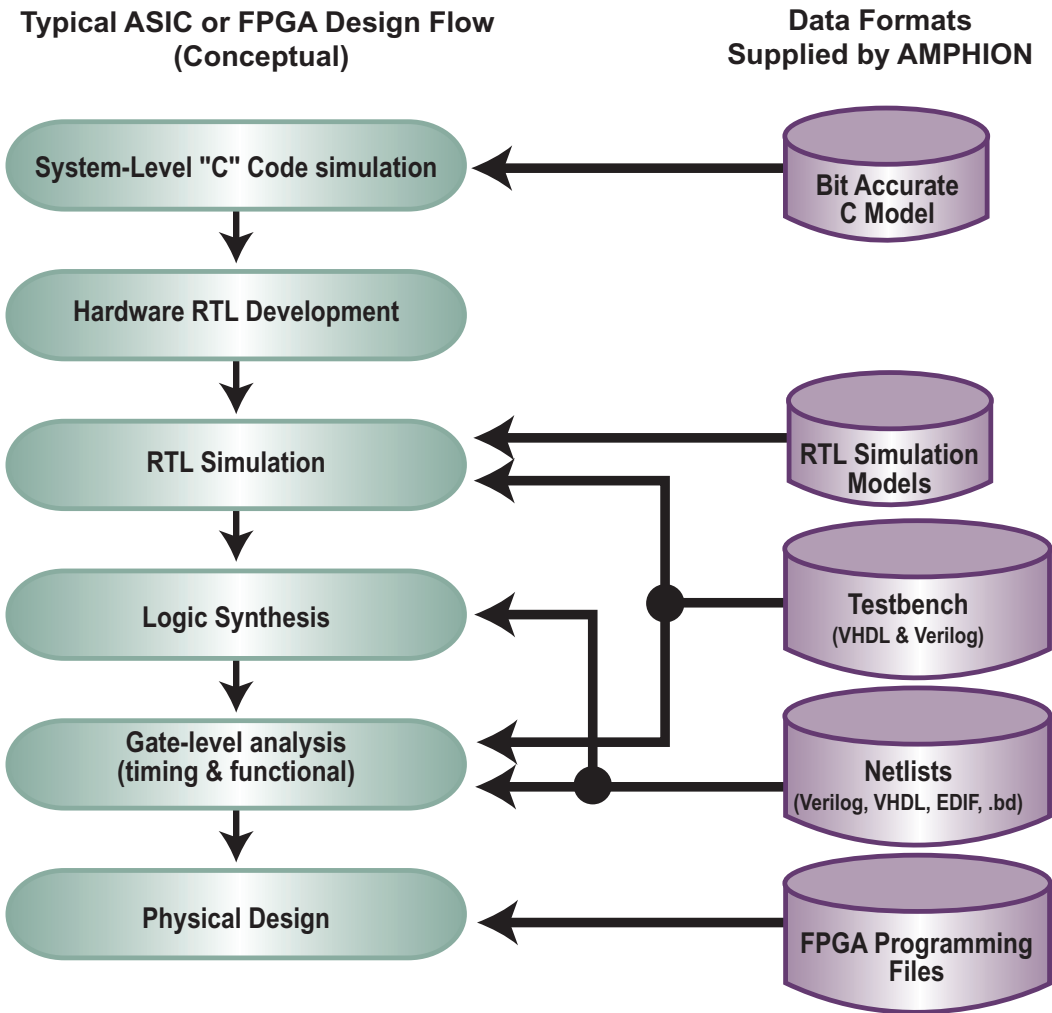


Figure 8: Design Data Formats Supplied by Amphion

## ABOUT AMPHION

Amphion (formerly Integrated Silicon Systems) is the leading supplier of speech coding, video/image processing and channel coding application specific silicon cores for system-on-a-chip (SoC) solutions in the broadband, wireless, and multimedia markets

**Web:** [www.amphion.com](http://www.amphion.com)

**Email:** [info@amphion.com](mailto:info@amphion.com)

## CORPORATE HEADQUARTERS

Amphion Semiconductor Ltd  
50 Malone Road  
Belfast BT9 5BS  
Northern Ireland, UK

Tel: +44 28 9050 4000

Fax: +44 28 9050 4001

## EUROPEAN SALES

Amphion Semiconductor Ltd  
CBXII, West Wing  
382-390 Midsummer Boulevard  
Central Milton Keynes  
MK9 2RG England, UK

Tel: +44 1908 847109

Fax: +44 1908 847580

## WORLDWIDE SALES & MARKETING

Amphion Semiconductor, Inc  
2001 Gateway Place, Suite 130W  
San Jose, CA 95110

Tel: (408) 441 1248

Fax: (408) 441 1239

## CANADA & EAST COAST US SALES

Amphion Semiconductor, Inc  
Montreal  
Quebec  
Canada

Tel: (450) 455 5544

Fax: (450) 455 5543

---

## SALES AGENTS

### Voyageur Technical Sales Inc

1 Rue Holiday  
Tour Est, Suite 501  
Point Claire, Quebec  
Canada H9R 5N3

Tel: (905) 672 0361

Fax: (905) 677 4986

### Phoenix Technologies Ltd

3 Gavish Street  
Kfar-Saba, 44424  
Israel

Tel: +972 9 7644 800

Fax: +972 9 7644 801

### SPINNAKER SYSTEMS INC

Hatchobori SF Bldg. 5F 3-12-8  
Hatchobori, Chuo-ku  
Tokyo 104-0033 Japan

Tel: +81 3 3551 2275

Fax: +81 3 3351 2614

### JASONTECH, INC

Hansang Building, Suite 300  
Bangyidong 181-3, Songpaku  
Seoul Korea 138-050

Tel: +82 2 420 6700

Fax: +82 2 420 8600

### SPS-DA PTE LTD

21 Science Park Rd  
#03-19 The Aquarius  
Singapore Science Park II  
Singapore 117628

Tel: +65 774 9070

Fax: +65 774 9071