

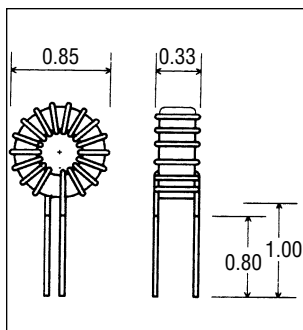
CTP4407 is a medium current inductor with the following data and features:

- **Core type:** 0.68" o.d., Iron Powder, perm 75.
  - **Power rating:** 0.86 watts for temp. rise 50°C.
  - **Typical applications:** Input and output filters in Switch Mode Power Supplies.
- Four mounting styles are offered:**
- 1 Flying leads (1.00"), for vertical or horizontal mounting.
  - 2 4-pin header, for vertical mounting.
  - 3 Threaded center hole, flying leads (2.00").
  - 4 2-pin header, for vertical mounting.

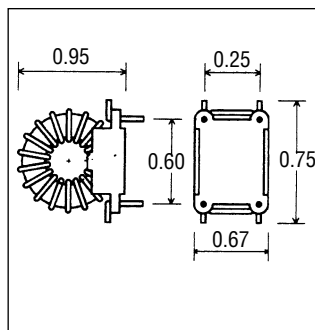


### MECHANICAL

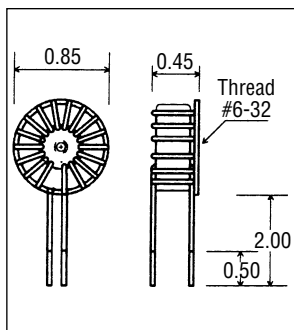
Style 1



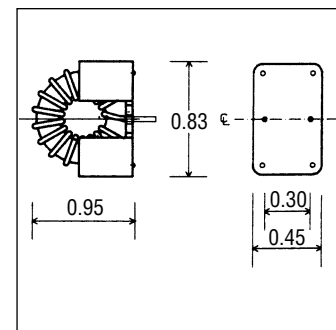
Style 2



Style 3



Style 4



### ELECTRICAL SPECIFICATION

**Ordering Information:** Substitute the style number for the asterisk (\*). Example: CTP4407, Style 1, 56uH. Order: CTP4407 - 116

Part No. CTP4407 -	Inductance (uH)	DCR Ohms	Rated Current Amp. RMS	I (amp.) @ Lsat. 10%	I (amp.) @ Lsat. 25%	I (amp.) @ Lsat. 50%
* 01	3.3	0.006	12.2	5.7	11.4	22.9
* 02	3.9	0.006	11.8	5.3	10.5	21.0
* 03	4.7	0.007	11.3	4.8	9.6	19.2
* 04	5.6	0.007	10.8	4.4	8.8	17.5
* 05	6.8	0.008	10.3	4.0	8.0	15.9
* 06	8.2	0.009	9.9	3.6	7.2	14.5
* 07	10	0.010	9.4	3.3	6.6	13.1
* 08	12	0.011	9.0	3.0	6.0	12.0
* 09	15	0.012	8.6	2.7	5.4	10.7
* 10	18	0.013	8.2	2.4	4.9	9.8
* 11	22	0.014	7.8	2.2	4.4	8.9
* 12	27	0.016	7.4	2.0	4.0	8.0
* 13	33	0.017	7.1	1.8	3.6	7.2
* 14	39	0.019	6.8	1.7	3.3	6.6
* 15	47	0.026	5.8	1.5	3.0	6.1
* 16	56	0.028	5.5	1.4	2.8	5.5
* 17	68	0.039	4.7	1.3	2.5	5.0
* 18	82	0.054	4.0	1.1	2.3	4.6
* 19	100	0.075	3.4	1.0	2.1	4.2
* 20	120	0.104	2.9	0.9	1.9	3.8
* 21	150	0.147	2.4	0.8	1.7	3.4
* 22	180	0.161	2.3	0.8	1.5	3.1
* 23	220	0.222	2.0	0.7	1.4	2.8
* 24	270	0.312	1.7	0.6	1.3	2.5

CTP4407