



THE SMALL SCREEN VERTICAL DEFLECTION DRIVER

D7231

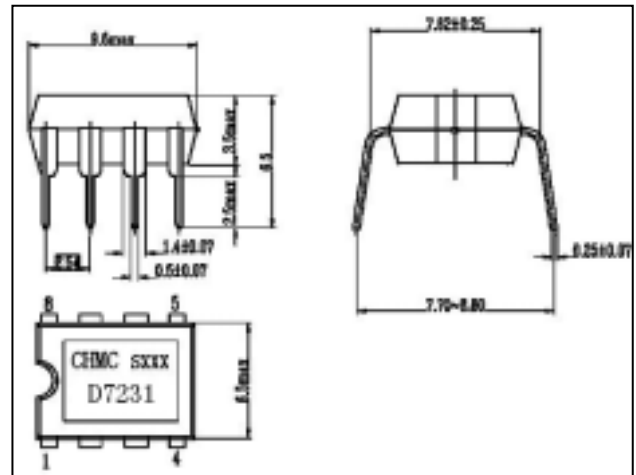
DESCRIPTION

The D7231 is a monolithic integrated circuit in 4 + 4 lead minidip package. It is intended for use in black and white TV receivers and monitors and also use as class AB power amplifier with wide range of supply voltage in portable radios, cassette recorders and players, etc.

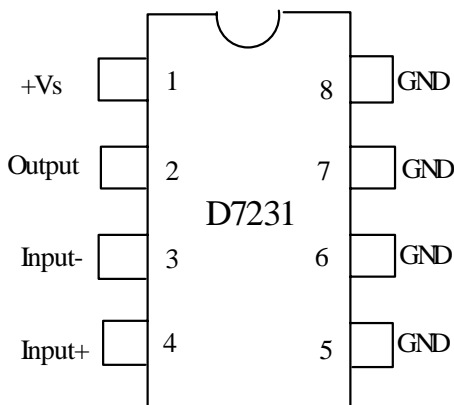
FEATURE

- Operating Voltage 1.8 To 15 V
- Low Quiescent Current
- High Power Capability
- Low Crossover Distortion
- Soft Clipping

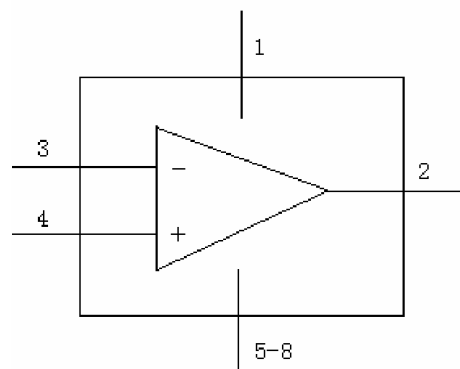
Outline Drawing



PIN CONNECTION



BLOCK DIAGRAM



ABSOLUTE MAXIMUM RATINGS (Ta=25°C)

Characteristic		Symbol	Value	Unit
Supply Voltage		V _{CC}	16	V
Total Power Dissipation	T _{amb} =50°C	P _D	1.25	W
	T _{amb} =70°C		4	
Output Peak Current		I _O	1	A
Storage and Junction Temperature		T _{stg} , T _j	-40~150	°C

THERMAL DATA

Characteristic		Symbol	Value	Unit
Thermal Resistance Junction-ambient	max.	R _{th j-amb}	80	°C/W
Thermal Resistance Junction-pins	max.	R _{th j-pins}	15	°C/W

ELECTRICAL CHARACTERISTICS

(Unless otherwise specified: Ta=25°C, V_{CC}=6V)

Characteristics	Symbol	Test conditions	Min	Typ	Max	Unit
Supply Voltage	V _{CC}		1.8		15	V
Quiescent Output Voltage	V _O	V _{CC} =6V		2.7		V
		V _{CC} =3V		1.2		
Quiescent Drain Current	I _D			3.6	9	mA
Input Bias Current	I _B			100		nA
Output Sturation Voltage	V _{sat1}	I _O =100mA			0.5	V
	V _{sat2}	I _O =-100mA			1.0	
Distortion	THD	P _O =0.2W, f=1kHz, R _L =8Ω		0.3		%
Closed Loop Voltage Gain	G _v			38		dB
Input Resistance	R _{in}	f=1kHz	100			kΩ
Total Input Noise	e _N	R _S =10kΩ	B=Curve A		2	μV
			B=22Hz~22kHz		3	
Supply Voltage Rejection	SVR	R _g =10kΩ, f=100Hz	24	30		dB

TEST CIRCUIT and APPLICATION CIRCUIT

